

Hook clamps ground, Form A

Item description/product images



Description

Material:

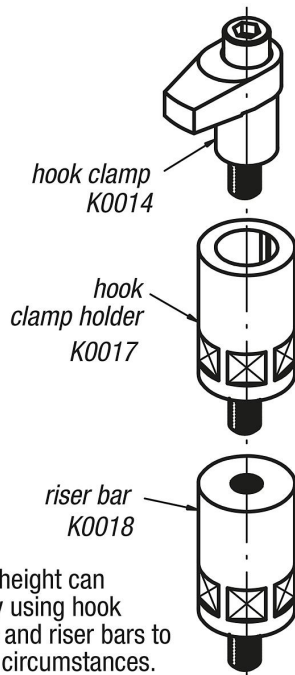
Carbon steel, tempered.

Version:

Black oxidised. Shaft OD ground.

Note:

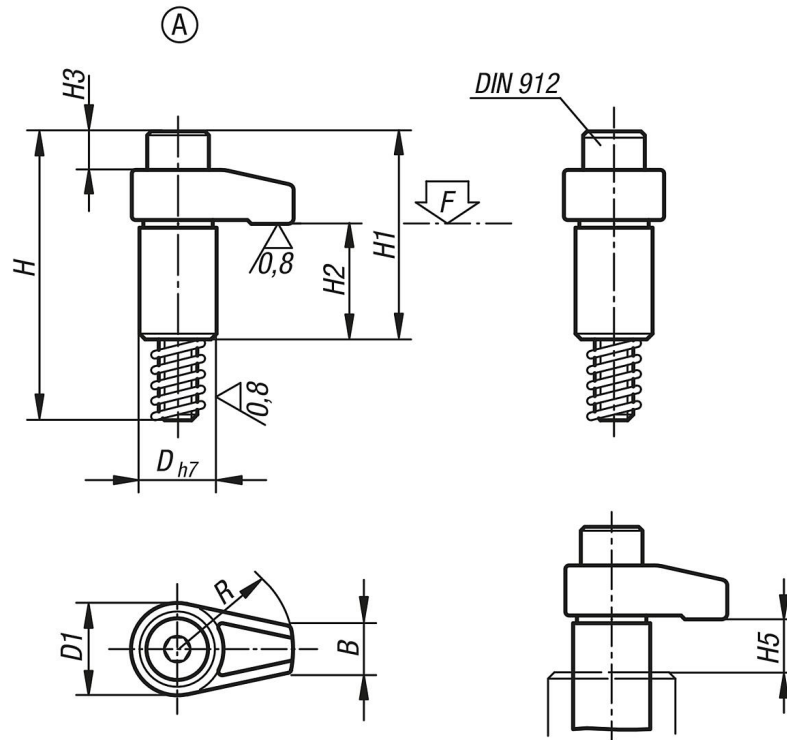
The stated clamping forces (F max.) and tightening torques are valid within the stated clamping ranges (H5).



The clamping height can be adjusted by using hook clamp holders and riser bars to suit individual circumstances.

Hook clamps ground, Form A

Drawings



Overview of items

Order No.	Form	D	D1	H	H1	H2	H3	H4	H5 max. clamping range	B	R	Socket head screw DIN 912	Tightening torque max. Nm	F max. kN
K0014.110030	A	20	25	75	54	30	9	10	12	12	30	M10x65	37,2	13
K0014.110040	A	20	25	75	54	30	9	10	12	12	40	M10x65	31,4	9,8