

Ring bolts DIN 580

Item description/product images



Description

Material:

1.1141 steel, 1.4301 stainless steel or 1.4401 stainless steel.

Version:

drop forged.

Note:

For high demand hoisting and carrying tasks in safety-relevant areas (machine construction, load handling equipment, lifting tackle).

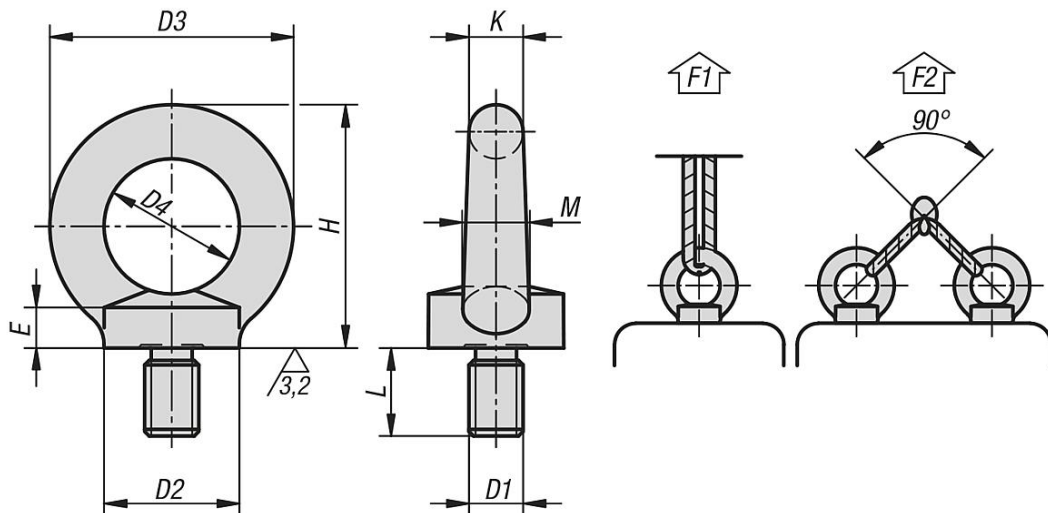
The CE mark is impressed into the ring bolt.

F2 permissible load under max. 45° per ring bolt.

On request:

Certificate of conformity.

Drawings



Overview of items

Ring bolts DIN 580

Order No.	Main material	Steel code	Surface finish body	D1	L	D2	D3	D4	E	H	K	M	F1 max. kN	F2 max. kN
K0767.08	steel	1.1141	bright	M8	13	20	36	20	6	36	8	10	1,4	0,95
K0767.10	steel	1.1141	bright	M10	17	25	45	25	8	45	10	12	2,3	1,7
K0767.12	steel	1.1141	bright	M12	20,5	30	54	30	10	53	12	14	3,4	2,4
K0767.16	steel	1.1141	bright	M16	27	35	63	35	12	62	14	16	7	5
K0767.20	steel	1.1141	bright	M20	30	40	72	40	14	71	16	19	12	8,3
K0767.24	steel	1.1141	bright	M24	36	50	90	50	18	90	20	24	18	12,7
K0767.008	steel	1.1141	galvanised	M8	13	20	36	20	6	36	8	10	1,4	0,95
K0767.010	steel	1.1141	galvanised	M10	17	25	45	25	8	45	10	12	2,3	1,7
K0767.012	steel	1.1141	galvanised	M12	20,5	30	54	30	10	53	12	14	3,4	2,4
K0767.016	steel	1.1141	galvanised	M16	27	35	63	35	12	62	14	16	7	5
K0767.020	steel	1.1141	galvanised	M20	30	40	72	40	14	71	16	19	12	8,3
K0767.024	steel	1.1141	galvanised	M24	36	50	90	50	18	90	20	24	18	12,7
K0767.108	stainless steel	1.4301	-	M8	13	20	36	20	6	36	8	10	1,4	0,95
K0767.110	stainless steel	1.4301	-	M10	17	25	45	25	8	45	10	12	2,3	1,7

Ring bolts DIN 580

Overview of items

Order No.	Main material	Steel code	Surface finish body	D1	L	D2	D3	D4	E	H	K	M	F1 max. kN	F2 max. kN
K0767.112	stainless steel	1.4301	-	M12	20,5	30	54	30	10	53	12	14	3,4	2,4
K0767.116	stainless steel	1.4301	-	M16	27	35	63	35	12	62	14	16	7	5
K0767.120	stainless steel	1.4301	-	M20	30	40	72	40	14	71	16	19	12	8,3
K0767.124	stainless steel	1.4301	-	M24	36	50	90	50	18	90	20	24	18	12,7
K0767.208	stainless steel	1.4401	-	M8	13	20	36	20	6	36	8	10	1,4	0,95
K0767.210	stainless steel	1.4401	-	M10	17	25	45	25	8	45	10	12	2,3	1,7
K0767.212	stainless steel	1.4401	-	M12	20,5	30	54	30	10	53	12	14	3,4	2,4
K0767.216	stainless steel	1.4401	-	M16	27	35	63	35	12	62	14	16	7	5
K0767.220	stainless steel	1.4401	-	M20	30	40	72	40	14	71	16	19	12	8,3
K0767.224	stainless steel	1.4401	-	M24	36	50	90	50	18	90	20	24	18	12,7