

T-thrust screws with fixed or sliding T-bar, DIN 6304 or DIN 6306

Item description/product images

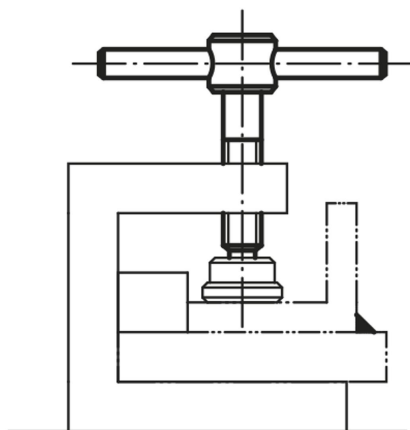


Description

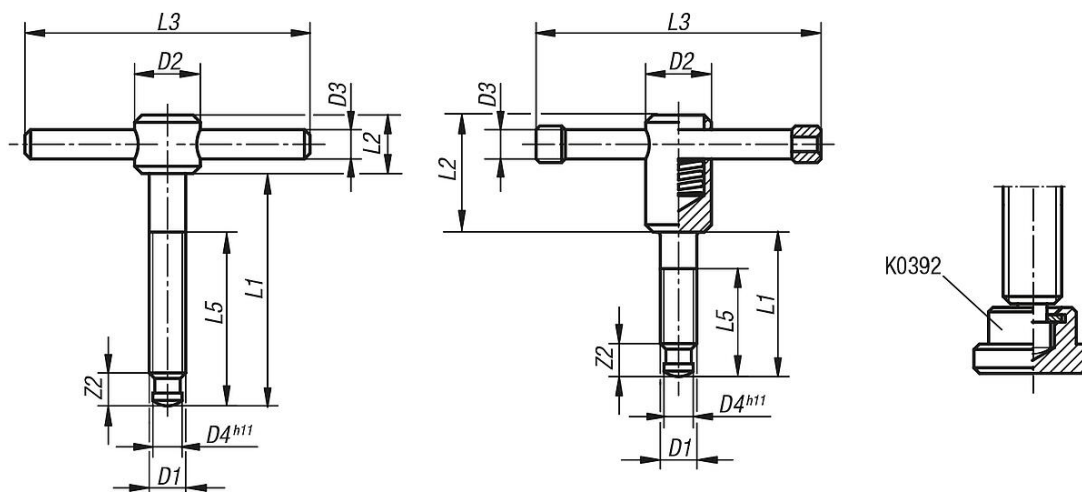
Material:
Steel.

Version:
Black oxidised. Thrust pin hardened.

Note:
By the thrust screws with sliding T-bar the bar is held in any desired position by a spring in the body. End stops prevent the bar falling out. By the fixed handles the T-bar is pressed in.



Drawings



Overview of items

T-thrust screws with fixed or sliding T-bar, DIN 6304 or DIN 6306

Order No.	Version 1	D1	D2	D3	D4	L1	L2	L3	L5	Z2
K0756.106X40	fixed t-bar	M6	12	5	4,5	40	10	50	30	6
K0756.106X50	fixed t-bar	M6	12	5	4,5	50	10	50	40	6
K0756.108X50	fixed t-bar	M8	14	6	6	50	12	60	35	7,5

T-thrust screws with fixed or sliding T-bar, DIN 6304 or DIN 6306

Overview of items

Order No.	Version 1	D1	D2	D3	D4	L1	L2	L3	L5	Z2
K0756.108X60	fixed t-bar	M8	14	6	6	60	12	60	45	7,5
K0756.110X60	fixed t-bar	M10	18	8	8	60	14	80	40	9
K0756.110X70	fixed t-bar	M10	18	8	8	70	14	80	50	9
K0756.112X70	fixed t-bar	M12	20	10	8	70	18	100	50	10
K0756.112X80	fixed t-bar	M12	20	10	8	80	18	100	60	10
K0756.116X75	fixed t-bar	M16	24	12	12	75	20	120	55	12
K0756.116X90	fixed t-bar	M16	24	12	12	90	20	120	70	12
K0756.116X110	fixed t-bar	M16	24	12	12	110	20	120	90	12
K0756.120X75	fixed t-bar	M20	30	16	15,5	75	28	140	55	14
K0756.120X90	fixed t-bar	M20	30	16	15,5	90	28	140	70	14
K0756.120X110	fixed t-bar	M20	30	16	15,5	110	28	140	90	14
K0756.210X40	sliding t-bar	M10	18	8	8	40	32	80	30	9
K0756.210X50	sliding t-bar	M10	18	8	8	50	32	80	40	9
K0756.212X50	sliding t-bar	M12	20	10	8	50	35	100	40	10
K0756.212X60	sliding t-bar	M12	20	10	8	60	35	100	50	10
K0756.216X55	sliding t-bar	M16	24	13	12	55	40	120	45	12
K0756.216X70	sliding t-bar	M16	24	13	12	70	40	120	60	12
K0756.216X90	sliding t-bar	M16	24	13	12	90	40	120	80	12
K0756.220X55	sliding t-bar	M20	30	16	15,5	55	45	140	45	14
K0756.220X70	sliding t-bar	M20	30	16	15,5	70	45	140	60	14
K0756.220X90	sliding t-bar	M20	30	16	15,5	90	45	140	80	14