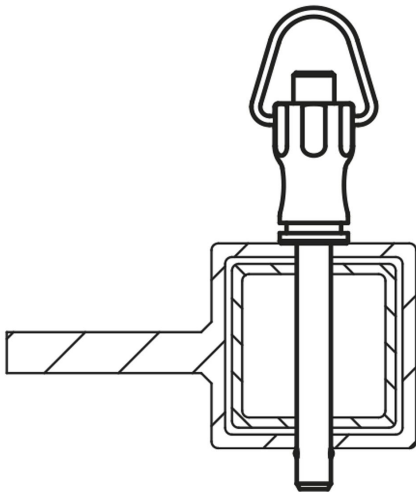


## Ball lock pins

### Item description/product images



### Description

#### Material:

Grip and push button stainless steel 1.4305.

Pin stainless steel 1.4305.

Balls stainless steel 1.4125.

Compression spring stainless steel 1.4310.

#### Version:

Bright.

#### Note:

Ball lock pins are used for easy fastening or joining of components.

The two balls are disengaged by pressing the push button and the pin can be slipped into holes in the workpieces. When the push button is released, the balls lock the connection securely.

Shear force double shear (F) = S · τ aB max.

The values given for the shear force are the theoretical breaking load.

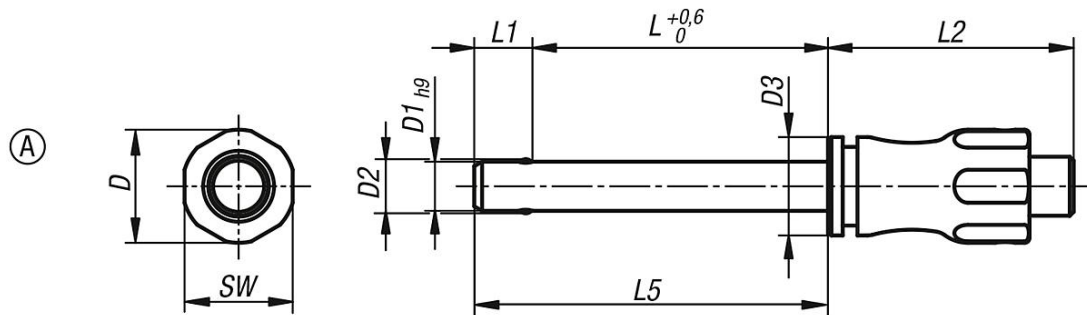
These are non-binding reference values without consideration of safety factors and exclude any liability. The values given are for information purposes only and do not constitute a legally binding assurance of properties.

The load values have been calculated in accordance with DIN 50141. Each user must determine individually whether the ball lock pin is suitable for the respective application.

Different materials in which the ball lock pins are used, weather conditions and wear can influence the determined values.

## Ball lock pins

### Drawings



### Overview of items

Order No.	Form	D	D1	D2	D3	L	L1	L2	L5	SW	Receiving hole H11	Shearing force double shear max.kN
K0790.001205010	A	11,5	5	5,5	10	10	5,9	25	15,9	11	5	15
K0790.001205015	A	11,5	5	5,5	10	15	5,9	25	20,9	11	5	15
K0790.001205020	A	11,5	5	5,5	10	20	5,9	25	25,9	11	5	15
K0790.001205025	A	11,5	5	5,5	10	25	5,9	25	30,9	11	5	15
K0790.001205030	A	11,5	5	5,5	10	30	5,9	25	35,9	11	5	15
K0790.001206010	A	11,5	6	6,85	10	10	6,8	25	16,8	11	6	22
K0790.001206015	A	11,5	6	6,85	10	15	6,8	25	21,8	11	6	22
K0790.001206020	A	11,5	6	6,85	10	20	6,8	25	26,8	11	6	22
K0790.001206025	A	11,5	6	6,85	10	25	6,8	25	31,8	11	6	22
K0790.001206030	A	11,5	6	6,85	10	30	6,8	25	36,8	11	6	22
K0790.001206035	A	11,5	6	6,85	10	35	6,8	25	41,8	11	6	22
K0790.001206040	A	11,5	6	6,85	10	40	6,8	25	46,8	11	6	22
K0790.001206045	A	11,5	6	6,85	10	45	6,8	25	51,8	11	6	22
K0790.001206050	A	11,5	6	6,85	10	50	6,8	25	56,8	11	6	22
K0790.001508020	A	15,5	8	9,5	13,5	20	7,8	33	27,8	15	8	38
K0790.001508025	A	15,5	8	9,5	13,5	25	7,8	33	32,8	15	8	38
K0790.001508030	A	15,5	8	9,5	13,5	30	7,8	33	37,8	15	8	38
K0790.001508035	A	15,5	8	9,5	13,5	35	7,8	33	42,8	15	8	38
K0790.001508040	A	15,5	8	9,5	13,5	40	7,8	33	47,8	15	8	38
K0790.001508045	A	15,5	8	9,5	13,5	45	7,8	33	52,8	15	8	38
K0790.001508050	A	15,5	8	9,5	13,5	50	7,8	33	57,8	15	8	38
K0790.001510020	A	15,5	10	12	13,5	20	8,9	33	28,9	15	10	60
K0790.001510025	A	15,5	10	12	13,5	25	8,9	33	33,9	15	10	60
K0790.001510030	A	15,5	10	12	13,5	30	8,9	33	38,9	15	10	60
K0790.001510035	A	15,5	10	12	13,5	35	8,9	33	43,9	15	10	60
K0790.001510040	A	15,5	10	12	13,5	40	8,9	33	48,9	15	10	60
K0790.001510045	A	15,5	10	12	13,5	45	8,9	33	53,9	15	10	60
K0790.001510050	A	15,5	10	12	13,5	50	8,9	33	58,9	15	10	60
K0790.001510060	A	15,5	10	12	13,5	60	8,9	33	68,9	15	10	60
K0790.002112025	A	22	12	14,5	20	25	9,9	39,5	34,9	21	12	86
K0790.002112030	A	22	12	14,5	20	30	9,9	39,5	39,9	21	12	86
K0790.002112035	A	22	12	14,5	20	35	9,9	39,5	44,9	21	12	86
K0790.002112040	A	22	12	14,5	20	40	9,9	39,5	49,9	21	12	86
K0790.002112045	A	22	12	14,5	20	45	9,9	39,5	54,9	21	12	86
K0790.002112050	A	22	12	14,5	20	50	9,9	39,5	59,9	21	12	86
K0790.002112060	A	22	12	14,5	20	60	9,9	39,5	69,9	21	12	86
K0790.002112070	A	22	12	14,5	20	70	9,9	39,5	79,9	21	12	86
K0790.002112080	A	22	12	14,5	20	80	9,9	39,5	89,9	21	12	86
K0790.002116030	A	22	16	19	20	30	13,1	39,5	43,1	21	16	153
K0790.002116035	A	22	16	19	20	35	13,1	39,5	48,1	21	16	153
K0790.002116040	A	22	16	19	20	40	13,1	39,5	53,1	21	16	153
K0790.002116045	A	22	16	19	20	45	13,1	39,5	58,1	21	16	153
K0790.002116050	A	22	16	19	20	50	13,1	39,5	63,1	21	16	153
K0790.002116060	A	22	16	19	20	60	13,1	39,5	73,1	21	16	153
K0790.002116070	A	22	16	19	20	70	13,1	39,5	83,1	21	16	153

## Ball lock pins

### Overview of items

Order No.	Form	D	D1	D2	D3	L	L1	L2	L5	SW	Receiving hole H11	Shearing force double shear max.kN
K0790.002116080	A	22	16	19	20	80	13,1	39,5	93,1	21	16	153