

Star grips similar to DIN 6336 metal parts stainless steel

Item description/product images



Description

Material:

Thermoset PF 31, black.

Bushing or threaded pin stainless steel 1.4301.

Version:

High-gloss polished.

On request:

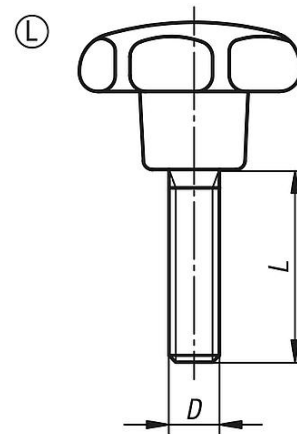
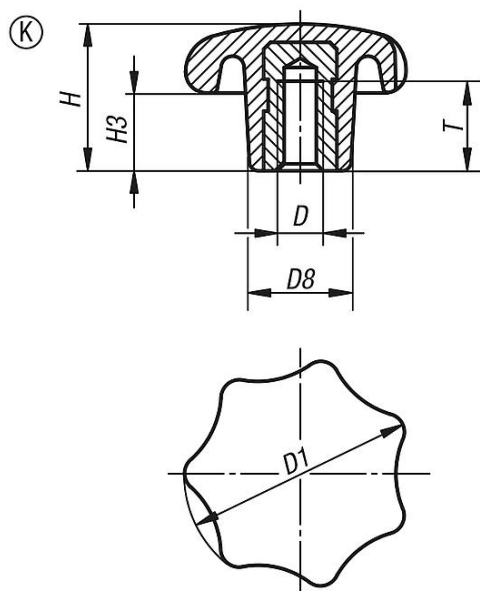
Other colours.

Drawing reference:

Form K: tapped bush

Form L: external thread

Drawings



Overview of items

Star grips similar to DIN 6336 metal parts stainless steel

Order No.	Form	Component material	D	D1	D8	H	H3	L	T
K1016.22505	K	stainless steel	M5	25	12	16	8	-	7,5
K1016.23206	K	stainless steel	M6	32	14	20	10	-	12
K1016.24008	K	stainless steel	M8	40	18	25	13	-	14
K1016.25010	K	stainless steel	M10	50	22	32	17	-	18
K1016.26312	K	stainless steel	M12	63	26	40	21	-	22
K1016.28016	K	stainless steel	M16	80	35	50	25	-	24
K1016.42505X15	L	stainless steel	M5	25	12	16	8	15	-
K1016.42505X20	L	stainless steel	M5	25	12	16	8	20	-
K1016.42505X25	L	stainless steel	M5	25	12	16	8	25	-
K1016.43206X15	L	stainless steel	M6	32	14	20	10	15	-
K1016.43206X20	L	stainless steel	M6	32	14	20	10	20	-
K1016.43206X25	L	stainless steel	M6	32	14	20	10	25	-
K1016.43206X30	L	stainless steel	M6	32	14	20	10	30	-

Star grips similar to DIN 6336 metal parts stainless steel

Overview of items

Order No.	Form	Component material	D	D1	D8	H	H3	L	T
K1016.43206X40	L	stainless steel	M6	32	14	20	10	40	-
K1016.44008X20	L	stainless steel	M8	40	18	25	13	20	-
K1016.44008X25	L	stainless steel	M8	40	18	25	13	25	-
K1016.44008X30	L	stainless steel	M8	40	18	25	13	30	-
K1016.44008X40	L	stainless steel	M8	40	18	25	13	40	-
K1016.44008X50	L	stainless steel	M8	40	18	25	13	50	-
K1016.45010X25	L	stainless steel	M10	50	22	32	17	25	-
K1016.45010X30	L	stainless steel	M10	50	22	32	17	30	-
K1016.45010X40	L	stainless steel	M10	50	22	32	17	40	-
K1016.45010X50	L	stainless steel	M10	50	22	32	17	50	-
K1016.46312X30	L	stainless steel	M12	63	26	40	21	30	-
K1016.46312X40	L	stainless steel	M12	63	26	40	21	40	-
K1016.46312X50	L	stainless steel	M12	63	26	40	21	50	-
K1016.46312X60	L	stainless steel	M12	63	26	40	21	60	-
K1016.48016X30	L	stainless steel	M16	80	35	50	25	30	-
K1016.48016X40	L	stainless steel	M16	80	35	50	25	40	-
K1016.48016X50	L	stainless steel	M16	80	35	50	25	50	-
K1016.48016X60	L	stainless steel	M16	80	35	50	25	60	-