

## Indexing plungers, steel or stainless steel without collar, with stainless steel pull ring

Item description/product images



### Description

#### Material:

Steel version

Indexing pin hardened:  
grade 5.8.

Stainless steel version

Indexing pin hardened:  
Threaded sleeve 1.4305.  
Indexing pin 1.4034.

Indexing pin not hardened:  
Threaded sleeve 1.4305.  
Indexing pin 1.4305.

Key ring 1.4310, bright.

#### Version:

Steel version:

Indexing pin hardened, ground, black oxidised.

Stainless steel version:

Indexing pin hardened, ground and bright.

Indexing pin not hardened, ground and bright.

#### Note:

Indexing plungers are used to prevent any change in locking position due to lateral forces. A new locking position can only be set after the pin has been disengaged. The key ring is also suitable for actuation of the indexing plungers e.g. automatically (program-controlled) with the aid of a pneumatic cylinder or remote control with bowden cables.

A screw-in washer can be supplied to help screw in the indexing plungers. The washer is fitted onto the threaded sleeve so that the carrier pins engage in the slot.

#### On request:

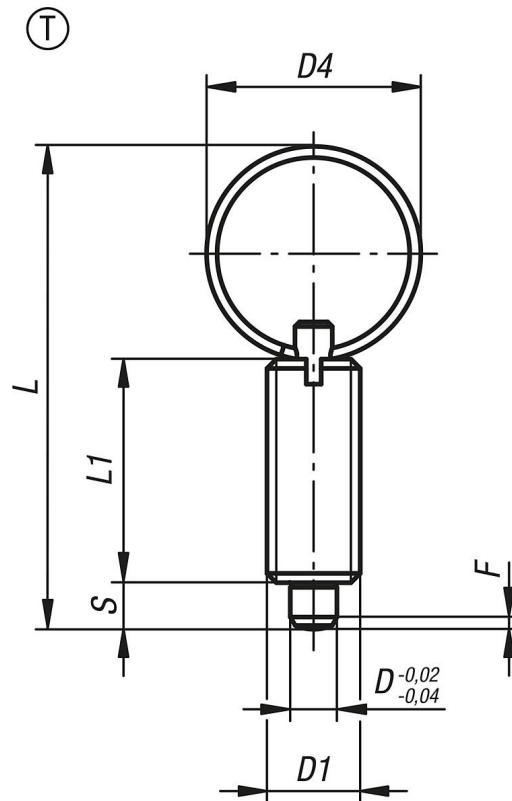
Special versions.

#### Accessory:

Spacer rings K0665

# Indexing plungers, steel or stainless steel without collar, with stainless steel pull ring

## Drawings



## Overview of items

Order No.	Form	Main material	Surface finish body	D	D1	D4	L	L1	Travel S	Fx30°	Spring force initial pressure F1 approx. N	Spring force final pressure F2 approx. N	Order No. screw-in washer
K0635.3004	T	steel	hardened	4	M8x1	15	40	21	4	1	6	12	K0344.90
K0635.3105	T	steel	hardened	5	M10x1	23	52	24	5	1,3	5	12	K0344.91
K0635.3206	T	steel	hardened	6	M12x1,5	23	57	28	6	1,8	6	14	K0344.92
K0635.3308	T	steel	hardened	8	M16x1,5	28	72	36	8	2,3	15	35	K0344.93
K0635.3410	T	steel	hardened	10	M20x1,5	28	78	40	10	2,8	15	34	K0344.94
K0635.03004	T	stainless steel	hardened	4	M8x1	15	40	21	4	1	6	12	K0344.90
K0635.03105	T	stainless steel	hardened	5	M10x1	23	52	24	5	1,3	5	12	K0344.91
K0635.03206	T	stainless steel	hardened	6	M12x1,5	23	57	28	6	1,8	6	14	K0344.92
K0635.03308	T	stainless steel	hardened	8	M16x1,5	28	72	36	8	2,3	15	35	K0344.93
K0635.03410	T	stainless steel	hardened	10	M20x1,5	28	78	40	10	2,8	15	34	K0344.94
K0635.13004	T	stainless steel	not hardened	4	M8x1	15	40	21	4	1	6	12	K0344.90
K0635.13105	T	stainless steel	not hardened	5	M10x1	23	52	24	5	1,3	5	12	K0344.91
K0635.13206	T	stainless steel	not hardened	6	M12x1,5	23	57	28	6	1,8	6	14	K0344.92
K0635.13308	T	stainless steel	not hardened	8	M16x1,5	28	72	36	8	2,3	15	35	K0344.93
K0635.13410	T	stainless steel	not hardened	10	M20x1,5	28	78	40	10	2,8	15	34	K0344.94