

Indexing plungers, steel or stainless steel without collar, with stainless steel pull ring

Item description/product images



Description

Material:

Steel version

Indexing pin hardened:
grade 5.8.

Stainless steel version

Indexing pin hardened:
Threaded sleeve 1.4305.
Indexing pin 1.4034.

Indexing pin not hardened:

Threaded sleeve 1.4305.
Indexing pin 1.4305.

Key ring 1.4310, bright.

Version:

Steel version:

Indexing pin hardened, ground, black oxidised.

Stainless steel version:

Indexing pin hardened, ground and bright.

Indexing pin not hardened, ground and bright.

Note:

Indexing plungers are used to prevent any change in locking position due to lateral forces. A new locking position can only be set after the pin has been disengaged. The key ring is also suitable for actuation of the indexing plungers e.g. automatically (program-controlled) with the aid of a pneumatic cylinder or remote control with bowden cables.

A screw-in washer can be supplied to help screw in the indexing plungers. The washer is fitted onto the threaded sleeve so that the carrier pins engage in the slot.

On request:

Special versions.

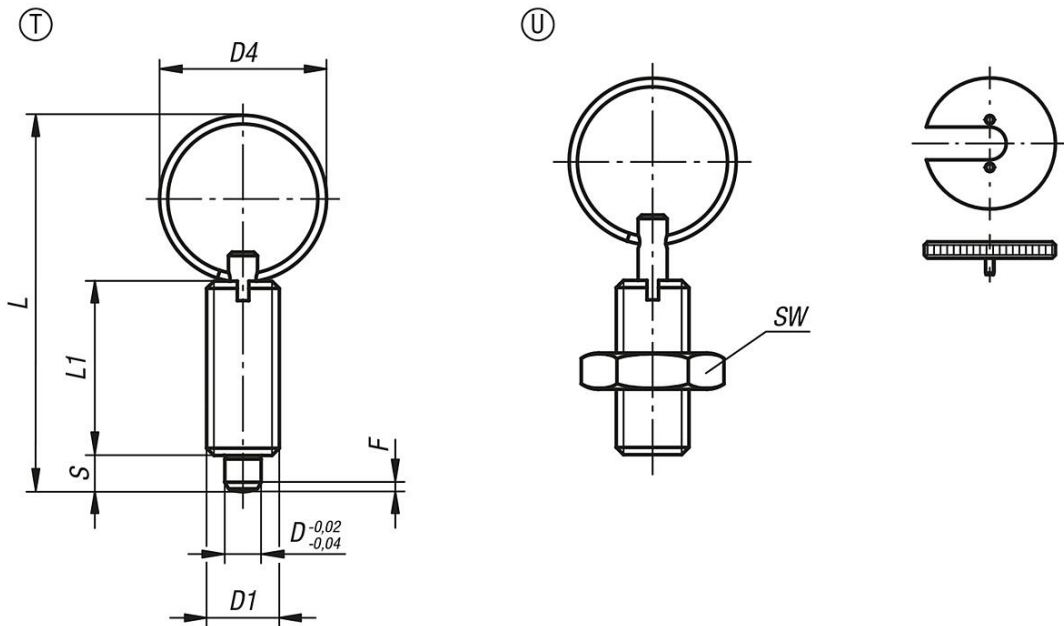
Drawing reference:

Form T: without locknut

Form U: with locknut

Indexing plungers, steel or stainless steel without collar, with stainless steel pull ring

Drawings



Overview of items

Indexing plungers without collar

Order No.	Form	Main material	Surface finish body	D	D1	D4	L	L1	Travel S	SW	Fx30°	Spring force initial pressure F1 approx. N	Spring force final pressure F2 approx. N	Order No. screw-in washer
K0635.3004	T	steel	hardened	4	M8x1	15	40	21	4	-	1	6	12	K0344.90
K0635.3105	T	steel	hardened	5	M10x1	23	52	24	5	-	1,3	5	12	K0344.91
K0635.3206	T	steel	hardened	6	M12x1,5	23	57	28	6	-	1,8	6	14	K0344.92
K0635.3308	T	steel	hardened	8	M16x1,5	28	72	36	8	-	2,3	15	35	K0344.93
K0635.3410	T	steel	hardened	10	M20x1,5	28	78	40	10	-	2,8	15	34	K0344.94
K0635.03004	T	stainless steel	hardened	4	M8x1	15	40	21	4	-	1	6	12	K0344.90
K0635.03105	T	stainless steel	hardened	5	M10x1	23	52	24	5	-	1,3	5	12	K0344.91
K0635.03206	T	stainless steel	hardened	6	M12x1,5	23	57	28	6	-	1,8	6	14	K0344.92
K0635.03308	T	stainless steel	hardened	8	M16x1,5	28	72	36	8	-	2,3	15	35	K0344.93
K0635.03410	T	stainless steel	hardened	10	M20x1,5	28	78	40	10	-	2,8	15	34	K0344.94
K0635.13004	T	stainless steel	not hardened	4	M8x1	15	40	21	4	-	1	6	12	K0344.90
K0635.13105	T	stainless steel	not hardened	5	M10x1	23	52	24	5	-	1,3	5	12	K0344.91
K0635.13206	T	stainless steel	not hardened	6	M12x1,5	23	57	28	6	-	1,8	6	14	K0344.92
K0635.13308	T	stainless steel	not hardened	8	M16x1,5	28	72	36	8	-	2,3	15	35	K0344.93
K0635.13410	T	stainless steel	not hardened	10	M20x1,5	28	78	40	10	-	2,8	15	34	K0344.94
K0635.4004	U	steel	hardened	4	M8x1	15	40	21	4	13	1	6	12	K0344.90
K0635.4105	U	steel	hardened	5	M10x1	23	52	24	5	17	1,3	5	12	K0344.91
K0635.4206	U	steel	hardened	6	M12x1,5	23	57	28	6	19	1,8	6	14	K0344.92
K0635.4308	U	steel	hardened	8	M16x1,5	28	72	36	8	24	2,3	15	35	K0344.93
K0635.4410	U	steel	hardened	10	M20x1,5	28	78	40	10	30	2,8	15	34	K0344.94
K0635.04004	U	stainless steel	hardened	4	M8x1	15	40	21	4	13	1	6	12	K0344.90
K0635.04105	U	stainless steel	hardened	5	M10x1	23	52	24	5	17	1,3	5	12	K0344.91
K0635.04206	U	stainless steel	hardened	6	M12x1,5	23	57	28	6	19	1,8	6	14	K0344.92
K0635.04308	U	stainless steel	hardened	8	M16x1,5	28	72	36	8	24	2,3	15	35	K0344.93
K0635.04410	U	stainless steel	hardened	10	M20x1,5	28	78	40	10	30	2,8	15	34	K0344.94
K0635.14004	U	stainless steel	not hardened	4	M8x1	15	40	21	4	13	1	6	12	K0344.90
K0635.14105	U	stainless steel	not hardened	5	M10x1	23	52	24	5	17	1,3	5	12	K0344.91
K0635.14206	U	stainless steel	not hardened	6	M12x1,5	23	57	28	6	19	1,8	6	14	K0344.92
K0635.14308	U	stainless steel	not hardened	8	M16x1,5	28	72	36	8	24	2,3	15	35	K0344.93
K0635.14410	U	stainless steel	not hardened	10	M20x1,5	28	78	40	10	30	2,8	15	34	K0344.94

Indexing plungers, steel or stainless steel without collar, with stainless steel pull ring

Overview of items
