

# Indexing plungers, steel or stainless steel without collar, with plastic mushroom grip

Item description/product images



## Description

### Material:

Steel version

Indexing pin hardened:  
grade 5.8.

Stainless steel version

Indexing pin hardened:  
Threaded sleeve 1.4305.  
Indexing pin 1.4034.

Indexing pin not hardened:

Threaded sleeve 1.4305.  
Indexing pin 1.4305.

Mushroom knob black-grey thermoplastic.

### Version:

Steel version:

Indexing pin hardened, ground, black oxidised.

Stainless steel version:

Indexing pin hardened, ground and bright.

Indexing pin not hardened, ground and bright.

### Note:

Indexing plungers are used to prevent any change in locking position due to lateral forces. A new locking position can only be set after the pin has been manually disengaged.

A washer is available to aid by screwing in the indexing plungers. The washer slides beneath the mushroom knob so that the carrier pins engage in the slot.

### On request:

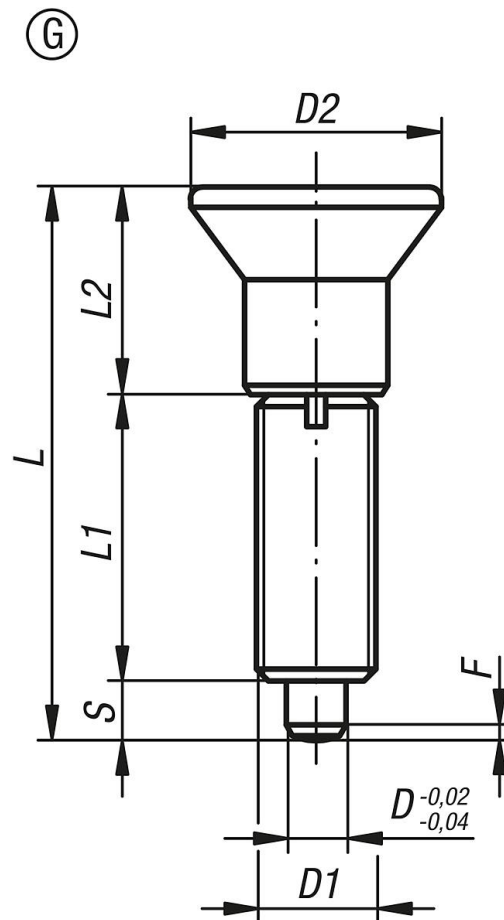
Special versions.

### Accessory:

Spacer rings K0665

# Indexing plungers, steel or stainless steel without collar, with plastic mushroom grip

Drawings



## Overview of items

Order No.	Form	Main material	Surface finish body	D	D1	D2	L	L1	L2	Travel S	Fx30°	Spring force initial pressure F1 approx. N	Spring force final pressure F2 approx. N	Order No. screw-in washer
K0343.1903	G	steel	hardened	3	M6x0,75	14	31,5	17	11	3,5	0,8	4,5	10	K0344.99
K0343.1004	G	steel	hardened	4	M8x1	18	38,5	21	13,5	4	1,3	6	12	K0344.90
K0343.1105	G	steel	hardened	5	M10x1	21	43,5	24	14,5	5	1,3	5	12	K0344.91
K0343.1206	G	steel	hardened	6	M12x1,5	25	51,7	28	17,7	6	1,8	6	14	K0344.92
K0343.1308	G	steel	hardened	8	M16x1,5	33	68	36	24	8	2,3	15	35	K0344.93
K0343.1410	G	steel	hardened	10	M20x1,5	33	74	40	24	10	2,8	15	34	K0344.94
K0343.1412	G	steel	hardened	12	M20x1,5	33	78	42	24	12	2,8	15	39	K0344.94
K0343.1516	G	steel	hardened	16	M24x2	40	96	50	30	16	3,2	20	46	K0344.95
K0343.01903	G	stainless steel	hardened	3	M6x0,75	14	31,5	17	11	3,5	0,8	4,5	10	K0344.99
K0343.01004	G	stainless steel	hardened	4	M8x1	18	38,5	21	13,5	4	1,3	6	12	K0344.90
K0343.01105	G	stainless steel	hardened	5	M10x1	21	43,5	24	14,5	5	1,3	5	12	K0344.91
K0343.01206	G	stainless steel	hardened	6	M12x1,5	25	51,7	28	17,7	6	1,8	6	14	K0344.92
K0343.01308	G	stainless steel	hardened	8	M16x1,5	33	68	36	24	8	2,3	15	35	K0344.93
K0343.01410	G	stainless steel	hardened	10	M20x1,5	33	74	40	24	10	2,8	15	34	K0344.94
K0343.01412	G	stainless steel	hardened	12	M20x1,5	33	78	42	24	12	2,8	15	39	K0344.94
K0343.01516	G	stainless steel	hardened	16	M24x2	40	96	50	30	16	3,2	20	46	K0344.95
K0343.11903	G	stainless steel	not hardened	3	M6x0,75	14	31,5	17	11	3,5	0,8	4,5	10	K0344.99
K0343.11004	G	stainless steel	not hardened	4	M8x1	18	38,5	21	13,5	4	1,3	6	12	K0344.90
K0343.11105	G	stainless steel	not hardened	5	M10x1	21	43,5	24	14,5	5	1,3	5	12	K0344.91
K0343.11206	G	stainless steel	not hardened	6	M12x1,5	25	51,7	28	17,7	6	1,8	6	14	K0344.92
K0343.11308	G	stainless steel	not hardened	8	M16x1,5	33	68	36	24	8	2,3	15	35	K0344.93
K0343.11410	G	stainless steel	not hardened	10	M20x1,5	33	74	40	24	10	2,8	15	34	K0344.94
K0343.11412	G	stainless steel	not hardened	12	M20x1,5	33	78	42	24	12	2,8	15	39	K0344.94
K0343.11516	G	stainless steel	not hardened	16	M24x2	40	96	50	30	16	3,2	20	46	K0344.95

# Indexing plungers, steel or stainless steel without collar, with plastic mushroom grip

Overview of items

---