

## Indexing plungers, steel or stainless steel, short version with plastic mushroom grip

Item description/product images



### Description

#### Material:

Steel version

Indexing pin hardened:  
grade 5.8

Stainless steel version

Indexing pin not hardened:  
Threaded sleeve 1.4305.  
Indexing pin 1.4305.

Mushroom grip thermoplastic, black-grey or traffic red RAL 3020.

#### Version:

Steel version:

Indexing pin hardened, ground, black oxidised.

Stainless steel version:

Indexing pin not hardened, ground, bright.

#### Note:

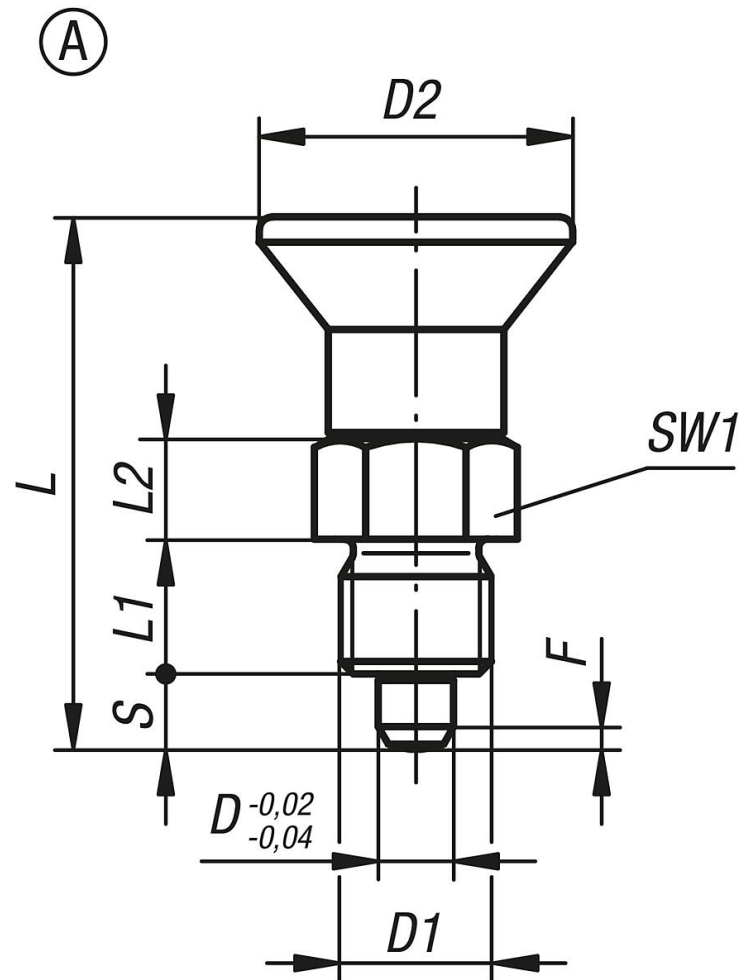
Indexing plungers are used to prevent any change in position due to lateral forces. A new locking position can only be set after the pin has been manually disengaged. Form C or D is recommended for applications in which the pin is disengaged over extended periods and should be prevented from springing back.

#### On request:

Special versions.

# Indexing plungers, steel or stainless steel, short version with plastic mushroom grip

Drawings



## Overview of items

Order No.	Form	Main material	Surface finish body	Component colour	D	D1	D2	L	L1	L2	Travel S	SW1	Fx30°	Spring force initial pressure F1 approx. N	Spring force final pressure F2 approx. N
K0631.5903	A	steel	hardened	black grey RAL 7021	3	M6x0,75	14	25,5	6	5	3,5	8	0,8	4	10
K0631.5004	A	steel	hardened	black grey RAL 7021	4	M8x1	18	29,5	6	6	4	10	1	4	12
K0631.5105	A	steel	hardened	black grey RAL 7021	5	M10x1	21	34,5	8	7	5	13	1,3	5	12
K0631.5206	A	steel	hardened	black grey RAL 7021	6	M12x1,5	25	41,7	10	8	6	14	1,8	6	14
K0631.5308	A	steel	hardened	black grey RAL 7021	8	M16x1,5	33	54	12	10	8	19	2,3	14	28
K0631.5410	A	steel	hardened	black grey RAL 7021	10	M20x1,5	33	61	15	12	10	22	2,8	15	32
K0631.590384	A	steel	hardened	traffic red RAL 3020	3	M6x0,75	14	25,5	6	5	3,5	8	0,8	4	10
K0631.500484	A	steel	hardened	traffic red RAL 3020	4	M8x1	18	29,5	6	6	4	10	1	4	12
K0631.510584	A	steel	hardened	traffic red RAL 3020	5	M10x1	21	34,5	8	7	5	13	1,3	5	12
K0631.520684	A	steel	hardened	traffic red RAL 3020	6	M12x1,5	25	41,7	10	8	6	14	1,8	6	14
K0631.530884	A	steel	hardened	traffic red RAL 3020	8	M16x1,5	33	54	12	10	8	19	2,3	14	28
K0631.541084	A	steel	hardened	traffic red RAL 3020	10	M20x1,5	33	61	15	12	10	22	2,8	15	32
K0631.15903	A	stainless steel	not hardened	black grey RAL 7021	3	M6x0,75	14	25,5	6	5	3,5	8	0,8	4	10
K0631.15004	A	stainless steel	not hardened	black grey RAL 7021	4	M8x1	18	29,5	6	6	4	10	1	4	12
K0631.15105	A	stainless steel	not hardened	black grey RAL 7021	5	M10x1	21	34,5	8	7	5	13	1,3	5	12
K0631.15206	A	stainless steel	not hardened	black grey RAL 7021	6	M12x1,5	25	41,7	10	8	6	14	1,8	6	14
K0631.15308	A	stainless steel	not hardened	black grey RAL 7021	8	M16x1,5	33	54	12	10	8	19	2,3	14	28
K0631.15410	A	stainless steel	not hardened	black grey RAL 7021	10	M20x1,5	33	61	15	12	10	22	2,8	15	32
K0631.1590384	A	stainless steel	not hardened	traffic red RAL 3020	3	M6x0,75	14	25,5	6	5	3,5	8	0,8	4	10
K0631.1500484	A	stainless steel	not hardened	traffic red RAL 3020	4	M8x1	18	29,5	6	6	4	10	1	4	12
K0631.1510584	A	stainless steel	not hardened	traffic red RAL 3020	5	M10x1	21	34,5	8	7	5	13	1,3	5	12
K0631.1520684	A	stainless steel	not hardened	traffic red RAL 3020	6	M12x1,5	25	41,7	10	8	6	14	1,8	6	14

# Indexing plungers, steel or stainless steel, short version with plastic mushroom grip

## Overview of items

Order No.	Form	Main material	Surface finish body	Component colour	D	D1	D2	L	L1	L2	Travel S	SW1	Fx30°	Spring force initial pressure F1 approx. N	Spring force final pressure F2 approx. N
K0631.1530884	A	stainless steel	not hardened	traffic red RAL 3020	8	M16x1,5	33	54	12	10	8	19	2,3	14	28
K0631.1541084	A	stainless steel	not hardened	traffic red RAL 3020	10	M20x1,5	33	61	15	12	10	22	2,8	15	32