

# Spring plungers with slot and ball, steel, with thread lock

Item description/product images

KIPPlack



## Description

**Material:**

Sleeve steel grade 5.8.  
Ball steel.  
Spring grade D spring steel wire.

Thread lock nylon.

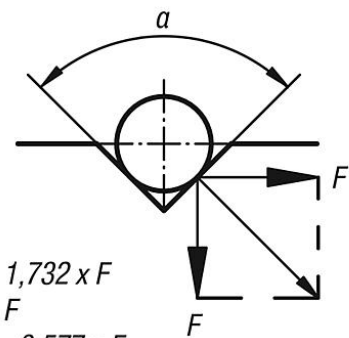
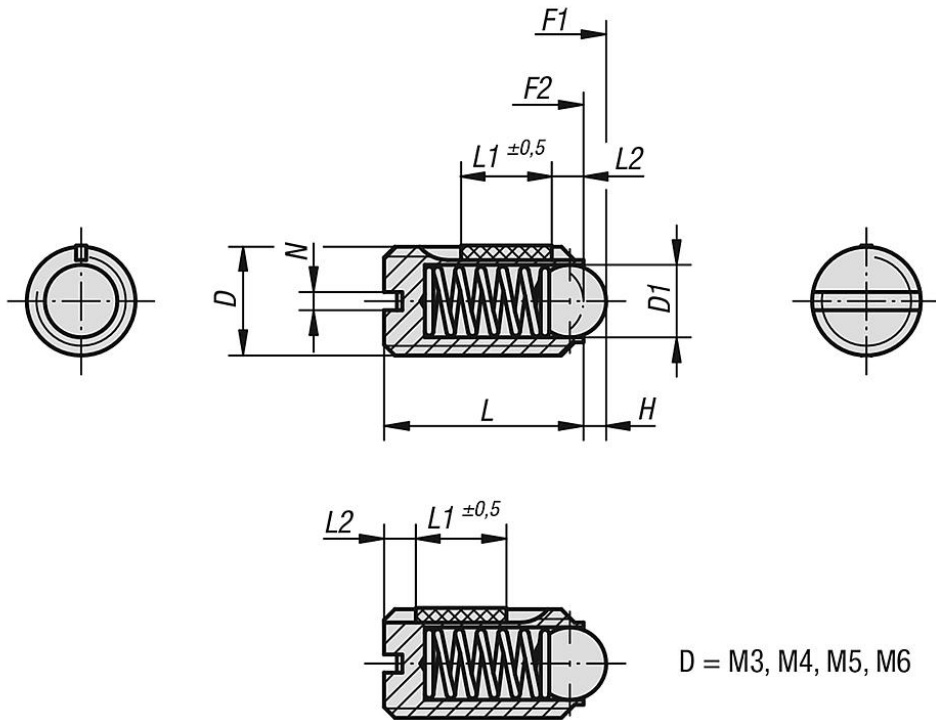
**Version:**

Black oxidised. Ball hardened.

**Drawing reference:**

L2 = approx. 2x thread pitch

## Drawings



$\alpha = 60^\circ, F' = 1,732 \times F$   
 $\alpha = 90^\circ, F' = F$   
 $\alpha = 120^\circ, F' = 0,577 \times F$

## Spring plungers with slot and ball, steel, with thread lock

### Overview of items

#### Spring plungers with slot and ball, steel, with thread lock

Order No.	D	D1	H	L	L1	N	Spring force initial pressure F1 approx. N	Spring force final pressure F2 approx. N	Tightening torque approx. Nm	Loosening torque approx. Nm
K0321.03	M3	1,5	0,4	7	4	0,4	1,5	3	0,1	0,07
K0321.04	M4	2,5	0,8	9	5	0,6	4	10	0,18	0,12
K0321.05	M5	3	0,9	12	6	0,8	6	11	0,12	0,08
K0321.06	M6	3,5	1	14	7	1	9	13	0,43	0,21
K0321.08	M8	5	1,5	16	8	1,2	15	30	1,09	0,37
K0321.10	M10	6	2	19	9	1,6	20	40	1,36	0,62
K0321.12	M12	8	2,5	22	10	2	30	55	2,03	1,36
K0321.16	M16	10	3,5	24	14	2,5	65	125	3,95	2,95
K0321.203	M3	1,5	0,4	7	4	0,4	5	7	0,1	0,07
K0321.204	M4	2,5	0,8	9	5	0,6	12	22	0,18	0,12
K0321.205	M5	3	0,9	12	6	0,8	19	30	0,12	0,08
K0321.206	M6	3,5	1	14	7	1	28	40	0,43	0,21
K0321.208	M8	5	1,5	16	8	1,2	47	73	1,09	0,37
K0321.210	M10	6	2	19	9	1,6	66	100	1,36	0,62
K0321.212	M12	8	2,5	22	10	2	66	120	2,03	1,36
K0321.216	M16	10	3,5	24	14	2,5	90	180	3,95	2,95