

## UNILOCK clamping station

### Item description/product images



### Description

#### Material:

Clamping module high-carbon steel.  
Baseplate steel 1.1730.

#### Version:

Clamping module contact faces hardened and ground.  
Baseplate ground on both sides.

#### Note:

Pre-assembled multi-clamping stations with integrated UNILOCK clamping modules ERGO 138. The clamping stations can be screwed directly onto machine tables or secured using claw clamps.

Standard hole patterns on the back for fastening are pre-centred.

The clamping stations can be aligned using the 14H7 reference holes.

The clamping modules are actuated using a central pneumatic connection.

The high clamping forces are generated by the integrated spring package. (the unit clamps in while not under pressure).

Clamping is released pneumatically.

The following clamping forces are possible with the UNILOCK clamping pin in conjunction with M10, M12, M16 fastening screws:

- Clamping force (M10) 35,000 N/module
- Clamping force (M12) 50,000 N/module
- Clamping force (M16) 75,000 N/module

Clamping force with DIN EN ISO 4762 -12.9 cap screws

Clamping pins may only be clamped in conjunction with a mounted interchangeable unit in the clamping module.

#### Technical data:

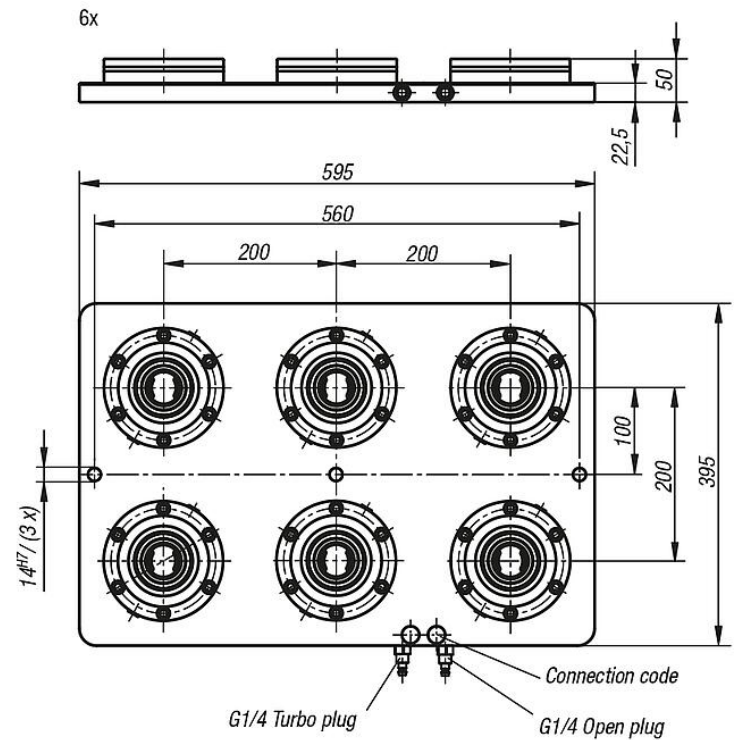
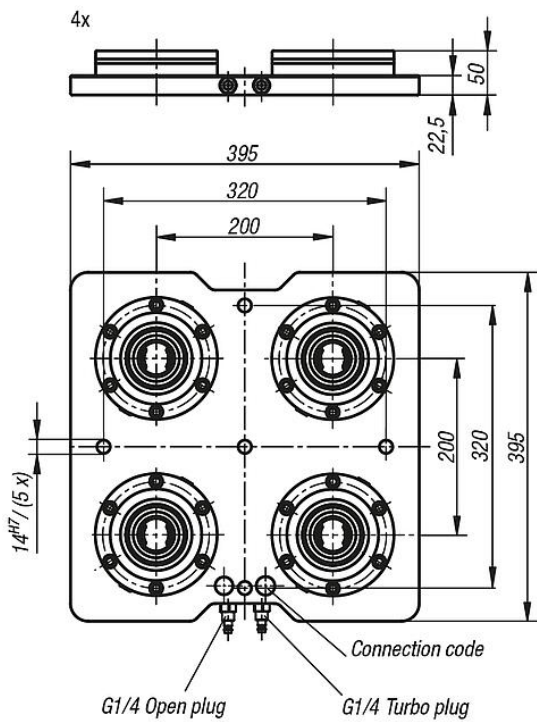
- Retraction force with turbo from 18 kN/module
- Opening pressure: 6 bar, lubricated air.
- Turbo pressure: 6 bar.
- Air connection: G1/4
- Repeat accuracy  $\leq 0.005$  mm
- Reference holes 14H7 to align the clamping plate.

#### On request:

Clamping station in special dimensions.

## UNILOCK clamping station

### Drawings



### Overview of items

#### UNILOCK clamping station

Order No.	Version 2	Form	Form definition	weight kg
K1009.4200395395	4x	A	without rotation lock	35
K1009.6200595395	6x	A	without rotation lock	52,2