

Pull handles, round aluminium, angled

Item description/product images

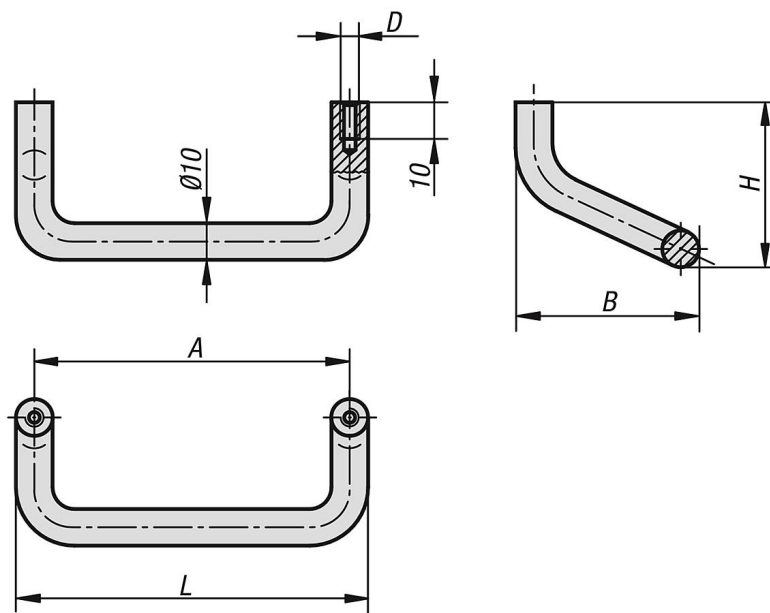


Description

Material:
Aluminium.

Version:
Matt-finished, anodised black or natural tone.

Drawings



Overview of items

Pull handles angled

Order No.	Main colour	A	B	D	H	L	Load capacity N
K0219.08601	black	86	40	M5	45	96	500
K0219.12001	black	120	40	M5	45	130	500
K0219.18001	black	180	40	M5	45	190	500
K0219.08603	natural	86	40	M5	45	96	500
K0219.12003	natural	120	40	M5	45	130	500
K0219.18003	natural	180	40	M5	45	190	500