

Clamping levers, plastic, non-adjustable with square socket, insert blue passivated steel

Item description/product images



Description

Material:

Handle fibreglass reinforced plastic.

Steel parts grade 5.8.

Version:

Handle black grey, steel parts blue-passivated.

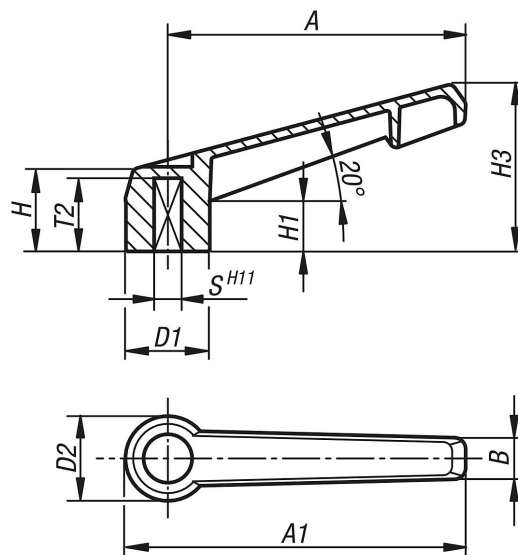
Note:

Non-adjustable clamping levers can be used for simple applications. Generally, there must be enough space so that the lever can be rotated through 360°.

On request:

Special versions.

Drawings



Overview of items

Order No.	Thread type	Size	S	T2	D1	D2	H	H1	H3	A	A1	B
K0175.105002	square socket	1	5	13	13,8	14	17	11	27	40	47	8
K0175.206002	square socket	2	6	16	18,3	18,5	18	11	36,5	65	75	9
K0175.308002	square socket	3	8	18	21,8	22	22	14	45	80	91	11
K0175.410002	square socket	4	10	20	25,8	26	26	17	54	95	108	13
K0175.512002	square socket	5	12	26	30,8	31	31	21	63	110	126	16