

Cam levers, stainless steel with internal thread, plastic thrust washer

Item description/product images



Description

Material:

Handles 1.4308.

Thrust washer plastic PA 66 GF 35-X fibreglass reinforced.

Hinge pin, washer 1.4305.

Version:

Handle electropolished or blasted.

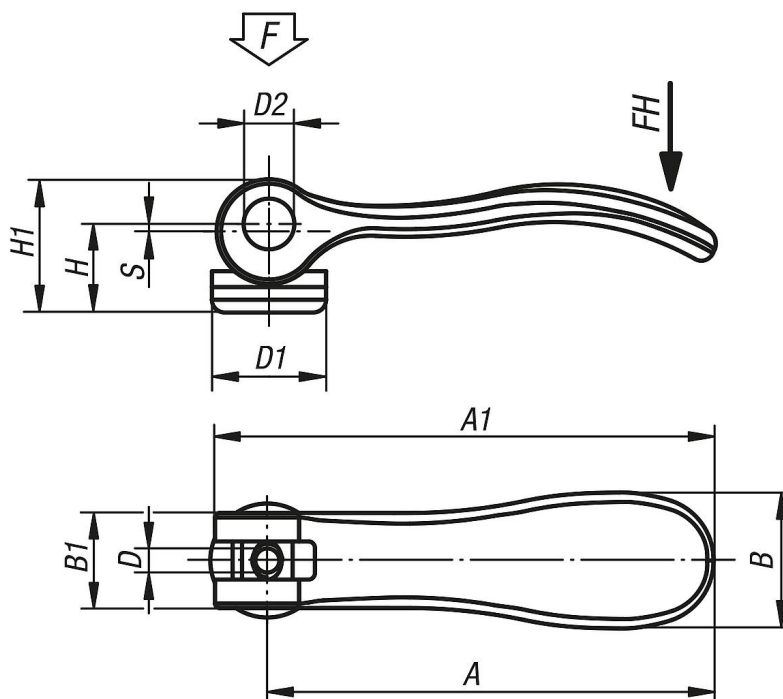
Thrust washer black.

Hinge pin bright.

Note:

Plastics are subject to creeping under load (retardation).

Drawings



Overview of items

Order No.	Surface finish body	D	D1	D2	B	B1	H	H1	A	A1	Travel S	Clamping force F (kN)	Hand force FH N
K0645.9512003	electropolished	M3	12	6	14,4	11,5	9	13	36,2	41,7	1	1,5	90
K0645.9512004	electropolished	M4	12	6	14,4	11,5	9	13	36,2	41,7	1	1,5	90
K0645.0512004	electropolished	M4	15,4	8	18	13	11,2	17	52,3	59,1	1	2,5	100
K0645.0512005	electropolished	M5	15,4	8	18	13	11,2	17	52,3	59,1	1	2,5	100
K0645.1512005	electropolished	M5	18,1	9	21,5	15	14,5	22	70,4	79,2	1,2	4	120
K0645.1512006	electropolished	M6	18,1	9	21,5	15	14,5	22	70,4	79,2	1,2	4	120
K0645.2512008	electropolished	M8	27,1	11	33,3	24	18	28,5	96	108	1,5	8	350
K0645.9512303	blasted	M3	12	6	14,4	11,5	9	13	36,2	41,7	1	1,5	90
K0645.9512304	blasted	M4	12	6	14,4	11,5	9	13	36,2	41,7	1	1,5	90
K0645.0512304	blasted	M4	15,4	8	18	13	11,2	17	52,3	59,1	1	2,5	100
K0645.0512305	blasted	M5	15,4	8	18	13	11,2	17	52,3	59,1	1	2,5	100

Cam levers, stainless steel with internal thread, plastic thrust washer

Overview of items

Order No.	Surface finish body	D	D1	D2	B	B1	H	H1	A	A1	Travel S	Clamping force F (kN)	Hand force FH N
K0645.1512305	blasted	M5	18,1	9	21,5	15	14,5	22	70,4	79,2	1,2	4	120
K0645.1512306	blasted	M6	18,1	9	21,5	15	14,5	22	70,4	79,2	1,2	4	120
K0645.2512308	blasted	M8	27,1	11	33,3	24	18	28,5	96	108	1,5	8	350