

## Magnets shallow pot with internal thread NdFeB

### Item description/product images



### Description

**Material:**

Housing, steel.  
Magnetic core NdFeB.

**Version:**

Housing, electro zinc-plated.

**Note:**

Shielded system

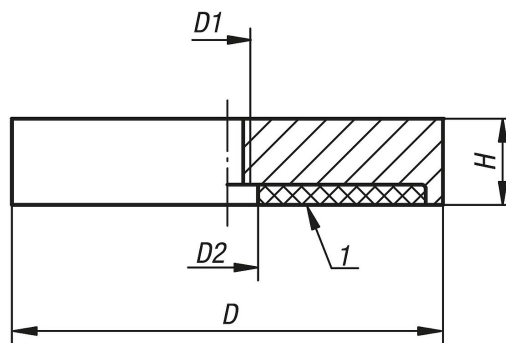
**Temperature range:**

max. 80°C.

**Drawing reference:**

1) magnetic face

### Drawings



### Overview of items

#### Magnets shallow pot with internal thread NdFeB

Order No.	D	D1	D2	H	Magnetic force N
K0556.01	32	M5	5,5	7	330
K0556.02	40	M5	10,5	8	550
K0556.03	63	M10	11,7	14	1100
K0556.04	75	M10	13	15	1750