

Quarter-turn locks, stainless steel with L-grip

Item description/product images



Description

Material:

Quarter-turn lock 1.4401 stainless steel.
Tongue 1.4301 stainless steel.

Version:

Bright.
Grip polished.

Note:

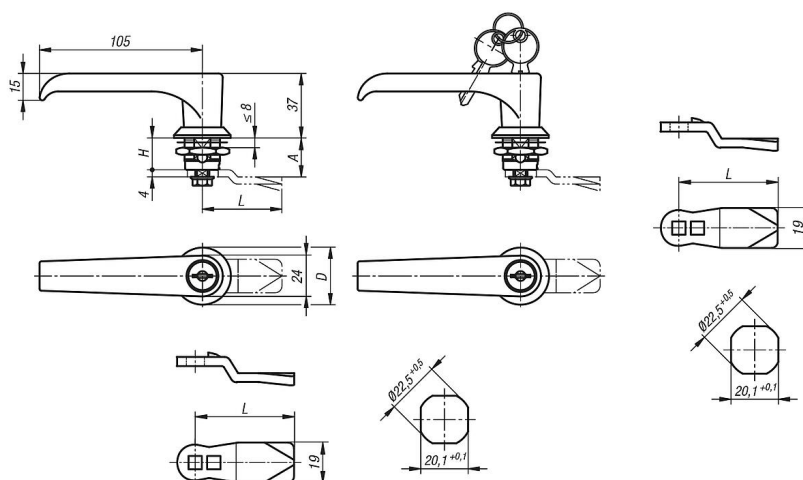
Quarter-turn lock with L-grip. For right or left mounting with 90° closing. The quarter-turn lock can be installed pre-assembled. Rating IP65. Please order required tongue version separately. Every tongue can be combined with this housing.

The lockable quarter-turn locks are each supplied with 2 keys. The cylinder locks have a single-key system i.e. the same key works in all locks.

On request:

Available for door thickness 20 and 40 mm.

Drawings



Overview of items

Quarter-turn locks, stainless steel with L-grip

Order No.	Actuation	D	H
K1359.118	L-grip	32	18
K1359.218	lockable L-grip	32	18

Tongue for quarter-turn locks

Order No.	A	L
K1340.45060	6	45
K1340.45080	8	45
K1340.45100	10	45
K1340.45140	14	45

Quarter-turn locks, stainless steel with L-grip

Overview of items

Order No.	A	L
K1340.45160	16	45
K1340.45180	18	45
K1340.45200	20	45
K1340.45220	22	45
K1340.45240	24	45
K1340.45260	26	45
K1340.45280	28	45
K1340.45320	32	45
K1340.45500	50	45