

# Quarter-turn lock in Hygienic DESIGN

## Item description/product images



### Description

**Material:**

Housing, actuation and fastening nut 1.4404 stainless steel.  
 O-rings red silicone, conforming to FDA.  
 Tongue 1.4301 stainless steel.

**Version:**

Bright.

**Note:**

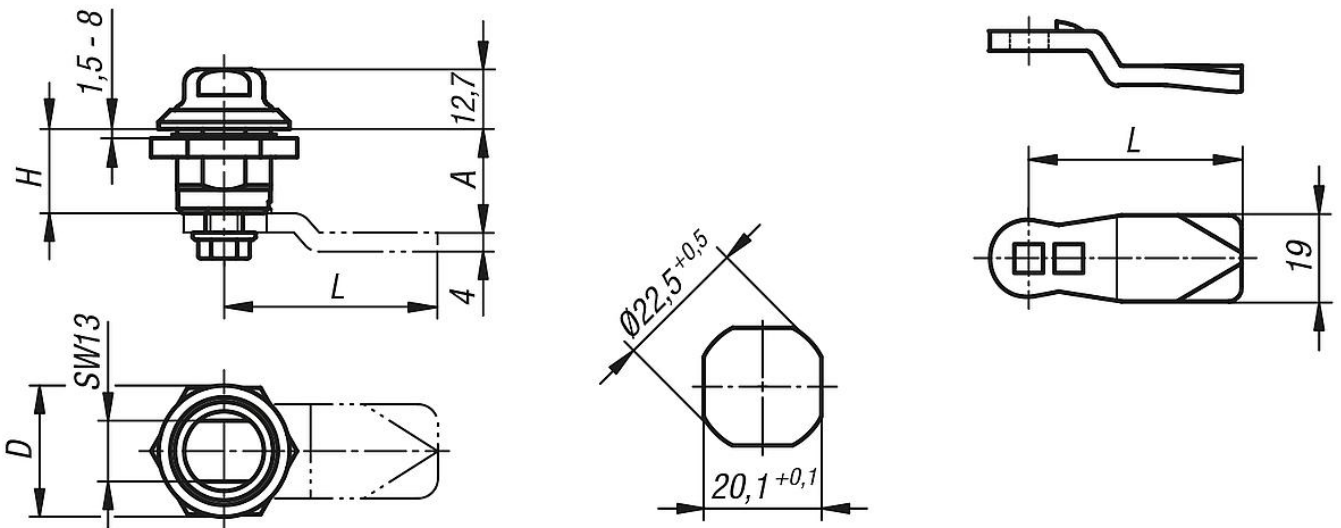
The quarter turn lock fulfills the hygienic requirements acc. to DIN EN 1672-2 and DIN EN 14159.  
 Especially suitable for the food and beverage industry.

Please order required tongue version separately. Every tongue can be combined with every housing.

**Accessory:**

- Lock key K1335.113
- Ring spanner K1362.16
- Protective insert K1362.1613

## Drawings



## Overview of items

### Quarter-turn locks in Hygienic DESIGN

Order No.	Actuation	D	H
K1353.18	double flat	28	18

### Tongue for quarter-turn lock

**Quarter-turn lock in Hygienic DESIGN****Overview of items**

Order No.	A	L
K1340.45060	6	45
K1340.45080	8	45
K1340.45100	10	45
K1340.45140	14	45
K1340.45160	16	45
K1340.45180	18	45
K1340.45200	20	45
K1340.45220	22	45
K1340.45240	24	45
K1340.45260	26	45
K1340.45280	28	45
K1340.45320	32	45
K1340.45500	50	45