

## Ball transfer units with stud

### Item description/product images

---



### Description

**Material:**

Balls stainless steel 1.4021.

Housing stainless steel 1.4301.

**Version:**

Bright.

**Note:**

The ball transfer units has a large support area.

The stud fastening allows for high stability and heavy loading.

The formed wiper seal is external.

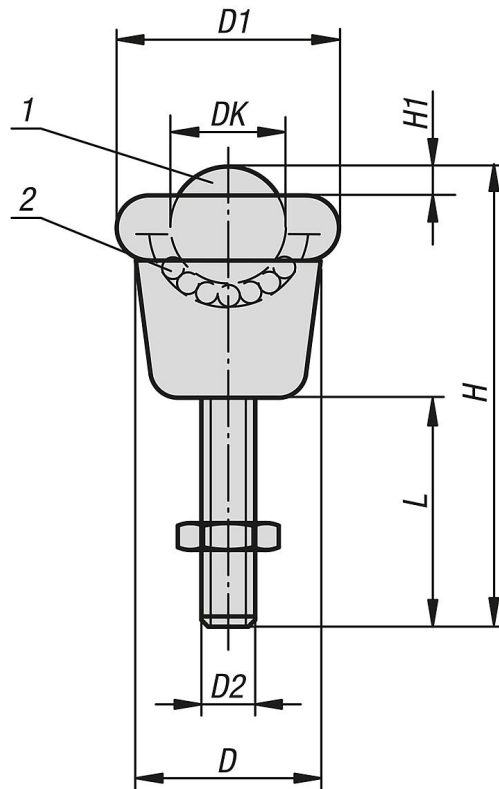
**Drawing reference:**

1) load ball

2) bearing balls

Ball transfer units with stud

Drawings



Overview of items

Ball transfer units with stud

Order No.	DK	D	D1	D2	H	H1	L	Tightening torque of screws Nm	Load rating C (N)
K1322.190820	19	25,4	32,1	M8	50,2	4,7	20	15	250
K1322.190835	19	25,4	32,1	M8	75,2	4,7	45	15	250