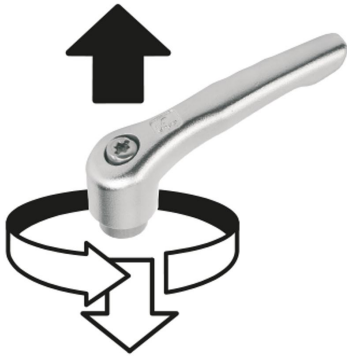


Clamping levers, stainless steel with internal thread and protective cap, threaded insert stainless steel

Item description/product images



lift to
disengage



Description

Material:

Handle investment cast 1.4308.

Other steel parts 1.4305.

Version:

Handle electropolished.

Steel parts bright.

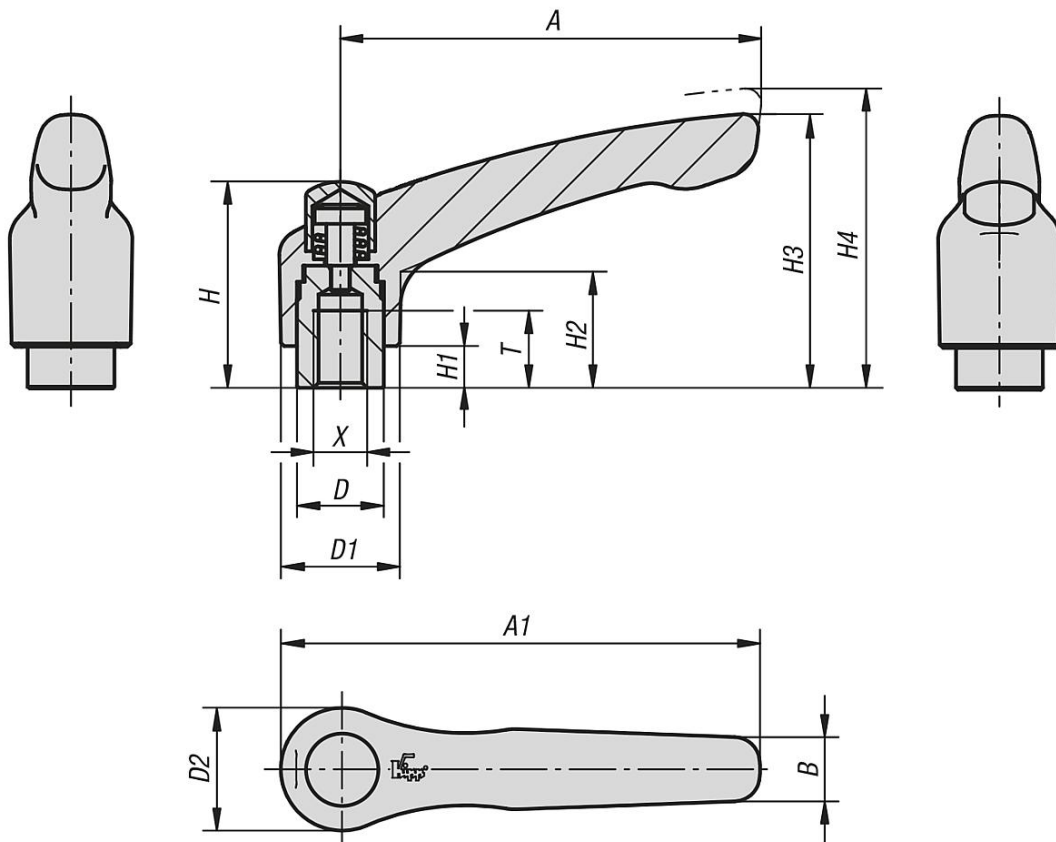
On request:

Other threads and special versions.

Dimension "H1" available in other lengths at extra charge.

Clamping levers, stainless steel with internal thread and protective cap, threaded insert stainless steel

Drawings



Overview of items

Clamping levers with protective cap, internal thread, stainless steel

Order No.	X	A	A1	B	D	D1	D2	H	H1	H2	H3	H4	T	No. of teeth
K0124.9206	M6	65	74,5	10	13,5	18,5	19	32	6,5	17,5	42,5	45,5	12	20
K0124.9208	M8	65	74,5	10	13,5	18,5	19	32	6,5	17,5	42,5	45,5	12	20
K0124.9308	M8	80	91	11	16	21	22	41,5	10	24	54,5	58,5	14	22
K0124.9310	M10	80	91	11	16	21	22	41,5	10	24	54,5	58,5	14	22