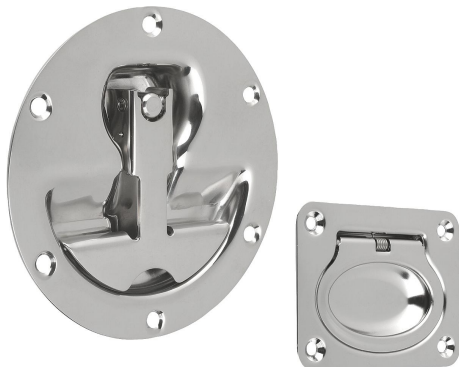


## Recessed handles, stainless steel, fold-down

### Item description/product images



### Description

**Material:**

Stainless steel 1.4301.

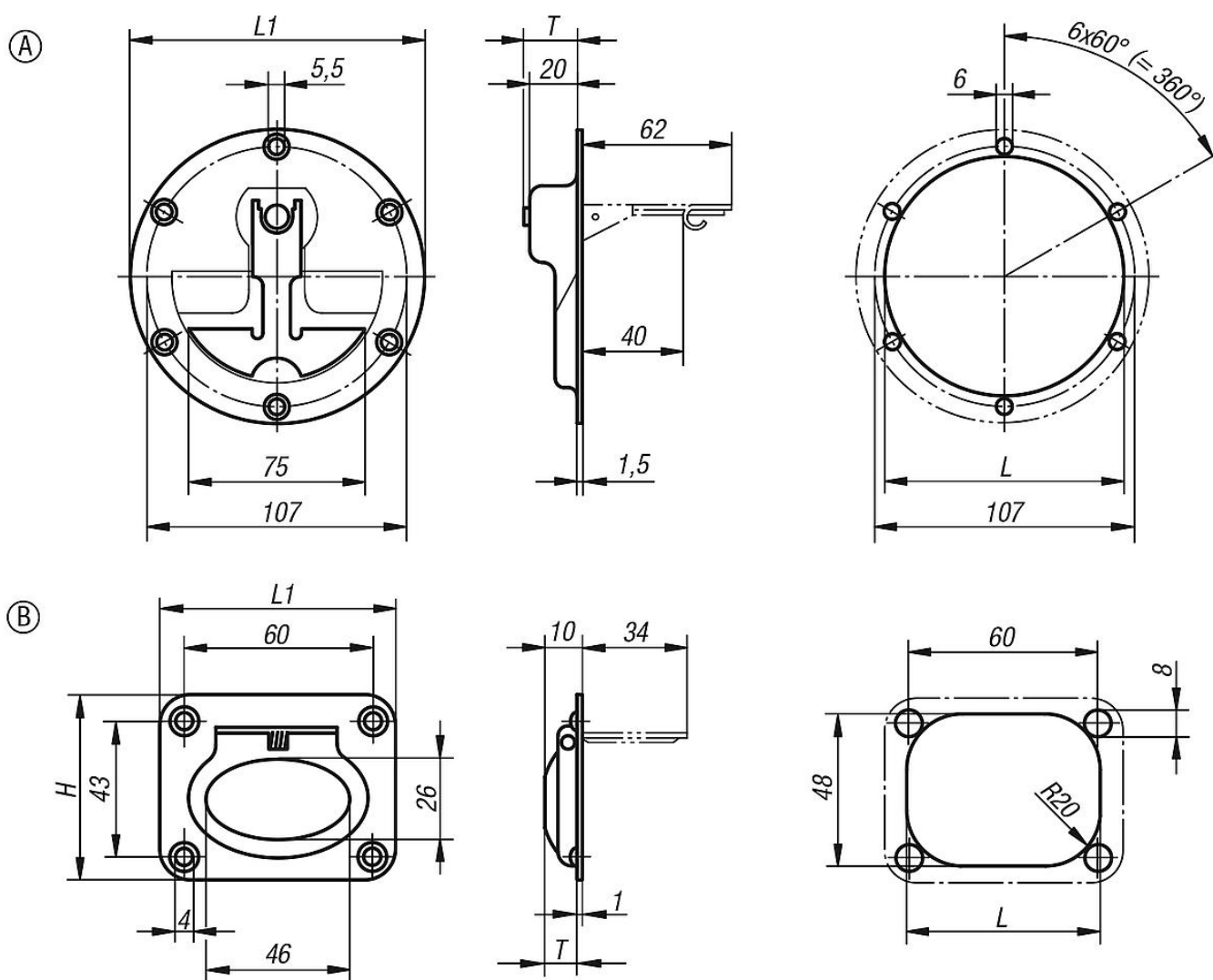
**Version:**

High-gloss electropolished.

**Note:**

Stainless steel retractable grips with marginal installation depth. For base and mounting plates or drawers. With return spring. The grip automatically swivels back into its resting position after use.

### Drawings



## Recessed handles, stainless steel, fold-down

### Overview of items

---

#### Recessed handles fold-down stainless steel

Order No.	Form	Version 2	H	L	L1	T	Load capacity N
K0243.1120000	A	screw on	120	98	120	22	200
K0243.2075058	B	screw on	58	63	75	9	200