

Pull handles, round stainless steel with wide washers

Item description/product images



Description

Material:

Pull Handle and fasteners 1.4404 stainless steel.

Version:

Ground and satin brushed finish.

Note:

These stainless steel pull handles are ideal for all technical applications where highest load and high chemical or corrosive resistance is required.

Drawing reference:

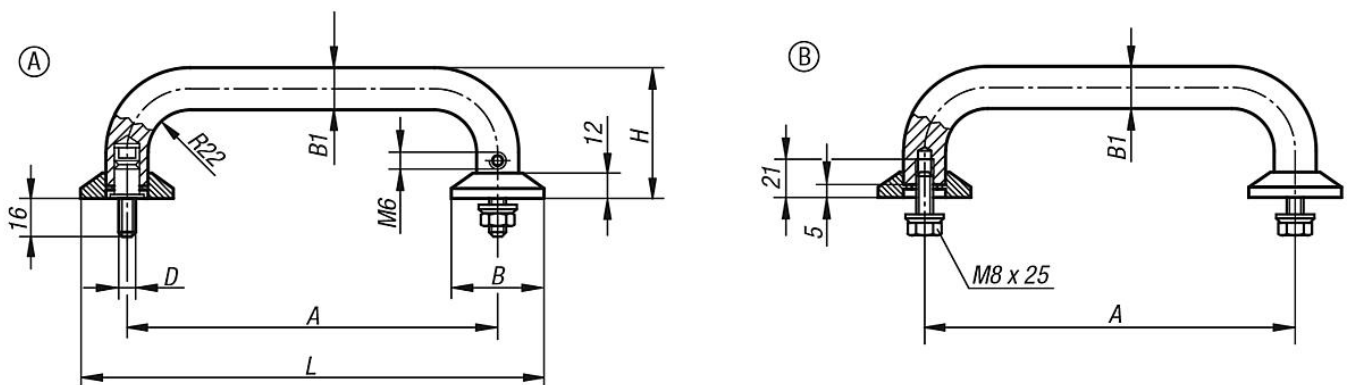
Form A

fastening from the front.

Form B

fastening from the rear.

Drawings



Overview of items

Pull handles stainless steel

Order No.	Form	A	B	B1	D	H	L	Load capacity N
K0215.2001	A	200	50	20	M8	75	250	1000
K0215.2501	A	250	50	20	M8	75	300	1000
K0215.2002	B	200	50	20	M8	75	250	1000
K0215.2502	B	250	50	20	M8	75	300	1000