

Five lobe grips with internal thread

Item description/product images



Description

Material:

Black thermoset PF 31.

Bush electro zinc-plated steel.

Version:

High-gloss polished.

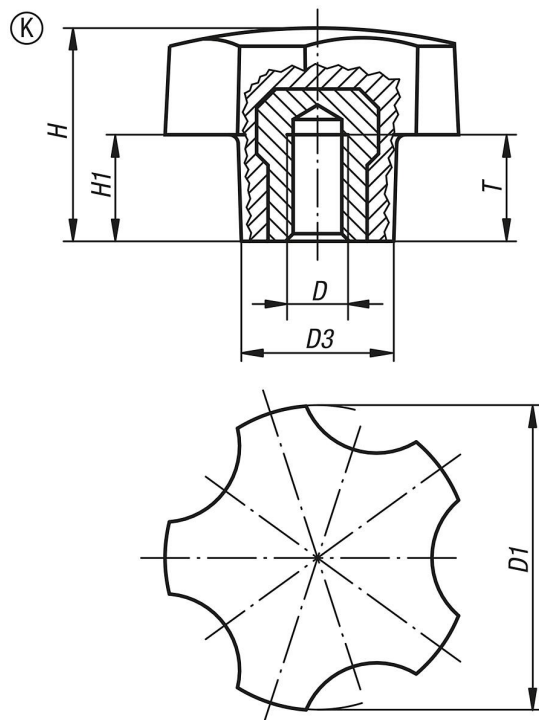
Note:

The versions K0185.3205 and K0185.3206 have a brass bush.

On request:

Other colours.

Drawings



Overview of items

Order No.	Form	D	D1	D3	H	H1	T
K0185.3205	K	M5	32	16	22,4	11,2	10
K0185.3206	K	M6	32	16	22,4	11,2	9
K0185.4006	K	M6	40	20	28	14	12
K0185.4008	K	M8	40	20	28	14	14
K0185.4010	K	M10	40	20	28	14	14
K0185.5008	K	M8	50	25	35	17,5	14
K0185.5010	K	M10	50	25	35	17,5	14

Five lobe grips with internal thread

Overview of items
