

Star grips stainless steel, similar to DIN 6336

Item description/product images



Description

Material:

Stainless steel 1.4308.
 Grub screw stainless steel 1.4305.
 Pin stainless steel 1.4310.

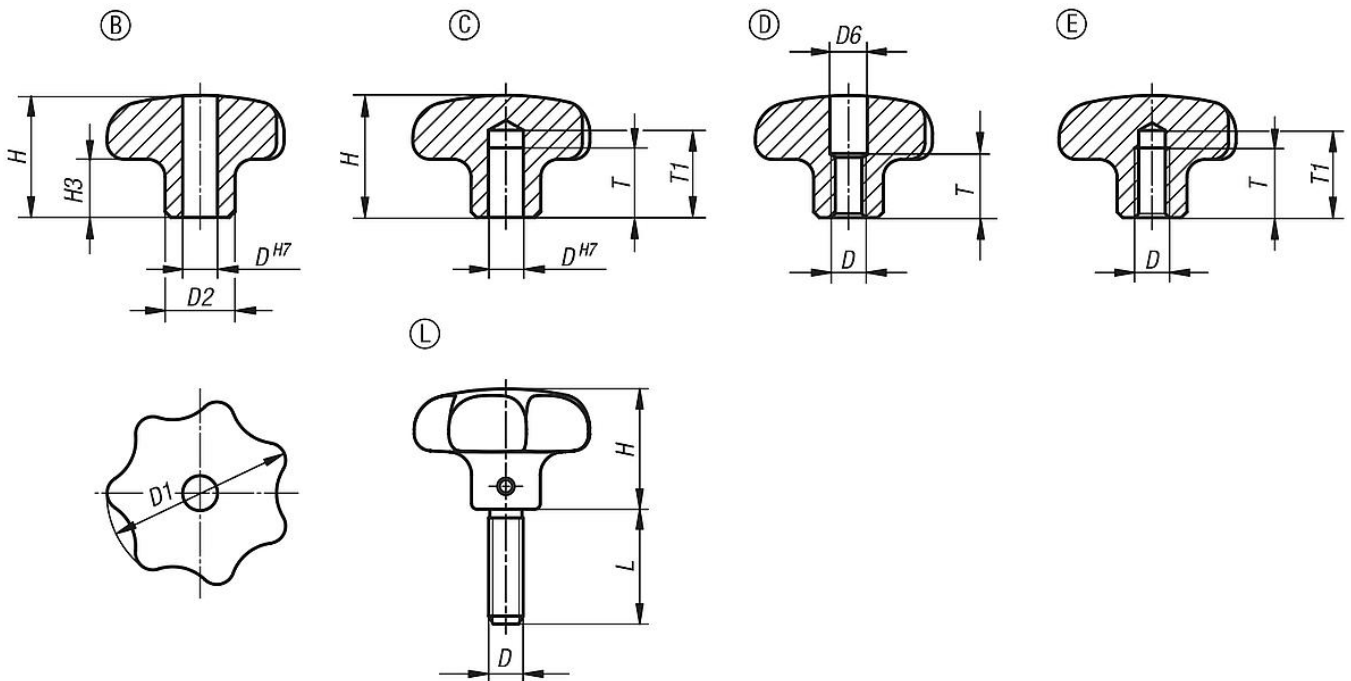
Version:

Ground and polished or blasted.
 Grub screw and pin bright.

Drawing reference:

Form B: drilled through
 Form C: blind hole
 Form D: tapped and counterbored
 Form E: tapped blind hole
 Form L: external thread

Drawings



Overview of items

Star grips in stainless steel, similar to DIN 6336

Order No.	Form	Surface finish body	D	D1	D2	D6	H	H3	L	T	T1
K0150.232062	B	polished	6	32	12	-	21	10	-	-	-
K0150.240082	B	polished	8	40	14	-	26	13	-	-	-
K0150.250102	B	polished	10	50	18	-	34	17	-	-	-
K0150.263122	B	polished	12	63	20	-	42	21	-	-	-
K0150.232063	B	blasted	6	32	12	-	21	10	-	-	-
K0150.240083	B	blasted	8	40	14	-	26	13	-	-	-
K0150.250103	B	blasted	10	50	18	-	34	17	-	-	-

Star grips stainless steel, similar to DIN 6336

Overview of items

Order No.	Form	Surface finish body	D	D1	D2	D6	H	H3	L	T	T1
K0150.263123	B	blasted	12	63	20	-	42	21	-	-	-
K0150.332062	C	polished	6	32	12	-	21	10	-	12	15
K0150.340082	C	polished	8	40	14	-	26	13	-	15	18
K0150.350102	C	polished	10	50	18	-	34	17	-	18	21
K0150.363122	C	polished	12	63	20	-	42	21	-	22	25
K0150.332063	C	blasted	6	32	12	-	21	10	-	12	15
K0150.340083	C	blasted	8	40	14	-	26	13	-	15	18
K0150.350103	C	blasted	10	50	18	-	34	17	-	18	21
K0150.363123	C	blasted	12	63	20	-	42	21	-	22	25
K0150.432062	D	polished	M6	32	12	6,4	21	10	-	11	-
K0150.440082	D	polished	M8	40	14	8,4	26	13	-	14	-
K0150.450102	D	polished	M10	50	18	10,5	34	17	-	18	-
K0150.463122	D	polished	M12	63	20	13	42	21	-	22	-
K0150.432063	D	blasted	M6	32	12	6,4	21	10	-	11	-
K0150.440083	D	blasted	M8	40	14	8,4	26	13	-	14	-
K0150.450103	D	blasted	M10	50	18	10,5	34	17	-	18	-
K0150.463123	D	blasted	M12	63	20	13	42	21	-	22	-
K0150.532062	E	polished	M6	32	12	-	21	10	-	12	15
K0150.540082	E	polished	M8	40	14	-	26	13	-	15	18
K0150.550102	E	polished	M10	50	18	-	34	17	-	18	21
K0150.563122	E	polished	M12	63	20	-	42	21	-	22	25
K0150.532063	E	blasted	M6	32	12	-	21	10	-	12	15
K0150.540083	E	blasted	M8	40	14	-	26	13	-	15	18
K0150.550103	E	blasted	M10	50	18	-	34	17	-	18	21
K0150.563123	E	blasted	M12	63	20	-	42	21	-	22	25
K0150.632063X15	L	blasted	M6	32	12	-	21	10	15	-	-
K0150.632063X20	L	blasted	M6	32	12	-	21	10	20	-	-
K0150.632063X25	L	blasted	M6	32	12	-	21	10	25	-	-
K0150.632063X30	L	blasted	M6	32	12	-	21	10	30	-	-
K0150.640083X20	L	blasted	M8	40	14	-	26	13	20	-	-
K0150.640083X25	L	blasted	M8	40	14	-	26	13	25	-	-
K0150.640083X30	L	blasted	M8	40	14	-	26	13	30	-	-
K0150.640083X40	L	blasted	M8	40	14	-	26	13	40	-	-
K0150.650103X25	L	blasted	M10	50	18	-	34	17	25	-	-
K0150.650103X30	L	blasted	M10	50	18	-	34	17	30	-	-
K0150.650103X40	L	blasted	M10	50	18	-	34	17	40	-	-
K0150.650103X50	L	blasted	M10	50	18	-	34	17	50	-	-
K0150.663123X30	L	blasted	M12	63	20	-	42	21	30	-	-
K0150.663123X40	L	blasted	M12	63	20	-	42	21	40	-	-
K0150.663123X50	L	blasted	M12	63	20	-	42	21	50	-	-
K0150.663123X60	L	blasted	M12	63	20	-	42	21	60	-	-