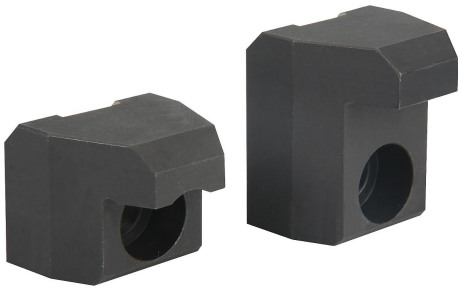


Clamping jaws for floating clamps

Item description/product images

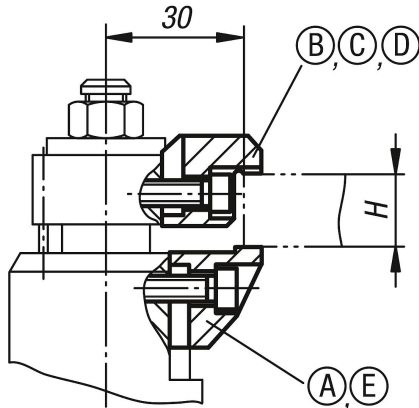


Description

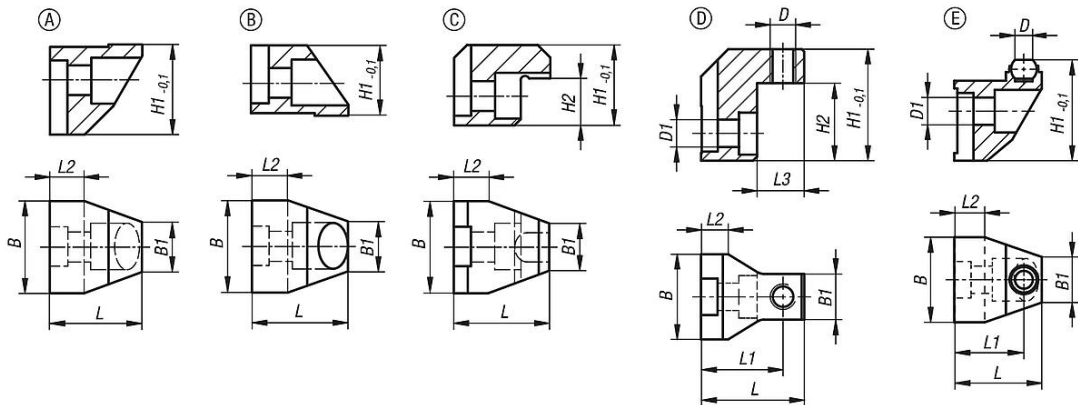
Material:
Steel.

Version:
Nitrided and black oxidised.

Note:
The clamping jaws can be used for floating clamps to increase the clamping range.



Drawings



Overview of items

Clamping jaws for floating clamps

Order No.	Form	Version 1	B	B1	D	D1	H clamping range	H1	H2	L	L1	L2	L3
K1490.90000	A	standard lower jaw	28	15	-	-	-	26,8	-	28	-	10	-
K1490.90012	B	standard upper jaw	28	15	-	-	0-12	21	-	29,5	-	11,5	-
K1490.90416	C	exchange upper jaw	28	15	-	-	4-16	24,5	3,5	29,5	-	11,5	-
K1490.91527	C	exchange upper jaw	28	15	-	-	15-27	24,5	14,5	29,5	-	11,5	-
K1490.92638	C	exchange upper jaw	28	15	-	-	26-38	35,5	25,5	29,5	-	11,5	-
K1490.90029	D	upper jaw	28	15	M8	9	-	29,5	16,5	31,5	24,5	8	16
K1490.90040	D	upper jaw	28	15	M8	9	-	40,5	27,5	31,5	24,5	8	16
K1490.910000	E	lower jaw	28	15	5,8	9	-	32,8	-	30	23	10	-

