

## Swivel castors

### Item description/product images



### Description

**Material:**

Housing steel plate.

Wheels PA 6.

**Version:**

Housing press formed.

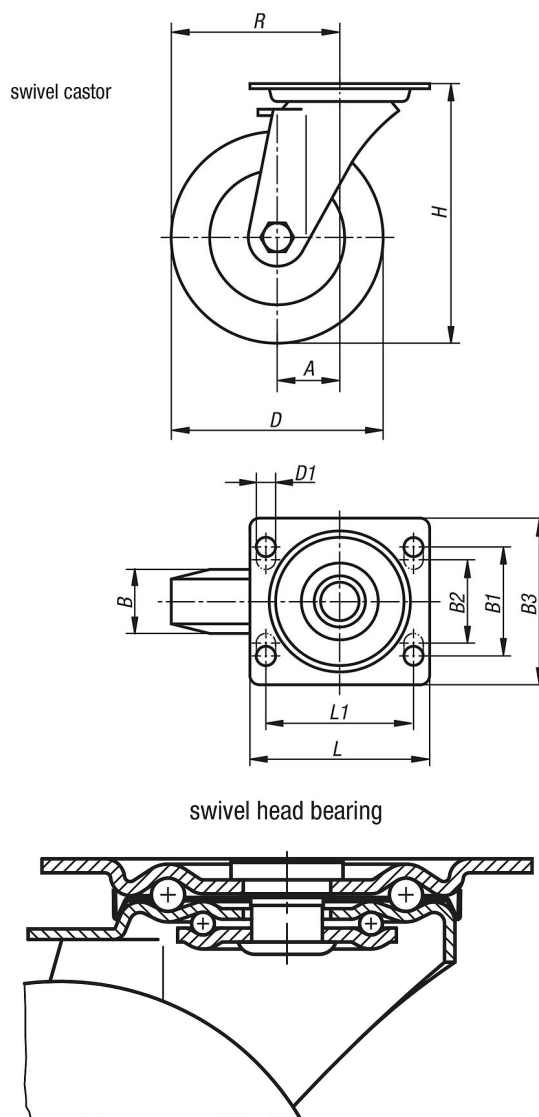
Double ball bearing with ball shield in the castor head.

Plain bearings in the wheels.

**Note:**

The PA 6 wheels have a low rolling resistance, are non-corroding, resist abrasion and are particularly shock and impact proof.

### Drawings



## Overview of items

Order No.	Item	Version 1	Wheel bearing	A	B	B1	B2	B3	D	D1	H	L	L1	R	Permissible load kg
<b>K1770.07532</b>	Swivel castor	without locking system	plain bearing	35	32	60	-	85	75	9	98	100	80	72,5	200
<b>K1770.10037</b>	Swivel castor	without locking system	plain bearing	35	37	60	-	85	100	9	125	100	80	85	200
<b>K1770.12540</b>	Swivel castor	without locking system	plain bearing	40	40	60	-	85	125	9	150	100	80	102,5	200
<b>K1770.15050</b>	Swivel castor	without locking system	plain bearing	60	50	80	75	110	150	11	190	140	105	135	400