

Magnets shallow pot with tapped pin NdFeB, with rubber protective jacket

Item description/product images



Description

Material:

Housing, steel.

Magnetic core NdFeB (neodym).

Protective rubber jacket, synthetic rubber.

Version:

Housing, electro zinc-plated.

Black protective rubber jacket.

Note:

Shallow pot magnets with tapped pin, shielded system. With rubber protective jacket for protecting sensitive surfaces. The coefficient of friction is increased by the rubber jacket so that high lateral friction is achieved.

Temperature range:

max. 60°C.

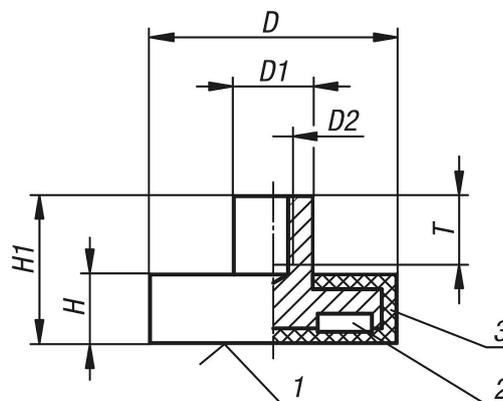
Drawing reference:

1) magnetic face

2) magnet

3) rubber

Drawings



Overview of items

Magnets shallow pot with tapped pin NdFeB, with rubber protective jacket

Order No.	D	D1	D2	H	H1	T	Magnetic force N
K0563.01	12	8	M4	7	14,8	6	10
K0563.07	18	8	M4	6	11,5	6	37
K0563.02	22	8	M4	6	11,5	6	50
K0563.03	31	8	M4	6	11,5	5	75
K0563.04	43	8	M4	6	10,5	5	85
K0563.05	66	10	M5	8,2	15	8	180
K0563.06	88	12	M8	8,2	17	11	420

Magnets shallow pot with tapped pin NdFeB, with rubber protective jacket

Overview of items
