

Seating ledges to clip on

Item description/product images



Description

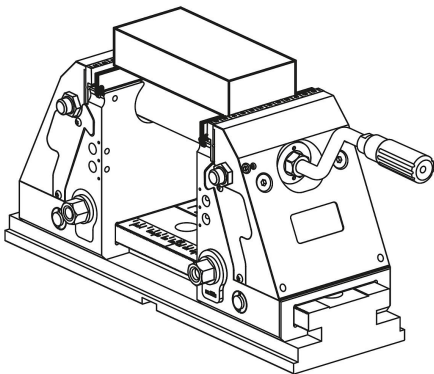
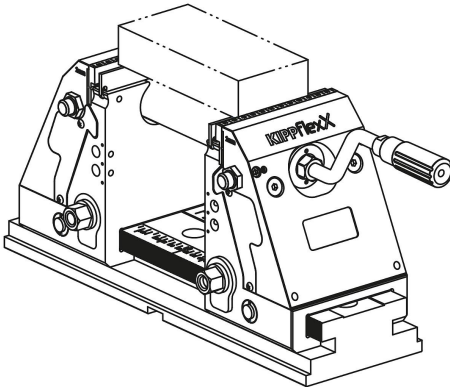
Material:
Hardened steel

Version:
Bright.

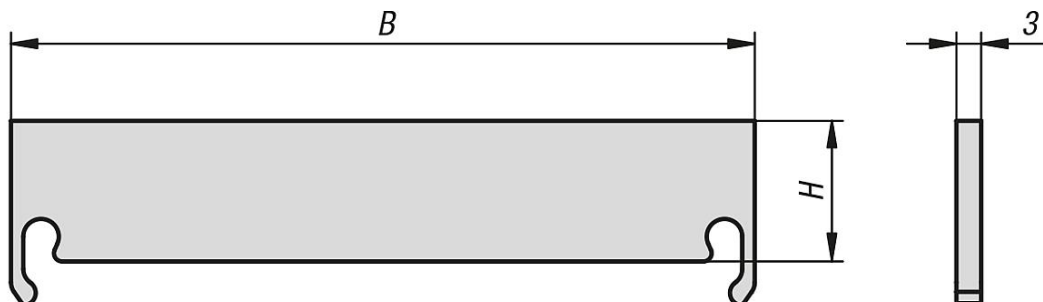
Note:
The seating ledges are suitable for adjusting the clamping depth of the workpiece on the compact 5-axis clamping system/ KIPPflexX.
The 12 mm version does not interfere with the positive-down effect.
By the 17 mm version, the positive-down force is reduced but causes less edge deformation.

Supplied in pairs.

Accessory:
for K0973, K1555



Drawings



Overview of items

Order No.	B	H
K0974.0900312	90	12
K0974.0900317	90	17

Seating ledges to clip on

Overview of items

Order No.	B	H
K0974.1250312	125	12
K0974.1250317	125	17