

# Höhenzylinder

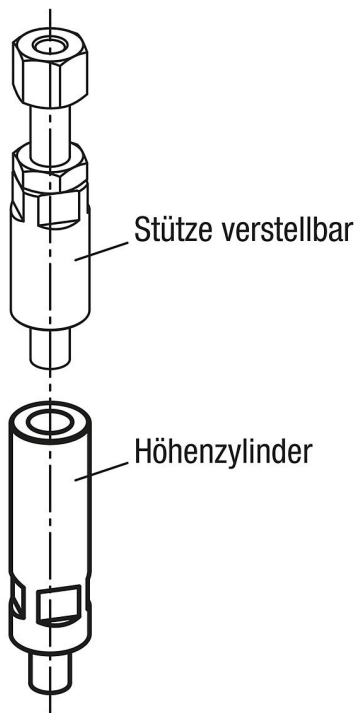
## Artikelbeschreibung/Produktabbildungen



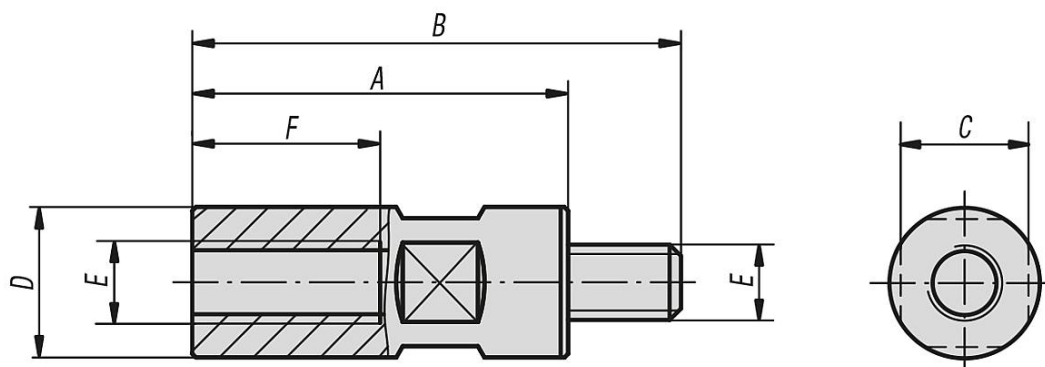
### Beschreibung

**Werkstoff:**  
Vergütungsstahl.

**Ausführung:**  
brüniert.



## Zeichnungen



## Artikelübersicht

### Höhenzylinder

## Artikelübersicht

| Bestellnummer | A   | B   | C  | D  | E   | F  |
|---------------|-----|-----|----|----|-----|----|
| K0924.08032   | 32  | 44  | 13 | 16 | M8  | 20 |
| K0924.08040   | 40  | 52  | 13 | 16 | M8  | 20 |
| K0924.08050   | 50  | 62  | 13 | 16 | M8  | 20 |
| K0924.08065   | 65  | 77  | 13 | 16 | M8  | 20 |
| K0924.08080   | 80  | 92  | 13 | 16 | M8  | 20 |
| K0924.08100   | 100 | 112 | 13 | 16 | M8  | 20 |
| K0924.10040   | 40  | 54  | 17 | 20 | M10 | 25 |
| K0924.10050   | 50  | 64  | 17 | 20 | M10 | 25 |
| K0924.10065   | 65  | 79  | 17 | 20 | M10 | 25 |
| K0924.10080   | 80  | 94  | 17 | 20 | M10 | 25 |
| K0924.10100   | 100 | 114 | 17 | 20 | M10 | 25 |
| K0924.12050   | 50  | 69  | 22 | 24 | M12 | 30 |
| K0924.12065   | 65  | 84  | 22 | 24 | M12 | 30 |
| K0924.12080   | 80  | 99  | 22 | 24 | M12 | 30 |
| K0924.12100   | 100 | 119 | 22 | 24 | M12 | 30 |
| K0924.12125   | 125 | 144 | 22 | 24 | M12 | 30 |
| K0924.12160   | 160 | 179 | 22 | 24 | M12 | 30 |
| K0924.16050   | 50  | 74  | 27 | 32 | M16 | 32 |
| K0924.16065   | 65  | 89  | 27 | 32 | M16 | 40 |
| K0924.16080   | 80  | 104 | 27 | 32 | M16 | 40 |
| K0924.16100   | 100 | 124 | 27 | 32 | M16 | 40 |
| K0924.16125   | 125 | 149 | 27 | 32 | M16 | 40 |
| K0924.16160   | 160 | 184 | 27 | 32 | M16 | 40 |