

Spanneisen verschiebbar

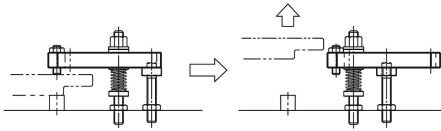
Artikelbeschreibung/Produktabbildungen



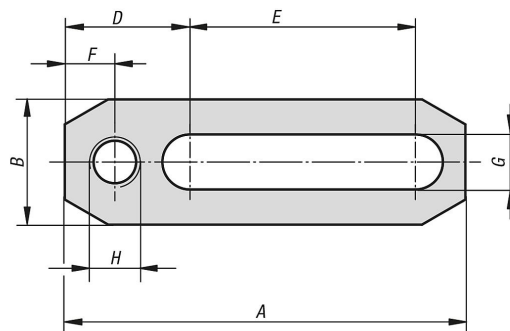
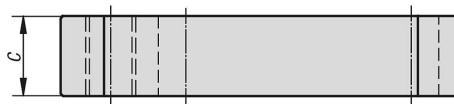
Beschreibung

Werkstoff:
Vergütungsstahl 1.0503.

Ausführung:
vergütet und brüniert.



Zeichnungen



Artikelübersicht

Spanneisen verschiebbar

| Bestellnummer | A | B | C | D | E | F | G | H | Spannkraft N | Anziehdreh- moment max. Nm |
|---------------|-----|----|----|----|-----|----|----|-----|-----------------|----------------------------------|
| K0838.08063 | 63 | 19 | 12 | 19 | 36 | 7 | 9 | M8 | 3200-8000 | 17 |
| K0838.08080 | 80 | 19 | 12 | 19 | 53 | 7 | 9 | M8 | 3500-8600 | 17 |
| K0838.10080 | 80 | 25 | 16 | 25 | 45 | 10 | 11 | M10 | 6800-16900 | 45 |
| K0838.10100 | 100 | 25 | 16 | 25 | 65 | 10 | 11 | M10 | 7300-18300 | 45 |
| K0838.10125 | 125 | 25 | 16 | 25 | 90 | 10 | 11 | M10 | 7700-19300 | 45 |
| K0838.12100 | 100 | 32 | 19 | 28 | 60 | 10 | 13 | M12 | 10200-25600 | 80 |
| K0838.12125 | 125 | 32 | 19 | 28 | 85 | 10 | 13 | M12 | 11000-27500 | 80 |
| K0838.12160 | 160 | 32 | 19 | 28 | 120 | 10 | 13 | M12 | 11600-29000 | 80 |
| K0838.16125 | 125 | 38 | 25 | 36 | 73 | 12 | 17 | M16 | 12100-30300 | 129 |
| K0838.16160 | 160 | 38 | 25 | 36 | 108 | 12 | 17 | M16 | 13200-33000 | 129 |
| K0838.16200 | 200 | 38 | 25 | 36 | 148 | 12 | 17 | M16 | 13900-34700 | 129 |
| K0838.20160 | 160 | 50 | 25 | 45 | 90 | 15 | 21 | M20 | 15000-36000 | 183 |
| K0838.20200 | 200 | 50 | 32 | 45 | 130 | 15 | 21 | M20 | 16000-37000 | 183 |
| K0838.20250 | 250 | 50 | 32 | 45 | 180 | 15 | 21 | M20 | 17000-38000 | 183 |

