

Pull handles, aluminium with plastic grip legs

Item description/product images

19"



Description

Material:

Grip aluminium.

Legs glass-bead reinforced polyamide.

Version:

Grip matt-finished and natural tone or black anodised.

Legs fine structure semi-matt, black.

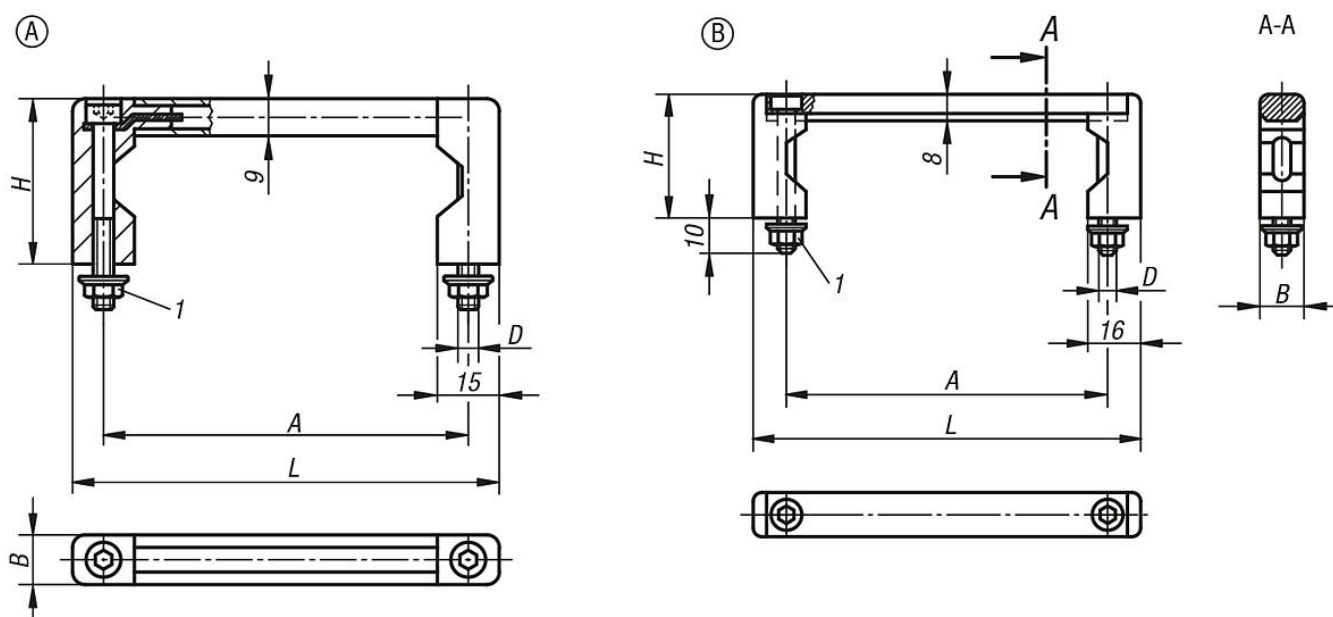
Assembly:

From the front.

Drawing reference:

1) Toothed locknut

Drawings



Overview of items

Pull handles

Order No.	Form	Main colour	A	B	D	H	L	Load capacity N
K0216.05501	A	black	55	12	M5	40	70	1000
K0216.08801	A	black	88	12	M5	40	103	1000
K0216.10001	A	black	100	12	M5	40	115	1000
K0216.12001	A	black	120	12	M5	40	135	1000
K0216.18001	A	black	180	12	M5	40	195	1000
K0216.23501	A	black	235	12	M5	40	250	1000
K0216.05503	A	natural	55	12	M5	40	70	1000
K0216.08803	A	natural	88	12	M5	40	103	1000
K0216.10003	A	natural	100	12	M5	40	115	1000
K0216.12003	A	natural	120	12	M5	40	135	1000
K0216.18003	A	natural	180	12	M5	40	195	1000

Pull handles, aluminium with plastic grip legs

Overview of items

Order No.	Form	Main colour	A	B	D	H	L	Load capacity N
K0216.23503	A	natural	235	12	M5	40	250	1000
K0216.055101	B	black	55	12	M5	40	75	1000
K0216.088101	B	black	88	12	M5	40	108	1000
K0216.100101	B	black	100	12	M5	40	120	1000
K0216.120101	B	black	120	12	M5	40	140	1000
K0216.180101	B	black	180	12	M5	40	200	1000
K0216.235101	B	black	235	12	M5	40	255	1000
K0216.055103	B	natural	55	12	M5	40	75	1000
K0216.088103	B	natural	88	12	M5	40	108	1000
K0216.100103	B	natural	100	12	M5	40	120	1000
K0216.120103	B	natural	120	12	M5	40	140	1000
K0216.180103	B	natural	180	12	M5	40	200	1000
K0216.235103	B	natural	235	12	M5	40	255	1000