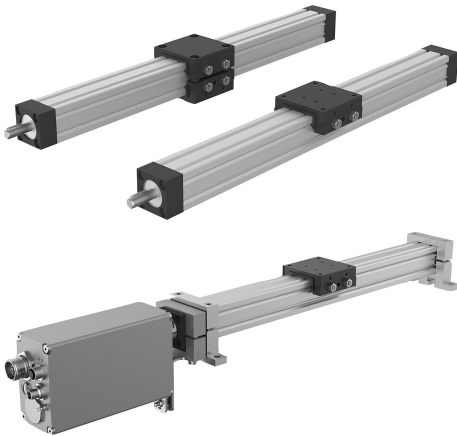


Linear actuators, aluminium, square

Item description/product images



Description

Material:

Profile tube aluminium.
End caps aluminium
Spindle steel.

Version:

Profile tube natural tone anodised. End caps black anodised.

Note:

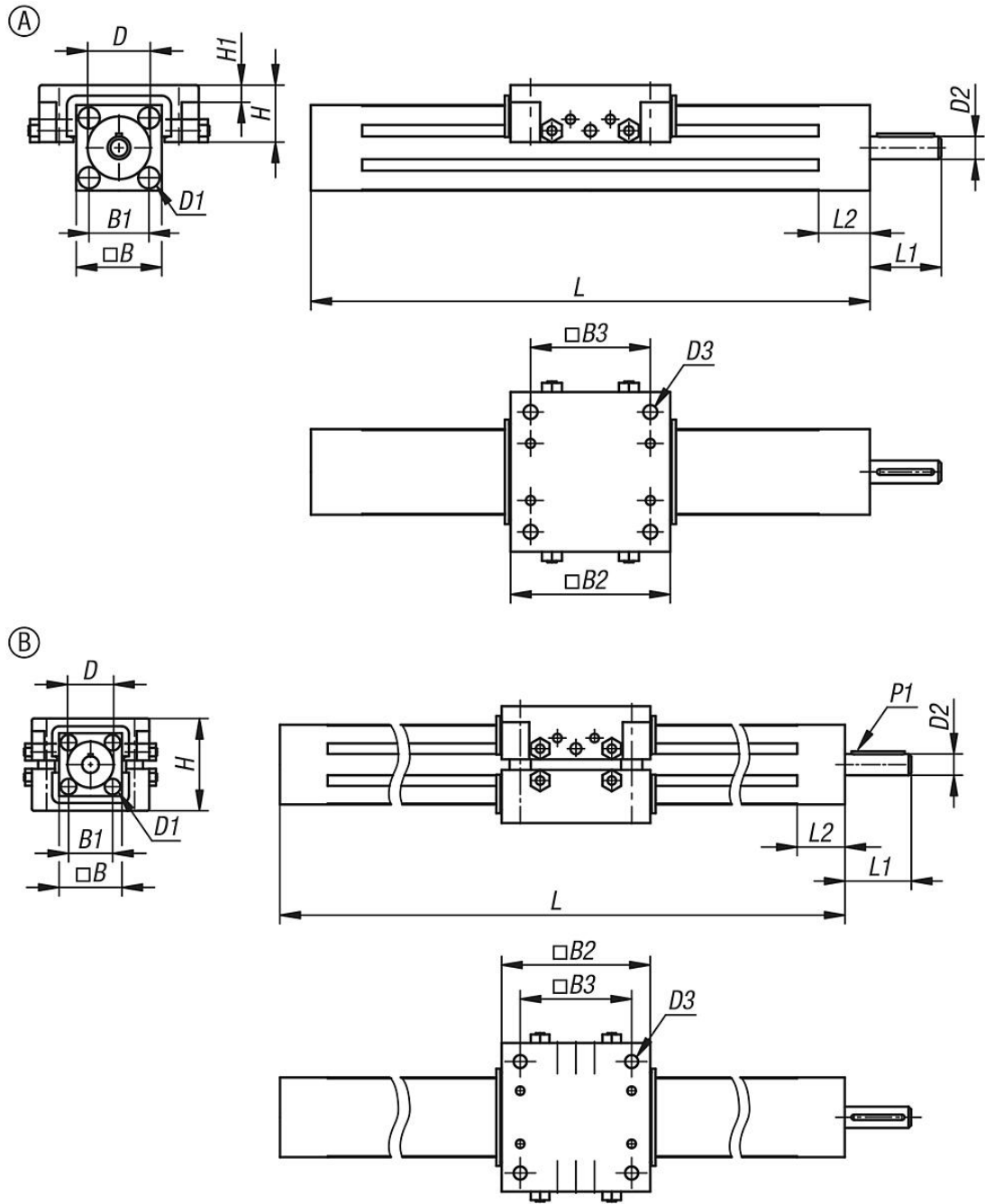
These linear actuators are used for linear movements and positioning. The slides are moved via a threaded spindle. This movement can be carried out either manually using a handwheel or via an electric drive. The slides are guided play-free on profile rails.

Temperature range:

0 °C to +60 °C

Linear actuators, aluminium, square

Drawings



Overview of items

Linear actuators, aluminium, square

Order No.	Form	Form definition	B	B1	B2	B3	D	D1	D2	D3	H	H1	Travel S	L	L1	L2	Spindle	Typ EV
K2355.030X300	A	Mounting bracket one-side	30	21	56	42	22	M04x25	8	M6	20	7	204	300	25	18	Tr 14x3	30
K2355.030X500	A	Mounting bracket one-side	30	21	56	42	22	M04x25	8	M6	20	7	404	500	25	18	Tr 14x3	30
K2355.030X800	A	Mounting bracket one-side	30	21	56	42	22	M04x25	8	M6	20	7	704	800	25	18	Tr 14x3	30
K2355.040X1000	A	Mounting bracket one-side	40	29	68	54	28	M05x30	10	M6	26	8	885	1000	28	22	Tr18x4	40
K2355.040X300	A	Mounting bracket one-side	40	29	68	54	28	M05x30	10	M6	26	8	185	300	28	22	Tr18x4	40
K2355.040X500	A	Mounting bracket one-side	40	29	68	54	28	M05x30	10	M6	26	8	385	500	28	22	Tr18x4	40
K2355.040X800	A	Mounting bracket one-side	40	29	68	54	28	M05x30	10	M6	26	8	685	800	28	22	Tr18x4	40
K2355.050X1000	A	Mounting bracket one-side	50	38	85	67	35	M06x30	12	M8	33	10	860	1000	30	25	Tr 20x4	50

Linear actuators, aluminium, square

Overview of items

Order No.	Form	Form definition	B	B1	B2	B3	D	D1	D2	D3	H	H1	Travel S	L	L1	L2	Spindle	Typ EV
K2355.050X500	A	Mounting bracket one-side	50	38	85	67	35	M06x30	12	M8	33	10	360	500	30	25	Tr 20x4	50
K2355.050X800	A	Mounting bracket one-side	50	38	85	67	35	M06x30	12	M8	33	10	660	800	30	25	Tr 20x4	50
K2355.130X300	B	Mounting bracket both sides	30	21	56	42	22	M04x25	8	M6	44	7	204	300	25	18	Tr 14x3	30
K2355.130X500	B	Mounting bracket both sides	30	21	56	42	22	M04x25	8	M6	44	7	404	500	25	18	Tr 14x3	30
K2355.130X800	B	Mounting bracket both sides	30	21	56	42	22	M04x25	8	M6	44	7	704	800	25	18	Tr 14x3	30
K2355.140X1000	B	Mounting bracket both sides	40	29	68	54	28	M05x30	10	M6	56	8	885	1000	28	22	Tr18x4	40
K2355.140X300	B	Mounting bracket both sides	40	29	68	54	28	M05x30	10	M6	56	8	185	300	28	22	Tr18x4	40
K2355.140X500	B	Mounting bracket both sides	40	29	68	54	28	M05x30	10	M6	56	8	385	500	28	22	Tr18x4	40
K2355.140X800	B	Mounting bracket both sides	40	29	68	54	28	M05x30	10	M6	56	8	685	800	28	22	Tr18x4	40
K2355.150X1000	B	Mounting bracket both sides	50	38	85	67	35	M06x30	12	M8	70	10	860	1000	30	25	Tr 20x4	50
K2355.150X500	B	Mounting bracket both sides	50	38	85	67	35	M06x30	12	M8	70	10	360	500	30	25	Tr 20x4	50
K2355.150X800	B	Mounting bracket both sides	50	38	85	67	35	M06x30	12	M8	70	10	660	800	30	25	Tr 20x4	50