

## Wheels heavy-load wheel body welded

### Item description/product images



### Description

#### Material:

Wheel body welded steel construction.

Tread Extrathane®.

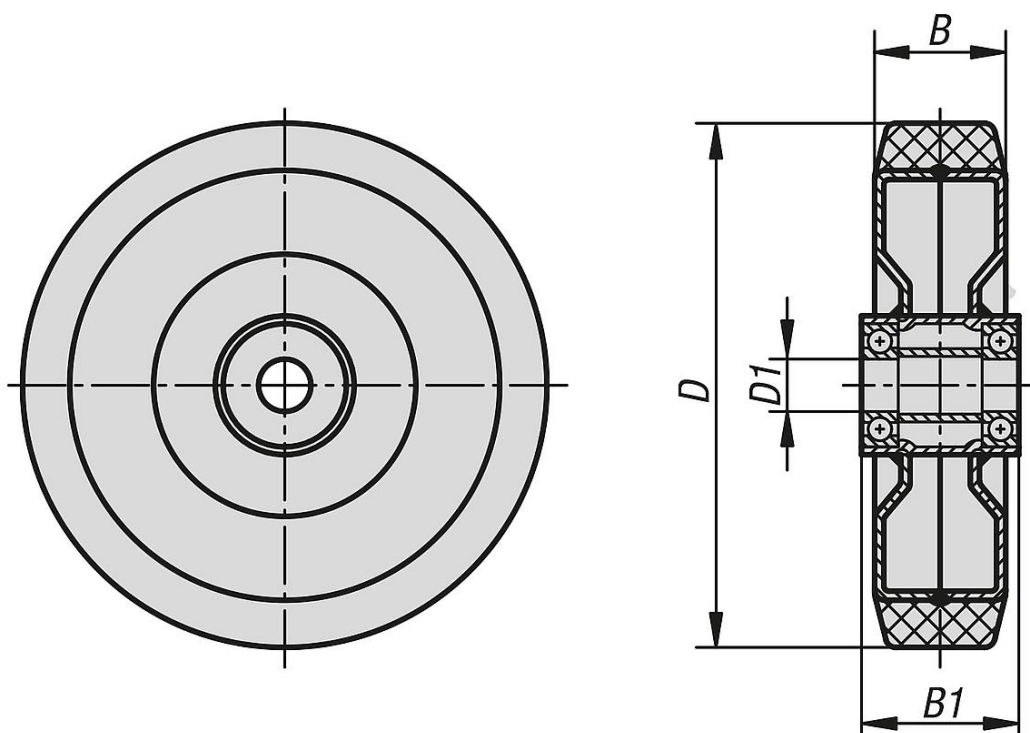
#### Note:

Extrathane treads are elastic, resist abrasion, gentle to floors, low-noise and have particularly high elastic restoration after long standing.

Application temperature from -40 °C to +80 °C.

Suitable as replacement rollers for the castors K1768 and K1769.

### Drawings



### Overview of items

#### Wheels heavy-load wheel body welded

Order No.	Wheel bearing	D	D1	B	B1	Permissible load kg
K1782.12550	Ball bearing	125	20	50	60	500
K1782.16050	Ball bearing	160	20	50	60	700

## Wheels heavy-load wheel body welded

### Overview of items

Order No.	Wheel bearing	D	D1	B	B1	Permissible load kg
<b>K1782.20050</b>	Ball bearing	200	20	50	60	1000
<b>K1782.25060</b>	Ball bearing	250	25	60	70	1350