

## Sechskantschrauben mit Flansch DIN EN 1665

### Artikelbeschreibung/Produktabbildungen

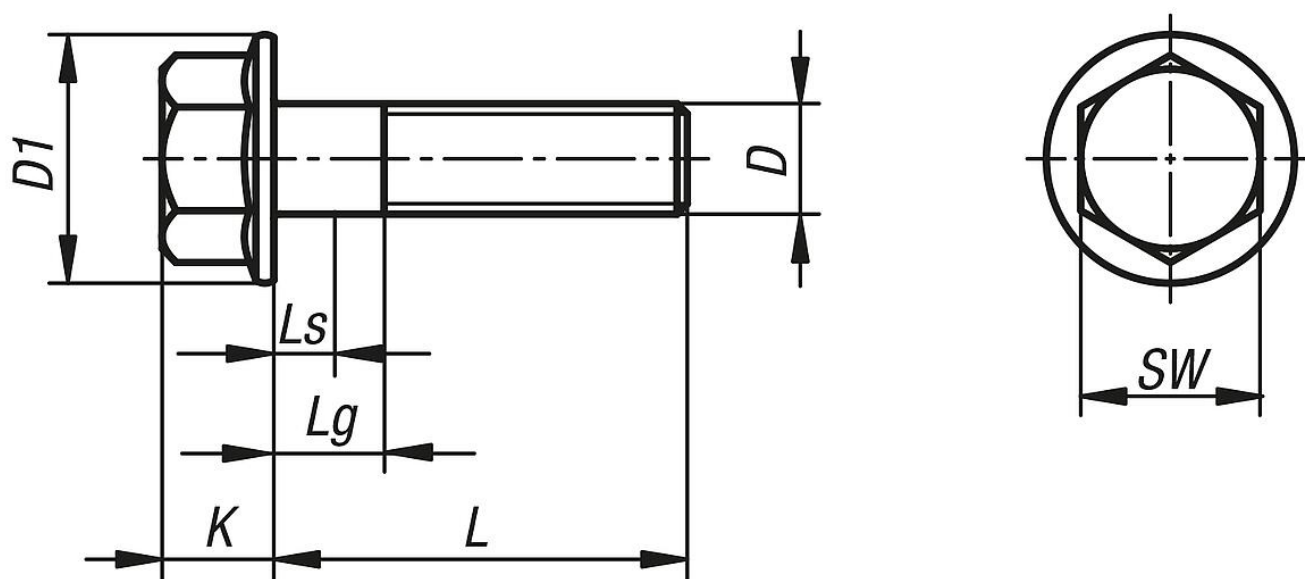


### Beschreibung

**Werkstoff:**  
Stahl oder Edelstahl A2.

**Ausführung:**  
Stahl Festigkeitsklasse 8.8, galvanisch verzinkt.  
Stahl Festigkeitsklasse 10.9, galvanisch verzinkt.  
Edelstahl blank.

### Zeichnungen



### Artikelübersicht

#### Sechskantschrauben mit Flansch DIN EN 1665

| Bestellnummer | Material<br>Grundkörper | Festigkeitsklasse | D   | L  | Ls<br>min. | Lg<br>max. | D1   | SW | K    |
|---------------|-------------------------|-------------------|-----|----|------------|------------|------|----|------|
| K1161.406X12  | Stahl                   | 8.8               | M6  | 12 | 0          | 0          | 14,2 | 10 | 6,6  |
| K1161.406X16  | Stahl                   | 8.8               | M6  | 16 | 0          | 0          | 14,2 | 10 | 6,6  |
| K1161.406X20  | Stahl                   | 8.8               | M6  | 20 | 0          | 0          | 14,2 | 10 | 6,6  |
| K1161.406X25  | Stahl                   | 8.8               | M6  | 25 | 0          | 0          | 14,2 | 10 | 6,6  |
| K1161.406X30  | Stahl                   | 8.8               | M6  | 30 | 7          | 12         | 14,2 | 10 | 6,6  |
| K1161.408X12  | Stahl                   | 8.8               | M8  | 12 | 0          | 0          | 18   | 13 | 8,1  |
| K1161.408X16  | Stahl                   | 8.8               | M8  | 16 | 0          | 0          | 18   | 13 | 8,1  |
| K1161.408X20  | Stahl                   | 8.8               | M8  | 20 | 0          | 0          | 18   | 13 | 8,1  |
| K1161.408X25  | Stahl                   | 8.8               | M8  | 25 | 0          | 0          | 18   | 13 | 8,1  |
| K1161.408X30  | Stahl                   | 8.8               | M8  | 30 | 0          | 0          | 18   | 13 | 8,1  |
| K1161.408X35  | Stahl                   | 8.8               | M8  | 35 | 6,75       | 13         | 18   | 13 | 8,1  |
| K1161.408X40  | Stahl                   | 8.8               | M8  | 40 | 11,75      | 18         | 18   | 13 | 8,1  |
| K1161.408X50  | Stahl                   | 8.8               | M8  | 50 | 21,75      | 28         | 18   | 13 | 8,1  |
| K1161.408X60  | Stahl                   | 8.8               | M8  | 60 | 31,75      | 38         | 18   | 13 | 8,1  |
| K1161.410X20  | Stahl                   | 8.8               | M10 | 20 | 0          | 0          | 22,3 | 16 | 10,4 |
| K1161.410X25  | Stahl                   | 8.8               | M10 | 25 | 0          | 0          | 22,3 | 16 | 10,4 |
| K1161.410X30  | Stahl                   | 8.8               | M10 | 30 | 0          | 0          | 22,3 | 16 | 10,4 |
| K1161.410X35  | Stahl                   | 8.8               | M10 | 35 | 0          | 0          | 22,3 | 16 | 10,4 |
| K1161.410X40  | Stahl                   | 8.8               | M10 | 40 | 6,5        | 14         | 22,3 | 16 | 10,4 |
| K1161.410X50  | Stahl                   | 8.8               | M10 | 50 | 16,5       | 24         | 22,3 | 16 | 10,4 |

# Sechskantschrauben mit Flansch DIN EN 1665

## Artikelübersicht

| Bestellnummer | Material<br>Grundkörper | Festigkeitsklasse | D   | L  | ls<br>min. | Lg<br>max. | D1   | SW | K    |
|---------------|-------------------------|-------------------|-----|----|------------|------------|------|----|------|
| K1161.412X20  | Stahl                   | 8.8               | M12 | 20 | 0          | 0          | 26,6 | 18 | 11,8 |
| K1161.412X25  | Stahl                   | 8.8               | M12 | 25 | 0          | 0          | 26,6 | 18 | 11,8 |
| K1161.412X30  | Stahl                   | 8.8               | M12 | 30 | 0          | 0          | 26,6 | 18 | 11,8 |
| K1161.412X40  | Stahl                   | 8.8               | M12 | 40 | 0          | 0          | 26,6 | 18 | 11,8 |
| K1161.412X50  | Stahl                   | 8.8               | M12 | 50 | 11,25      | 20         | 26,6 | 18 | 11,8 |
| K1161.416X30  | Stahl                   | 8.8               | M16 | 30 | 0          | 0          | 35   | 24 | 15,4 |
| K1161.416X35  | Stahl                   | 8.8               | M16 | 35 | 0          | 0          | 35   | 24 | 15,4 |
| K1161.416X40  | Stahl                   | 8.8               | M16 | 40 | 0          | 0          | 35   | 24 | 15,4 |
| K1161.416X45  | Stahl                   | 8.8               | M16 | 45 | 0          | 0          | 35   | 24 | 15,4 |
| K1161.416X50  | Stahl                   | 8.8               | M16 | 50 | 0          | 0          | 35   | 24 | 15,4 |
| K1161.416X70  | Stahl                   | 8.8               | M16 | 70 | 22         | 32         | 35   | 24 | 15,4 |
| K1161.506X12  | Stahl                   | 10.9              | M6  | 12 | 0          | 0          | 14,2 | 10 | 6,6  |
| K1161.506X16  | Stahl                   | 10.9              | M6  | 16 | 0          | 0          | 14,2 | 10 | 6,6  |
| K1161.506X20  | Stahl                   | 10.9              | M6  | 20 | 0          | 0          | 14,2 | 10 | 6,6  |
| K1161.506X25  | Stahl                   | 10.9              | M6  | 25 | 0          | 0          | 14,2 | 10 | 6,6  |
| K1161.506X30  | Stahl                   | 10.9              | M6  | 30 | 7          | 12         | 14,2 | 10 | 6,6  |
| K1161.508X12  | Stahl                   | 10.9              | M8  | 12 | 0          | 0          | 18   | 13 | 8,1  |
| K1161.508X16  | Stahl                   | 10.9              | M8  | 16 | 0          | 0          | 18   | 13 | 8,1  |
| K1161.508X20  | Stahl                   | 10.9              | M8  | 20 | 0          | 0          | 18   | 13 | 8,1  |
| K1161.508X25  | Stahl                   | 10.9              | M8  | 25 | 0          | 0          | 18   | 13 | 8,1  |
| K1161.508X30  | Stahl                   | 10.9              | M8  | 30 | 0          | 0          | 18   | 13 | 8,1  |
| K1161.508X35  | Stahl                   | 10.9              | M8  | 35 | 6,75       | 13         | 18   | 13 | 8,1  |
| K1161.508X40  | Stahl                   | 10.9              | M8  | 40 | 11,75      | 18         | 18   | 13 | 8,1  |
| K1161.510X25  | Stahl                   | 10.9              | M10 | 25 | 0          | 0          | 22,3 | 16 | 10,4 |
| K1161.510X30  | Stahl                   | 10.9              | M10 | 30 | 0          | 0          | 22,3 | 16 | 10,4 |
| K1161.510X40  | Stahl                   | 10.9              | M10 | 40 | 6,5        | 14         | 22,3 | 16 | 10,4 |
| K1161.512X20  | Stahl                   | 10.9              | M12 | 20 | 0          | 0          | 26,6 | 18 | 11,8 |
| K1161.512X35  | Stahl                   | 10.9              | M12 | 35 | 0          | 0          | 26,6 | 18 | 11,8 |
| K1161.512X40  | Stahl                   | 10.9              | M12 | 40 | 0          | 0          | 26,6 | 18 | 11,8 |
| K1161.512X45  | Stahl                   | 10.9              | M12 | 45 | 6,25       | 15         | 26,6 | 18 | 11,8 |
| K1161.512X50  | Stahl                   | 10.9              | M12 | 50 | 11,25      | 20         | 26,6 | 18 | 11,8 |
| K1161.516X30  | Stahl                   | 10.9              | M16 | 30 | 0          | 0          | 35   | 24 | 15,4 |
| K1161.516X35  | Stahl                   | 10.9              | M16 | 35 | 0          | 0          | 35   | 24 | 15,4 |
| K1161.516X40  | Stahl                   | 10.9              | M16 | 40 | 0          | 0          | 35   | 24 | 15,4 |
| K1161.516X45  | Stahl                   | 10.9              | M16 | 45 | 0          | 0          | 35   | 24 | 15,4 |
| K1161.516X50  | Stahl                   | 10.9              | M16 | 50 | 0          | 0          | 35   | 24 | 15,4 |
| K1161.516X60  | Stahl                   | 10.9              | M16 | 60 | 12         | 22         | 35   | 24 | 15,4 |
| K1161.106X12  | Edelstahl A2            | 70                | M6  | 12 | 0          | 0          | 14,2 | 10 | 6,6  |
| K1161.106X16  | Edelstahl A2            | 70                | M6  | 16 | 0          | 0          | 14,2 | 10 | 6,6  |
| K1161.106X20  | Edelstahl A2            | 70                | M6  | 20 | 0          | 0          | 14,2 | 10 | 6,6  |
| K1161.106X25  | Edelstahl A2            | 70                | M6  | 25 | 0          | 0          | 14,2 | 10 | 6,6  |
| K1161.106X30  | Edelstahl A2            | 70                | M6  | 30 | 7          | 12         | 14,2 | 10 | 6,6  |
| K1161.108X16  | Edelstahl A2            | 70                | M8  | 16 | 0          | 0          | 18   | 13 | 8,1  |
| K1161.108X20  | Edelstahl A2            | 70                | M8  | 20 | 0          | 0          | 18   | 13 | 8,1  |
| K1161.108X25  | Edelstahl A2            | 70                | M8  | 25 | 0          | 0          | 18   | 13 | 8,1  |
| K1161.108X30  | Edelstahl A2            | 70                | M8  | 30 | 0          | 0          | 18   | 13 | 8,1  |
| K1161.108X35  | Edelstahl A2            | 70                | M8  | 35 | 6,75       | 13         | 18   | 13 | 8,1  |
| K1161.108X40  | Edelstahl A2            | 70                | M8  | 40 | 11,75      | 18         | 18   | 13 | 8,1  |
| K1161.108X50  | Edelstahl A2            | 70                | M8  | 50 | 21,75      | 28         | 18   | 13 | 8,1  |
| K1161.110X20  | Edelstahl A2            | 70                | M10 | 20 | 0          | 0          | 22,3 | 16 | 10,4 |
| K1161.110X25  | Edelstahl A2            | 70                | M10 | 25 | 0          | 0          | 22,3 | 16 | 10,4 |
| K1161.110X30  | Edelstahl A2            | 70                | M10 | 30 | 0          | 0          | 22,3 | 16 | 10,4 |
| K1161.110X35  | Edelstahl A2            | 70                | M10 | 35 | 0          | 0          | 22,3 | 16 | 10,4 |
| K1161.110X40  | Edelstahl A2            | 70                | M10 | 40 | 6,5        | 14         | 22,3 | 16 | 10,4 |
| K1161.110X50  | Edelstahl A2            | 70                | M10 | 50 | 11,5       | 19         | 22,3 | 16 | 10,4 |
| K1161.110X60  | Edelstahl A2            | 70                | M10 | 60 | 16,5       | 24         | 22,3 | 16 | 10,4 |

