

Sterngriffe mit vorstehender Stahlbuchse

Artikelbeschreibung/Produktabbildungen



Beschreibung

Werkstoff:

Thermoplast, schwarz.

Stahlteile Festigkeitsklasse 5.8 oder Edelstahl 1.4305.

Ausführung:

Stahlteile blau passiviert oder Edelstahl blank.

Hinweis:

Sterngriffe mit vorstehender Stahlbuchse eignen sich als Sackloch- oder Innengewindeausführung besonders für Querstiftverbindungen.

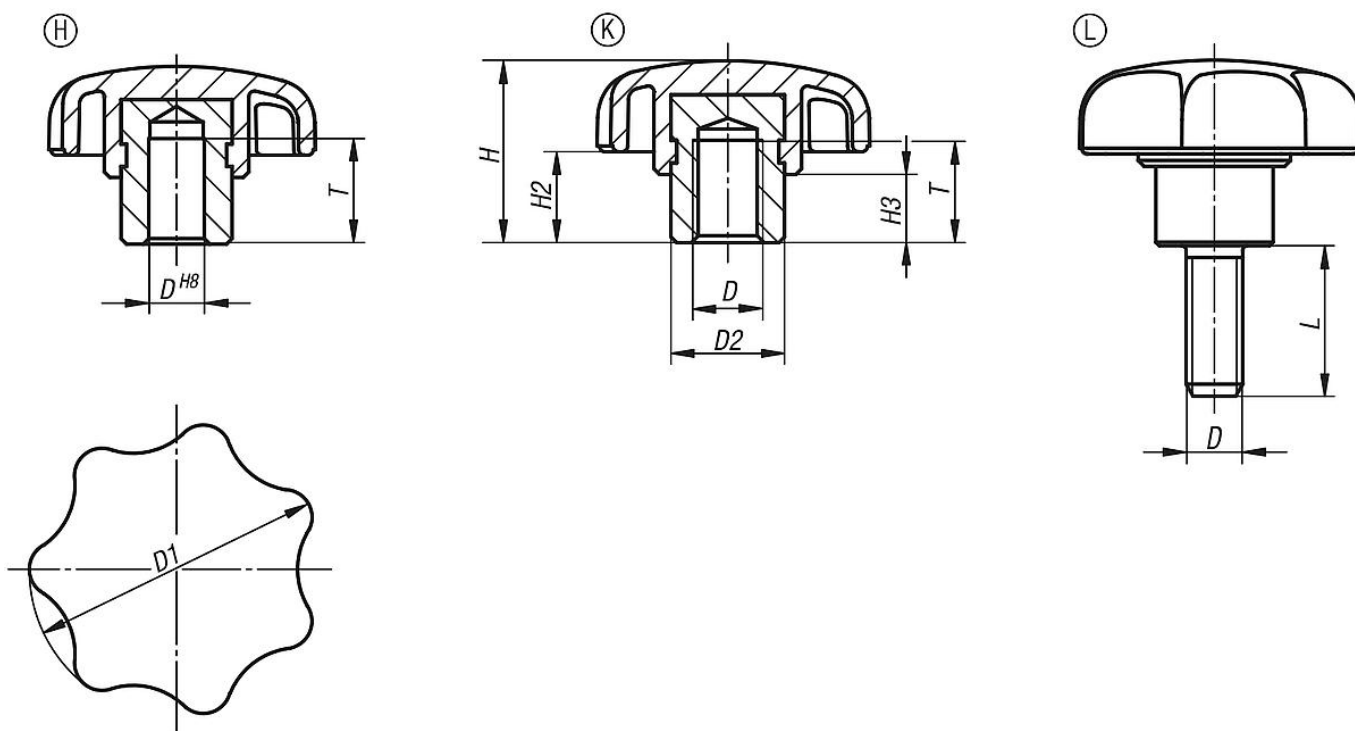
Zeichnungshinweis:

Form H: Buchse mit Sackloch

Form K: Gewindebuchse

Form L: Außengewinde

Zeichnungen



Artikelübersicht

Sterngriffe mit vorstehender Stahlbuchse

| Bestellnummer | Form | Material Komponente | D | D1 | D2 | H | H2 | H3 | L | T |
|---------------|------|---------------------|----|----|------|----|----|-----|---|------|
| K0153.105 | H | Stahl | 5 | 25 | 10 | 17 | 9 | 7 | - | 9,5 |
| K0153.106 | H | Stahl | 6 | 32 | 13,5 | 21 | 11 | 9,5 | - | 12,5 |
| K0153.1061 | H | Stahl | 6 | 40 | 13,5 | 25 | 13 | 10 | - | 12,5 |
| K0153.108 | H | Stahl | 8 | 40 | 13,5 | 25 | 13 | 10 | - | 12,5 |
| K0153.1081 | H | Stahl | 8 | 50 | 19 | 32 | 17 | 12 | - | 19,5 |
| K0153.110 | H | Stahl | 10 | 50 | 19 | 32 | 17 | 12 | - | 19,5 |

Sterngriffe mit vorstehender Stahlbuchse

Artikelübersicht

| Bestellnummer | Form | Material Komponente | D | D1 | D2 | H | H2 | H3 | L | T |
|---------------|------|---------------------|-----|----|------|----|----|-----|----|------|
| K0153.1101 | H | Stahl | 10 | 63 | 19 | 37 | 18 | 12 | - | 19,5 |
| K0153.112 | H | Stahl | 12 | 63 | 19 | 37 | 18 | 12 | - | 19,5 |
| K0153.116 | H | Stahl | 16 | 63 | 23 | 40 | 21 | 15 | - | 24,5 |
| K0153.205 | K | Stahl | M5 | 25 | 10 | 17 | 9 | 7 | - | 9 |
| K0153.206 | K | Stahl | M6 | 32 | 13,5 | 21 | 11 | 9,5 | - | 12 |
| K0153.2061 | K | Stahl | M6 | 40 | 13,5 | 25 | 13 | 10 | - | 12 |
| K0153.208 | K | Stahl | M8 | 40 | 13,5 | 25 | 13 | 10 | - | 12 |
| K0153.2081 | K | Stahl | M8 | 50 | 19 | 32 | 17 | 12 | - | 17 |
| K0153.210 | K | Stahl | M10 | 50 | 19 | 32 | 17 | 12 | - | 17 |
| K0153.2101 | K | Stahl | M10 | 63 | 19 | 37 | 18 | 12 | - | 17 |
| K0153.212 | K | Stahl | M12 | 63 | 19 | 37 | 18 | 12 | - | 17 |
| K0153.216 | K | Stahl | M16 | 63 | 23 | 40 | 21 | 15 | - | 23 |
| K0153.305 | K | Edelstahl | M5 | 25 | 10 | 17 | 9 | 7 | - | 9 |
| K0153.306 | K | Edelstahl | M6 | 32 | 13,5 | 21 | 11 | 9,5 | - | 12 |
| K0153.3061 | K | Edelstahl | M6 | 40 | 13,5 | 25 | 13 | 10 | - | 12 |
| K0153.308 | K | Edelstahl | M8 | 40 | 13,5 | 25 | 13 | 10 | - | 12 |
| K0153.3081 | K | Edelstahl | M8 | 50 | 19 | 32 | 17 | 12 | - | 17 |
| K0153.310 | K | Edelstahl | M10 | 50 | 19 | 32 | 17 | 12 | - | 17 |
| K0153.3101 | K | Edelstahl | M10 | 63 | 19 | 37 | 18 | 12 | - | 17 |
| K0153.312 | K | Edelstahl | M12 | 63 | 19 | 37 | 18 | 12 | - | 17 |
| K0153.316 | K | Edelstahl | M16 | 63 | 23 | 40 | 21 | 15 | - | 23 |
| K0153.405X10 | L | Stahl | M5 | 25 | 10 | 17 | 9 | 7 | 10 | - |
| K0153.405X15 | L | Stahl | M5 | 25 | 10 | 17 | 9 | 7 | 15 | - |
| K0153.405X20 | L | Stahl | M5 | 25 | 10 | 17 | 9 | 7 | 20 | - |
| K0153.406X10 | L | Stahl | M6 | 32 | 13,5 | 21 | 11 | 9,5 | 10 | - |
| K0153.406X15 | L | Stahl | M6 | 32 | 13,5 | 21 | 11 | 9,5 | 15 | - |
| K0153.406X20 | L | Stahl | M6 | 32 | 13,5 | 21 | 11 | 9,5 | 20 | - |
| K0153.406X25 | L | Stahl | M6 | 32 | 13,5 | 21 | 11 | 9,5 | 25 | - |
| K0153.406X30 | L | Stahl | M6 | 32 | 13,5 | 21 | 11 | 9,5 | 30 | - |
| K0153.408X15 | L | Stahl | M8 | 40 | 13,5 | 25 | 13 | 10 | 15 | - |
| K0153.408X20 | L | Stahl | M8 | 40 | 13,5 | 25 | 13 | 10 | 20 | - |
| K0153.408X25 | L | Stahl | M8 | 40 | 13,5 | 25 | 13 | 10 | 25 | - |
| K0153.408X30 | L | Stahl | M8 | 40 | 13,5 | 25 | 13 | 10 | 30 | - |
| K0153.408X40 | L | Stahl | M8 | 40 | 13,5 | 25 | 13 | 10 | 40 | - |
| K0153.408X50 | L | Stahl | M8 | 40 | 13,5 | 25 | 13 | 10 | 50 | - |
| K0153.410X20 | L | Stahl | M10 | 50 | 19 | 32 | 17 | 12 | 20 | - |
| K0153.410X25 | L | Stahl | M10 | 50 | 19 | 32 | 17 | 12 | 25 | - |
| K0153.410X30 | L | Stahl | M10 | 50 | 19 | 32 | 17 | 12 | 30 | - |
| K0153.410X40 | L | Stahl | M10 | 50 | 19 | 32 | 17 | 12 | 40 | - |
| K0153.410X50 | L | Stahl | M10 | 50 | 19 | 32 | 17 | 12 | 50 | - |
| K0153.410X60 | L | Stahl | M10 | 50 | 19 | 32 | 17 | 12 | 60 | - |
| K0153.412X20 | L | Stahl | M12 | 63 | 19 | 37 | 18 | 12 | 20 | - |
| K0153.412X25 | L | Stahl | M12 | 63 | 19 | 37 | 18 | 12 | 25 | - |
| K0153.412X30 | L | Stahl | M12 | 63 | 19 | 37 | 18 | 12 | 30 | - |
| K0153.412X40 | L | Stahl | M12 | 63 | 19 | 37 | 18 | 12 | 40 | - |
| K0153.412X50 | L | Stahl | M12 | 63 | 19 | 37 | 18 | 12 | 50 | - |
| K0153.412X60 | L | Stahl | M12 | 63 | 19 | 37 | 18 | 12 | 60 | - |
| K0153.505X10 | L | Edelstahl | M5 | 25 | 10 | 17 | 9 | 7 | 10 | - |
| K0153.505X15 | L | Edelstahl | M5 | 25 | 10 | 17 | 9 | 7 | 15 | - |
| K0153.505X20 | L | Edelstahl | M5 | 25 | 10 | 17 | 9 | 7 | 20 | - |
| K0153.506X10 | L | Edelstahl | M6 | 32 | 13,5 | 21 | 11 | 9,5 | 10 | - |
| K0153.506X15 | L | Edelstahl | M6 | 32 | 13,5 | 21 | 11 | 9,5 | 15 | - |
| K0153.506X20 | L | Edelstahl | M6 | 32 | 13,5 | 21 | 11 | 9,5 | 20 | - |
| K0153.506X25 | L | Edelstahl | M6 | 32 | 13,5 | 21 | 11 | 9,5 | 25 | - |
| K0153.506X30 | L | Edelstahl | M6 | 32 | 13,5 | 21 | 11 | 9,5 | 30 | - |
| K0153.508X15 | L | Edelstahl | M8 | 40 | 13,5 | 25 | 13 | 10 | 15 | - |
| K0153.508X20 | L | Edelstahl | M8 | 40 | 13,5 | 25 | 13 | 10 | 20 | - |
| K0153.508X25 | L | Edelstahl | M8 | 40 | 13,5 | 25 | 13 | 10 | 25 | - |
| K0153.508X30 | L | Edelstahl | M8 | 40 | 13,5 | 25 | 13 | 10 | 30 | - |
| K0153.508X40 | L | Edelstahl | M8 | 40 | 13,5 | 25 | 13 | 10 | 40 | - |
| K0153.508X50 | L | Edelstahl | M8 | 40 | 13,5 | 25 | 13 | 10 | 50 | - |
| K0153.510X20 | L | Edelstahl | M10 | 50 | 19 | 32 | 17 | 12 | 20 | - |

Sterngriffe mit vorstehender Stahlbuchse

Artikelübersicht

| Bestellnummer | Form | Material Komponente | D | D1 | D2 | H | H2 | H3 | L | T |
|---------------|------|------------------------|-----|----|----|----|----|----|----|---|
| K0153.510X25 | L | Edelstahl | M10 | 50 | 19 | 32 | 17 | 12 | 25 | - |
| K0153.510X30 | L | Edelstahl | M10 | 50 | 19 | 32 | 17 | 12 | 30 | - |
| K0153.510X40 | L | Edelstahl | M10 | 50 | 19 | 32 | 17 | 12 | 40 | - |
| K0153.510X50 | L | Edelstahl | M10 | 50 | 19 | 32 | 17 | 12 | 50 | - |
| K0153.510X60 | L | Edelstahl | M10 | 50 | 19 | 32 | 17 | 12 | 60 | - |
| K0153.512X20 | L | Edelstahl | M12 | 63 | 19 | 37 | 18 | 12 | 20 | - |
| K0153.512X25 | L | Edelstahl | M12 | 63 | 19 | 37 | 18 | 12 | 25 | - |
| K0153.512X30 | L | Edelstahl | M12 | 63 | 19 | 37 | 18 | 12 | 30 | - |
| K0153.512X40 | L | Edelstahl | M12 | 63 | 19 | 37 | 18 | 12 | 40 | - |
| K0153.512X50 | L | Edelstahl | M12 | 63 | 19 | 37 | 18 | 12 | 50 | - |
| K0153.512X60 | L | Edelstahl | M12 | 63 | 19 | 37 | 18 | 12 | 60 | - |