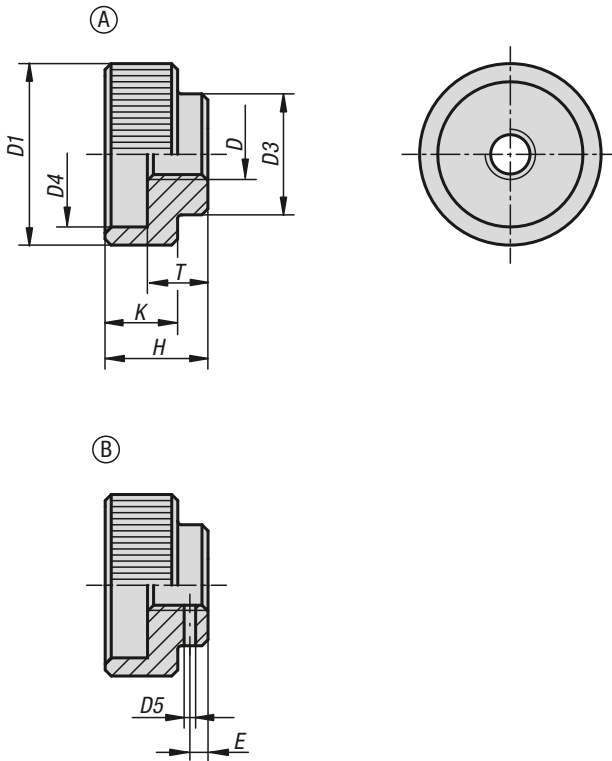


Grips, knobs



Knurled nuts

steel and stainless steel, DIN 6303



Material:
Steel 1.0718.
Stainless steel 1.4305.

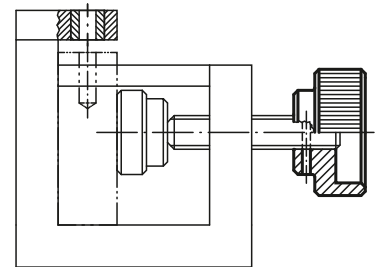
Version:
Steel, black oxidised.
Stainless steel, bright.

Sample order:
K0137.108

Note:
Due to the better haptics, a larger pitch was chosen contrary to DIN.

Drawing reference:
Form A: without pin hole
Form B: with pin hole

- Drill through and ream pin hole during assembly.



KIPP Knurled nuts, steel and stainless steel, DIN 6303

Order No.	Form	Main material	D	D1	D3	D4	D5 predrilled	E	H	K	T	suitable dowel pin ISO 2338
K0137.105	A	steel	M5	20	14	15	-	-	12	8	7	-
K0137.106	A	steel	M6	24	16	18	-	-	14	10	8	-
K0137.108	A	steel	M8	30	20	24	-	-	17	12	10	-
K0137.110	A	steel	M10	36	28	30	-	-	20	14	12	-
K0137.112	A	steel	M12	40	32	34	-	-	24	16	14	-
K0137.1052	A	stainless steel	M5	20	14	15	-	-	12	8	7	-
K0137.1062	A	stainless steel	M6	24	16	18	-	-	14	10	8	-
K0137.1082	A	stainless steel	M8	30	20	24	-	-	17	12	10	-
K0137.1102	A	stainless steel	M10	36	28	30	-	-	20	14	12	-
K0137.1122	A	stainless steel	M12	40	32	34	-	-	24	16	14	-
K0137.205	B	steel	M5	20	14	15	1,4	2,5	12	8	7	1,5
K0137.206	B	steel	M6	24	16	18	1,4	2,5	14	10	8	1,5
K0137.208	B	steel	M8	30	20	24	1,9	3	17	12	10	2
K0137.210	B	steel	M10	36	28	30	2,9	4	20	14	12	3
K0137.212	B	steel	M12	40	32	34	3,9	4	24	16	14	4

Knurled nuts

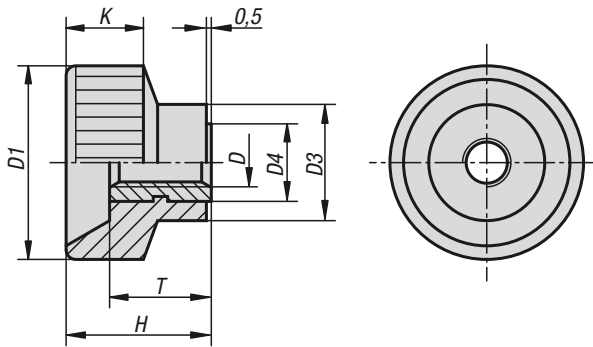
plastic



Material:
Black thermoset PF 31.
Tapped bush brass.

Version:
Tapped bush nickel-plated.

Sample order:
K0138.08



KIPP Knurled nuts plastic

Order No.	D	D1	D3	D4	H	K	T
K0138.04	M4	18	10	7	13	8	9
K0138.05	M5	20	12	8	14	8	10
K0138.06	M6	24	13	9	16	9	10
K0138.08	M8	30	15	11	18	11	11
K0138.10	M10	35	18	14	19	12	11

K1472

Knurled nuts

plastic

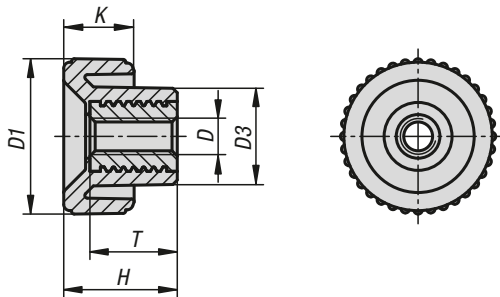


Material:
Body reinforced polyamide thermoplastic, black grey.
Tapped bush 5.8 steel or stainless steel 1.4305.

Version:
Tapped bush blue passivated steel or bright stainless steel.

Sample order:
K1472.1804

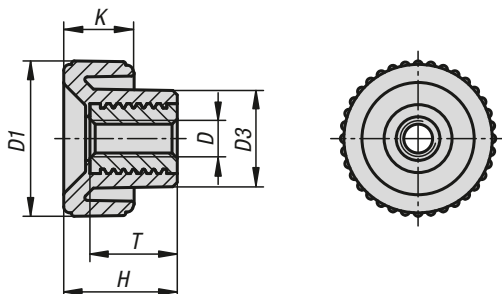
Advantages:
The knurled nuts can be tightened or loosened without tools.
Suitable for manual fixating and clamping.
Various thread sizes.



KIPP Knurled nuts plastic

Order No. steel	Order No. stainless steel	D	D1	D3	H	K	T
K1472.1804	K1472.18042	M4	18	11	13	8	10
K1472.2005	K1472.20052	M5	20	13,6	15	9	10
K1472.2006	K1472.20062	M6	20	13,6	15	9	10
K1472.2505	K1472.25052	M5	25	14	17	10	10
K1472.2506	K1472.25062	M6	25	14	17	10	10
K1472.3208	K1472.32082	M8	32	18	22	13	14
K1472.3210	K1472.32102	M10	32	18	22	13	14
K1472.4008	K1472.40082	M8	40	19	25	14	14
K1472.4010	K1472.40102	M10	40	19	25	14	14

Knurled nuts plastic, antistatic

**Material:**

Reinforced polyamide thermoplastic, graphite grey.
Screw steel 5.8.

Version:

Tapped bush trivalent blue passivated.

Sample order:

K1472.11180424

Application:

Sensitive electrical or electronic equipment, components and devices (ESD sensitive elements) may be damaged or destroyed by electrostatic discharges (ESD) in the immediate vicinity. Electrostatic discharges can come from people or through handling ESD sensitive components (e.g. during production, assembly, transport, storage etc).

Electrically conductive products which conform to DIN EN 61340-5-1 are essential within electronic environments to prevent an electrostatic discharge.

These products can be used for ESD applications or in ESD protection areas (EPA) in accordance with DIN EN 61340-5-1.

Advantages:

To protect sensitive electrical or electronic parts, components and devices.

Areas of application: electrical assembly, equipment construction according to ATEX directives.

Made from a special electrically conductive plastic.

ESD operating parts have been specially designed for use in ESD protected areas.

The knurled nuts can be tightened or loosened without tools.

Safety:

These ESD products can also be used for devices, components and protection systems in areas with high risk of explosion.

Use of these ESD products prevents the occurrence of electrostatic spark discharges, eliminating the potential ignition of gases and dusts which could lead to explosions in enclosed spaces.

Manufacturers and operators must use and conform to ATEX directives for the protection of persons working in areas with high risk of explosion.

These ESD products are certified by TÜV-Süd in relation to their electrical discharge capability.

Target groups:

Device manufacturers required to conform to ATEX product directive 2014/34/EU.

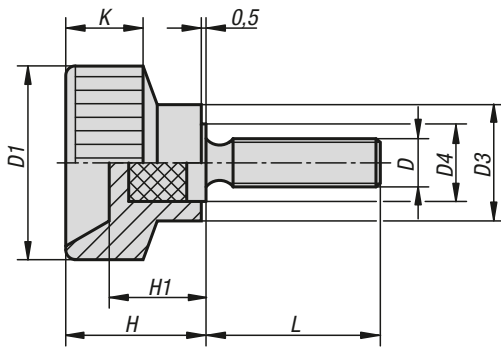
Operators required to conform to ATEX worker protection directive 1999/92/EC.

KIPP Knurled nuts plastic, antistatic

Order No.	D	D1	D3	H	K	T
K1472.11180424	M4	18	11	13	8	10
K1472.11200524	M5	20	13,6	15	9	10
K1472.11250624	M6	25	14	17	10	10
K1472.11320824	M8	32	18	22	13	14
K1472.11401024	M10	40	19	25	14	14

Knurled screws

plastic



Material:
Black thermoset PF 31.
Screw steel.

Version:
Screw electro zinc-plated.

Sample order:
K0141.05X25 (include length L)

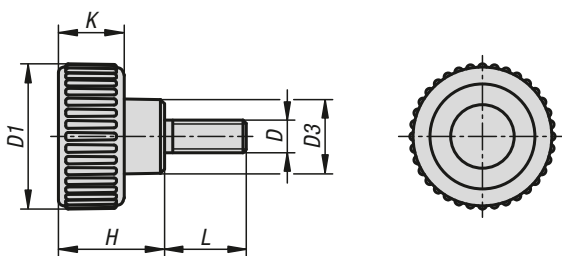
KIPP Knurled screws, plastic

Order No.	D	D1	D3	D4	H	H1	K	L
K0141.04X	M4	18	10	7	13,5	9	8	15/20
K0141.05X	M5	20	12	8	14,5	10	8	10/18/25
K0141.06X	M6	24	13	10	15	9,5	9	20/28
K0141.08X	M8	30	15	12	18	11	11	25/32
K0141.10X	M10	35	18	14	18,5	11	12	30

K1473

Knurled screws

plastic



Material:
Reinforced polyamide thermoplastic, black grey.
Threaded pin 5.8 steel or stainless steel 1.4305.

Version:
Threaded pin trivalent blue passivated steel, bright stainless steel.

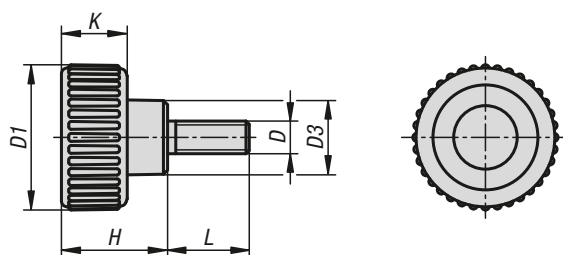
Sample order:
K1473.2005X20 (include length L)

KIPP Knurled screws plastic

Order No. steel	Order No. stainless steel	D	D1	D3	H	K	L
K1473.1804X	K1473.18042X	M4	18	9	13	8	10/15
K1473.2005X	K1473.20052X	M5	20	10,6	15	9	10/15/20
K1473.2506X	K1473.25062X	M6	25	12	17	10	10/15/20/30/40
K1473.3208X	K1473.32082X	M8	32	14	22	13	15/20/30/40
K1473.4010X	K1473.40102X	M10	40	18	25	14	20/30/40

Advantages:
The knurled screws can be tightened or loosened without tools.
Suitable for manual fixing and clamping.
Various thread sizes and lengths.

Knurled screws plastic, antistatic

**Material:**

Reinforced polyamide thermoplastic, graphite grey.
Screw steel 5.8.

Version:

Screw blue passivated.

Sample order:

K1473.11200524X20 (include length L)

Application:

Sensitive electrical or electronic equipment, components and devices (ESD sensitive elements) may be damaged or destroyed by electrostatic discharges (ESD) in the immediate vicinity. Electrostatic discharges can come from people or through handling ESD sensitive components (e.g. during production, assembly, transport, storage etc).

Electrically conductive products which conform to DIN EN 61340-5-1 are essential within electronic environments to prevent an electrostatic discharge.

These products can be used for ESD applications or in ESD protection areas (EPA) in accordance with DIN EN 61340-5-1.

Advantages:

To protect sensitive electrical or electronic parts, components and devices.

Areas of application: electrical assembly, equipment construction according to ATEX directives.

Made from a special electrically conductive plastic.

ESD operating parts have been specially designed for use in ESD protected areas.

The knurled screws can be tightened or loosened without tools.

Safety:

These ESD products can also be used for devices, components and protection systems in areas with high risk of explosion.

Use of these ESD products prevents the occurrence of electrostatic spark discharges, eliminating the potential ignition of gases and dusts which could lead to explosions in enclosed spaces.

Manufacturers and operators must use and conform to ATEX directives for the protection of persons working in areas with high risk of explosion.

These ESD products are certified by TÜV-Süd in relation to their electrical discharge capability.

Target groups:

Device manufacturers required to conform to ATEX product directive 2014/34/EU.

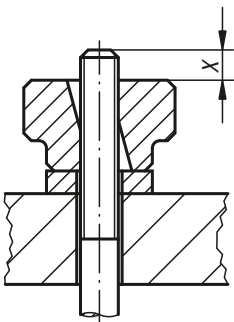
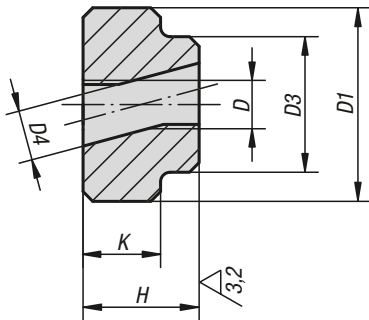
Operators required to conform to ATEX worker protection directive 1999/92/EC.

KIPP Knurled screws plastic, antistatic

Order No.	D	D1	D3	H	K	L
K1473.11180424X	M4	18	9	13	8	10/15
K1473.11200524X	M5	20	10,6	15	9	10/15/20
K1473.11250624X	M6	25	12	17	10	10/15/20
K1473.11320824X	M8	32	14	22	13	15/20/30
K1473.11401024X	M10	40	18	25	14	20/30

Knurled nuts quick-acting

steel or stainless steel



Quick-acting knurled nuts are mainly used in applications where no high clamping pressures are required.

Tilt the nut to slide on, then straighten it to engage the threads.

Material:

High carbon steel or stainless steel 1.4404.

Version:

Steel tempered and black oxidised.

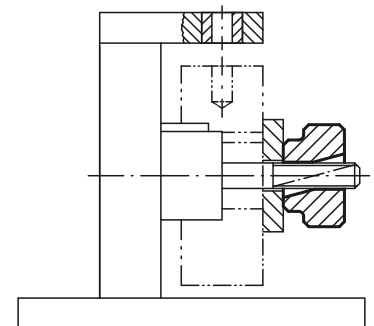
Stainless steel bright.

Sample order:

K0139.08

Drawing reference:

X: The stud should be several mm longer than height "H"

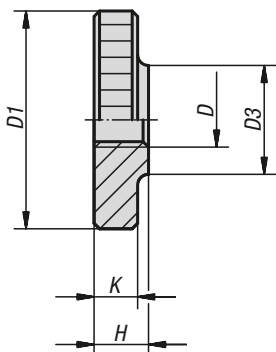


KIPP Knurled nuts quick-acting steel or stainless steel

Order No. high carbon steel	Order No. stainless steel	D	D1	D3	D4	H	K
K0139.04	K0139.104	M4	16	14	4,2	12	8
K0139.05	K0139.105	M5	20	14	5,2	12	8
K0139.06	K0139.106	M6	24	16	6,2	14	10
K0139.08	K0139.108	M8	30	20	8,2	17	12
K0139.10	K0139.110	M10	36	28	10,3	20	14
K0139.12	K0139.112	M12	40	32	12,3	24	16

Knurled nuts flat

steel and stainless steel, DIN 467



Material:
Steel.
Stainless steel 1.4305.

Version:
Steel black oxidised.
Stainless steel bright.

Sample order:
K0144.042

Note:
M12 flat knurled nuts are not included in the official standards sheet.

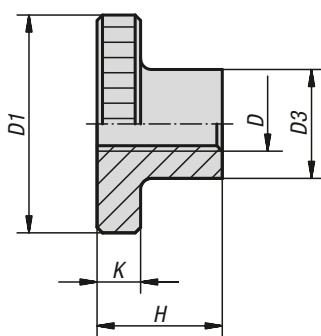
KIPP Knurled nuts flat, steel and stainless steel, DIN 467

Order No. stainless steel	Order No. steel	D	D1	D3	H	K
K0144.042	K0144.04	M4	16	8	4	3,5
K0144.052	K0144.05	M5	20	10	5	4
K0144.062	K0144.06	M6	24	12	6	5
K0144.082	K0144.08	M8	30	16	8	6
K0144.122	K0144.12	M12	36	20	10	8
K0144.102	K0144.10	M10	36	20	10	8

K0143

Knurled nuts high form

steel and stainless steel, DIN 466



Material:
Steel.
Stainless steel 1.4305.

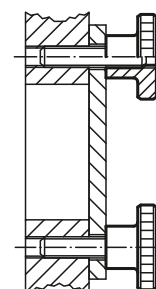
Version:
Steel black oxidised.
Stainless steel bright.

Sample order:
K0143.04

Note:
M12 high knurled nuts are not included in the official standards sheet.

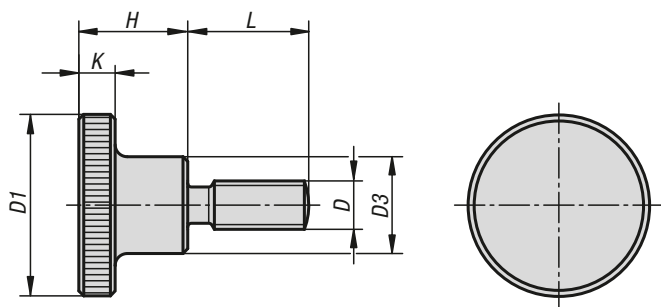
KIPP Knurled nuts high form steel and stainless steel, DIN 466

Order No. stainless steel	Order No. steel	D	D1	D3	H	K
K0143.042	K0143.04	M4	16	8	9,5	3,5
K0143.052	K0143.05	M5	20	10	11,5	4
K0143.062	K0143.06	M6	24	12	15	5
K0143.082	K0143.08	M8	30	16	18	6
K0143.122	K0143.12	M12	36	20	23	8
K0143.102	K0143.10	M10	36	20	23	8



Knurled screws high form

steel and stainless steel, DIN 464



Material:

Steel.
Stainless steel 1.4305.

Version:

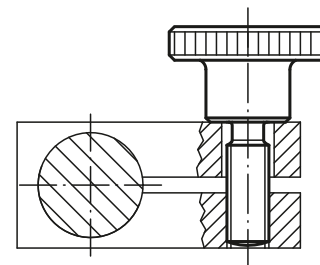
Steel, black oxidised.
Stainless steel, bright.

Sample order:

K0140.06X20 (include length L)

Note:

* Threads with these lengths have no undercut at the shoulder.

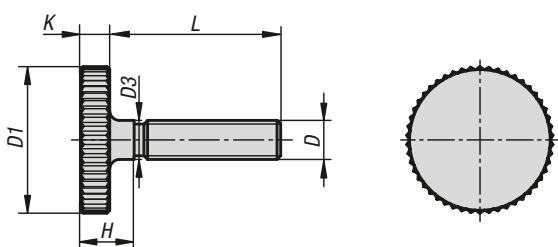


KIPP Knurled screws high, steel and stainless steel, DIN 464

Order No. stainless steel	Order No. steel	D	D1	D3	H	K	L
K0140.042X	K0140.04X	M4	16	8	9,5	3,5	10/16/20*
K0140.052X	K0140.05X	M5	20	10	11,5	4	10/16/20*
K0140.062X	K0140.06X	M6	24	12	15	5	10/16/20/25*
K0140.082X	K0140.08X	M8	30	16	18	6	16/20/25/30*
K0140.102X	K0140.10X	M10	36	20	23	8	20/25/30/40*

Knurled screws low head

steel and stainless steel, DIN 653



KIPP Knurled screws low head, steel and stainless steel, DIN 653

Order No.	Main material	D	D1	D3	H	K	L
K1163.03X	steel	M3	12	3	4,5	2,5	10/12/16
K1163.04X	steel	M4	16	4	6,5	3,5	8/10/12/16/20
K1163.05X	steel	M5	20	5	7	4	10/12/16/20/25/30
K1163.06X	steel	M6	24	6	9	5	12/16/20/25/30/35/40
K1163.08X	steel	M8	30	8	11	6	16/20/25/30/35/40
K1163.10X	steel	M10	36	10	14	8	20/25/30/35/40
K1163.032X	stainless steel	M3	12	3	4,5	2,5	10/12/16
K1163.042X	stainless steel	M4	16	4	6,5	3,5	8/10/12/16/20
K1163.052X	stainless steel	M5	20	5	7	4	10/12/16/20/25/30
K1163.062X	stainless steel	M6	24	6	9	5	12/16/20/25/30/35/40
K1163.082X	stainless steel	M8	30	8	11	6	16/20/25/30
K1163.102X	stainless steel	M10	36	10	14	8	20/25/30/40

Material:

Steel or stainless steel (A 1).

Version:

Steel grade 5.8, bright;
Stainless steel, bright.

Sample order:

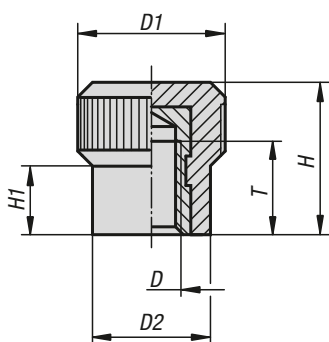
K1163.062X20 (include length L)

Note:

Delivery is according to DIN 653 or DIN 653-A.

K0142

Knurled knobs



Material:

Thermoset PF 31, black.
Bush brass.

Version:

Tapped bush, bright

Sample order:

K0142.11203

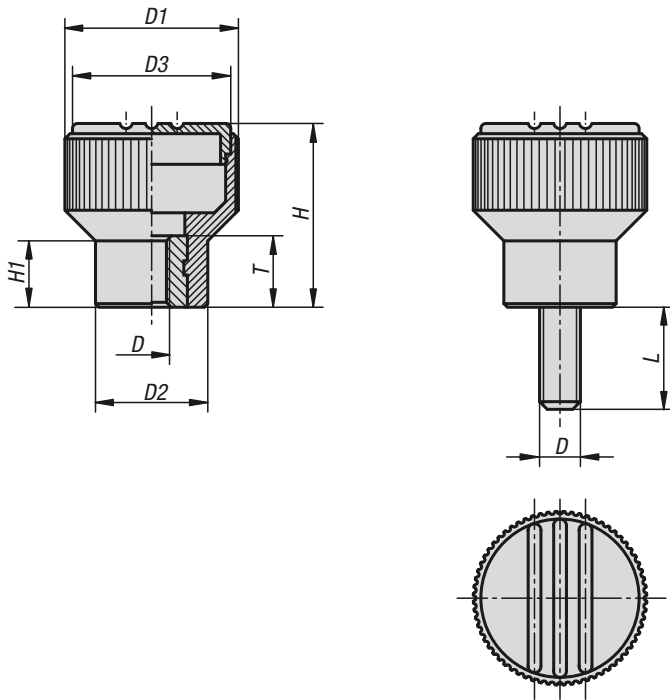
On request:

Other colours.

KIPP Knurled knobs

Order No.	D	D1	D2	H	H1	T
K0142.11203	M3	13	10	13,5	6	6,5
K0142.11204	M4	13	10	13,5	6	10
K0142.11504	M4	15	12	15,5	7	10
K0142.11505	M5	15	12	15,5	7	10
K0142.11506	M6	15	12	15,5	7	9

Knurled knobs



Material:

Black thermoplastic.

Bush and screw 5.8 steel or 1.4305 stainless steel.

Version:

Steel trivalent blue passivated, stainless steel bright.

Sample order:

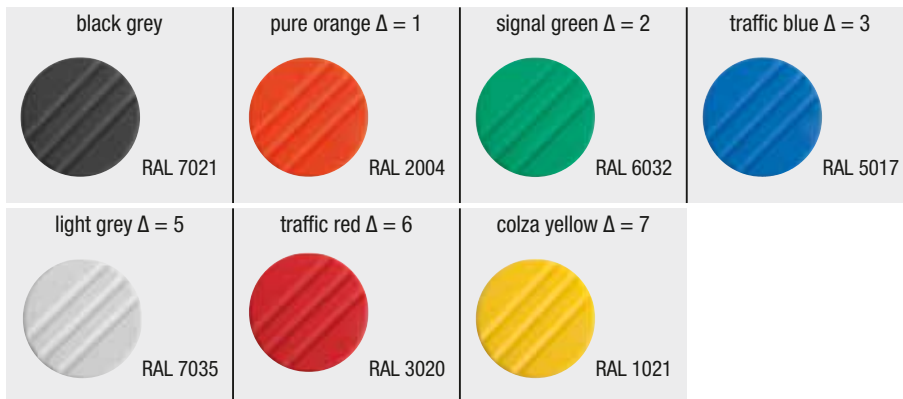
K0247.01056X20

(Cap colour traffic red. Include length L)

Note:

Δ Add the desired cap colour here.

No colour code is required for black grey caps.



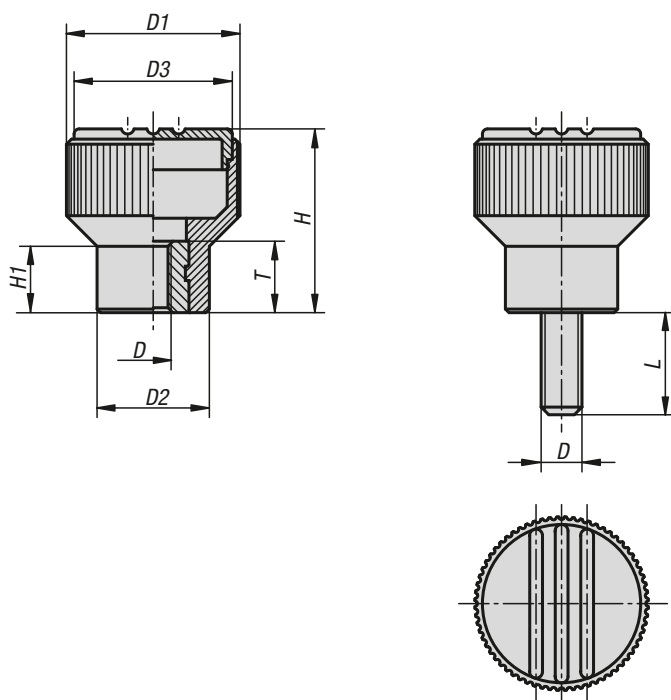
KIPP Knurled knobs with internal thread

Order No. stainless steel	Order No. steel	D	D1	D2	D3	H	H1	T
K0247.0104Δ	K0247.104Δ	M4	21	14	19	22	8	10
K0247.0105Δ	K0247.105Δ	M5	21	14	19	22	8	10
K0247.0106Δ	K0247.106Δ	M6	21	14	19	22	8	10
K0247.0208Δ	K0247.208Δ	M8	26	18	23	26	9,5	14
K0247.0308Δ	K0247.308Δ	M8	34	22	31	36	13	14
K0247.0310Δ	K0247.310Δ	M10	34	22	31	36	13	14

KIPP Knurled knobs with external thread

Order No. steel	Order No. stainless steel	D	D1	D2	D3	H	H1	L
K0247.105ΔX	K0247.0105ΔX	M5	21	14	19	22	8	10/12/15/20/25
K0247.106ΔX	K0247.0106ΔX	M6	21	14	19	22	8	15/20/25/30
K0247.208ΔX	K0247.0208ΔX	M8	26	18	23	26	9,5	20/25/30/40
K0247.310ΔX	K0247.0310ΔX	M10	34	22	31	36	13	20/30/40

Knurled knobs biopolymer



Material:

Biopolymer, beech.
Bush or threaded pin steel 5.8

Version:

Steel blue passivated.
Natural beech with beech fibres or coloured black grey.

Sample order:

K0247.1010490

Advantages:

This biopolymer is manufactured entirely from renewable raw materials (oil free).
Conservation of finite fossil resources.
The wood fibres originate 100% from local, sustainably managed forests in Germany.

Features:

Excellent mechanical stability (certified with a minimum of 2x safety factor).
Biopolymer is suitable for recycling (comparable to thermoplastics).
Suitable for outdoor use (not biodegradable).
Excellent resistance to strong acids and lyes.
Short-term resistance to alcohol, fuel, mineral oil and grease.

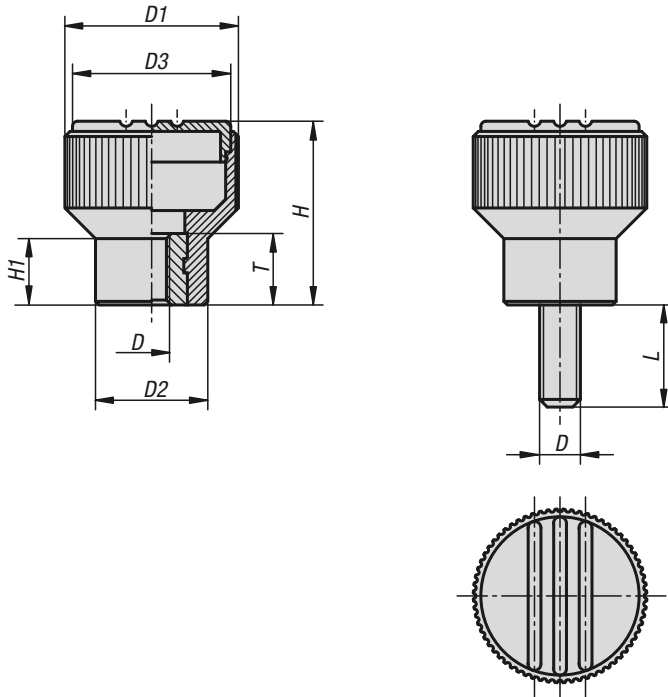
KIPP Knurled knobs biopolymer internal thread

Order No.	Main colour	D	D1	D2	D3	H	H1	T
K0247.10104143	natural beech	M4	21	14	19	22	8	10
K0247.10105143	natural beech	M5	21	14	19	22	8	10
K0247.10106143	natural beech	M6	21	14	19	22	8	10
K0247.1010490	black grey RAL 7021	M4	21	14	19	22	8	10
K0247.1010590	black grey RAL 7021	M5	21	14	19	22	8	10
K0247.1010690	black grey RAL 7021	M6	21	14	19	22	8	10

KIPP Knurled knobs biopolymer external thread

Order No.	Main colour	D	D1	D2	D3	H	H1	L
K0247.10105143X10	natural beech	M5	21	14	19	22	8	10
K0247.10106143X15	natural beech	M6	21	14	19	22	8	15
K0247.1010590X10	black grey RAL 7021	M5	21	14	19	22	8	10
K0247.1010690X15	black grey RAL 7021	M6	21	14	19	22	8	15

Knurled knobs antistatic



Material:

Thermoplastic, graphite black.
Bush or screw steel 5.8.

Version:

Screw blue passivated.

Sample order:

K0247.1110624

Application:

Sensitive electrical or electronic equipment, components and devices (ESD sensitive elements) may be damaged or destroyed by electrostatic discharges (ESD) in the immediate vicinity. Electrostatic discharges can come from people or through handling ESD sensitive components (e.g. during production, assembly, transport, storage etc). Electrically conductive products which conform to DIN EN 61340-5-1 are essential within electronic environments to prevent an electrostatic discharge. These products can be used for ESD applications or in ESD protection areas (EPA) in accordance with DIN EN 61340-5-1.

Safety:

These ESD products can also be used for devices, components and protection systems in areas with high risk of explosion. Use of these ESD products prevents the occurrence of electrostatic spark discharges, eliminating the potential ignition of gases and dusts which could lead to explosions in enclosed spaces. Manufacturers and operators must use and conform to ATEX directives for the protection of persons working in areas with high risk of explosion. These ESD products are certified by TÜV-Süd in relation to their electrical discharge capability.

Target groups:

Device manufacturers required to conform to ATEX product directive 2014/34/EU.
Operators required to conform to ATEX worker protection directive 1999/92/EC.

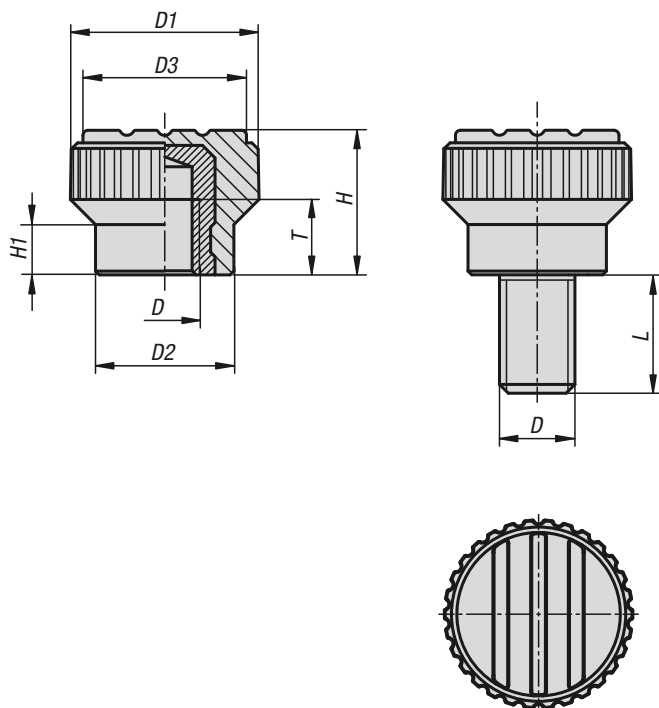
KIPP Knurled knobs antistatic with internal thread

Order No.	D	D1	D2	D3	H	H1	T
K0247.1110624	M6	21	14	19	22	8	10

KIPP Knurled knobs antistatic with external thread

Order No.	D	D1	D2	D3	H	H1	L
K0247.1110624X15	M6	21	14	19	22	8	15

Knurled knobs



Material:

Grip black grey thermoplastic.
 Bush brass or stainless steel 1.4305.
 Screw steel 5.8 or stainless steel 1.4305.

Version:

Steel trivalent blue passivated.
 Stainless steel, bright.

Sample order:

K0110.005X12 (include length L)

On request:

Other colours.

KIPP Knurled knobs with internal thread

Order No.	Component material	D	D1	D2	D3	H	H1	T
K0110.003	brass	M3	15	11	13	11,5	4,3	4,5
K0110.004	brass	M4	15	11	13	11,5	4,3	6
K0110.005	brass	M5	15	11	13	11,5	4,3	6
K0110.0003	stainless steel	M3	15	11	13	11,5	4,3	4,5
K0110.0004	stainless steel	M4	15	11	13	11,5	4,3	6
K0110.0005	stainless steel	M5	15	11	13	11,5	4,3	6

KIPP Knurled knobs with external thread

Order No.	Component material	D	D1	D2	D3	H	H1	L
K0110.003X	steel	M3	15	11	13	11,5	4,3	8/10/12/15
K0110.004X	steel	M4	15	11	13	11,5	4,3	8/10/12/15
K0110.005X	steel	M5	15	11	13	11,5	4,3	10/12/15/20
K0110.006X	steel	M6	15	11	13	11,5	4,3	10/15/20/25
K0110.0003X	stainless steel	M3	15	11	13	11,5	4,3	8/10/12/15
K0110.0004X	stainless steel	M4	15	11	13	11,5	4,3	8/10/12/15
K0110.0005X	stainless steel	M5	15	11	13	11,5	4,3	10/12/15/20
K0110.0006X	stainless steel	M6	15	11	13	11,5	4,3	10/15/20/25

Knurled knobs

aluminium



Material:

Body aluminium.
Cap thermoplastic PA6.
Grub screw stainless steel.

Version:

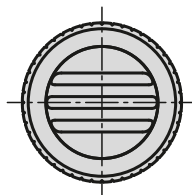
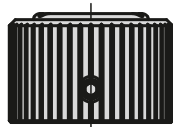
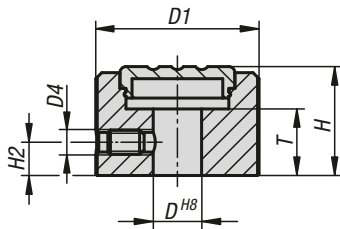
Body black anodised.
Cap light grey RAL 7035.
Grub screw bright.

Sample order:

K1099.27085

On request:

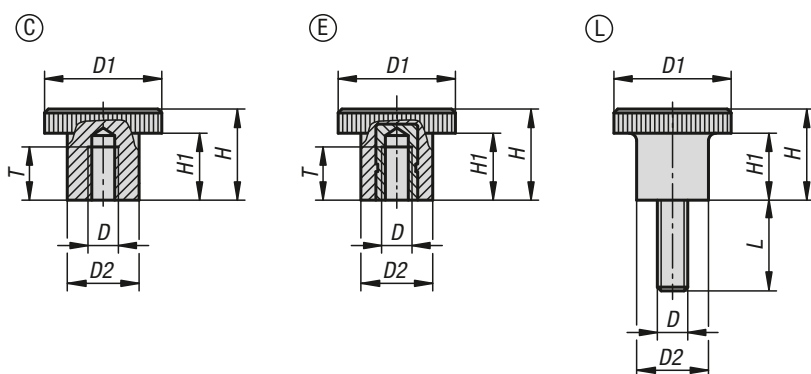
Other female threads, colours and special versions.



KIPP Knurled knobs aluminium

Order No.	D	D1	D4	H	H2	T
K1099.27085	8	27	M4	18	5,5	11
K1099.27105	10	27	M4	18	5,5	11
K1099.34105	10	34	M5	21	7	14
K1099.34125	12	34	M5	21	7	14
K1099.42125	12	42	M5	24,5	8,5	15
K1099.42145	14	42	M5	24,5	8,5	15

Knurled knobs



Material:

Thermoset PF 31, black.

Screw, steel.

Tapped bush, steel or brass.

Version:

Screw, electro zinc-plated.

Tapped bush, electro zinc-plated or bright brass.

Sample order:

K1223.302205X10

Drawing reference:

Form C: tapped blind hole

Form E: tapped bush

Form L: external thread

KIPP Knurled knobs with internal thread

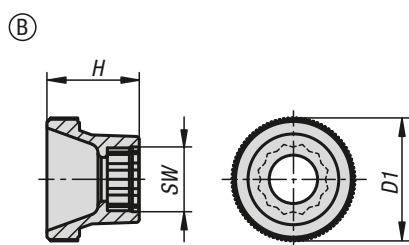
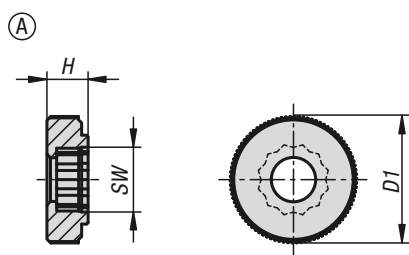
Order No.	Form	Component material	D	D1	D2	H	H1	T
K1223.102206	C	plastic	M6	22	12	13	6	7,5
K1223.102606	C	plastic	M6	26	17	20	14	9
K1223.212205	E	brass	M5	22	12	13	6	6
K1223.202606	E	steel	M6	26	17	20	14	10
K1223.202608	E	steel	M8	26	17	20	14	12

KIPP Knurled knobs with external thread

Order No.	Form	Component material	D	D1	D2	H	H1	L
K1223.302205X	L	steel	M5	22	12	13	6	10/15/20
K1223.302206X	L	steel	M6	22	12	13	6	10/15/20/30
K1223.302606X	L	steel	M6	26	15	13	6	10/15/20/30
K1223.302608X	L	steel	M8	26	15	13	6	15/20/30

Knurled knobs

for hex head screws



Material:
Thermoplastic.

Version:
Black or orange.

Sample order:
K1138.00040 (knurled knob colour black)
Colour code:
0=black
1=orange

Note:
Suitable screws ISO 4014.

Δ add the desired colour code here

KIPP Knurled knobs for screws with external hex

Order No.	Form	for screws	D1	H	SW
K1138.0Δ040	A	M4	17	5,5	7
K1138.0Δ050	A	M5	20	6,5	8
K1138.0Δ060	A	M6	25	8	10
K1138.0Δ080	A	M8	36	10	13
K1138.0Δ100	A	M10	36	10	17
K1138.1Δ040	B	M4	17	11,5	7
K1138.1Δ050	B	M5	20	15	8
K1138.1Δ060	B	M6	25	18	10
K1138.1Δ080	B	M8	36	23	13
K1138.1Δ100	B	M10	36	23	17

Knurled heads

for hexagon socket screws



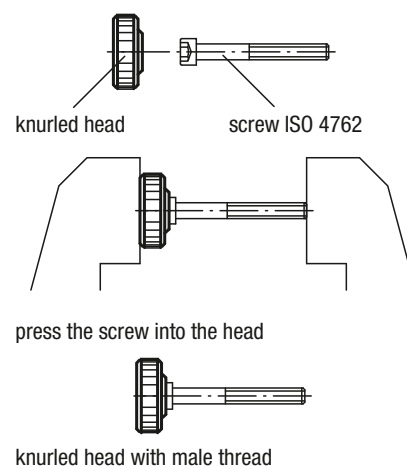
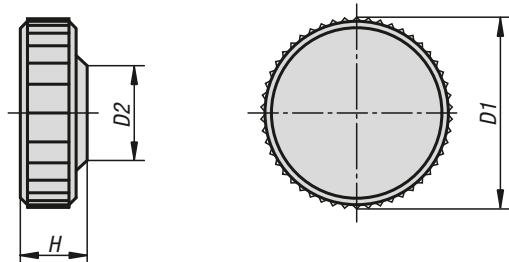
Material:
Thermoplastic.

Version:
Black, grey or red.

Sample order:
K0680.0506 (knurled head colour red)
Colour code:
5 = grey
6 = red

Note:
Suitable screws ISO 4762.

Δ Add the desired colour code here.
No colour code is required for black.

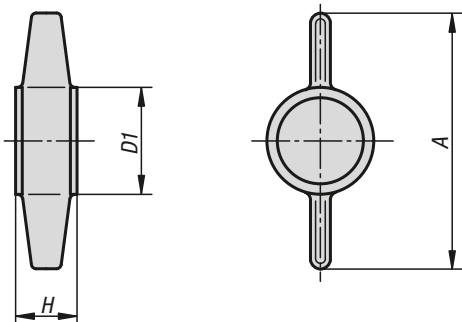


KIPP Knurled heads for hexagon socket screws

Order No.	D1	D2	H	for cap screws
K0680.030Δ	9,5	8,3	4,5	M3
K0680.040Δ	13	9,6	5	M4
K0680.050Δ	16	11,5	6,5	M5
K0680.060Δ	19	14	7,5	M6
K0680.061Δ	26	13	8	M6
K0680.080Δ	26	16	10	M8

Wing grips

for hexagon socket screws



Material:

Thermoplastic.

Version:

Black, grey or red.

Sample order:

K0681.0506 (wing grip colour red)

Colour code:

5 = grey

6 = red

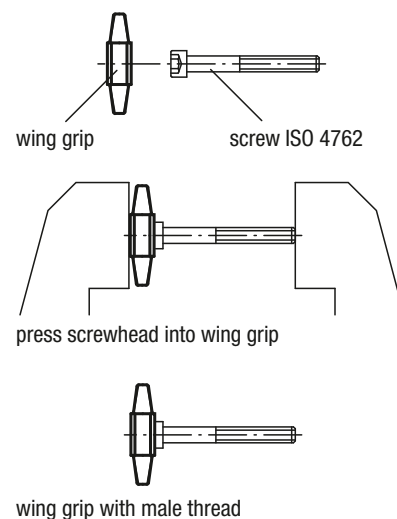
Δ Add the desired colour code here.

No colour code is required for black grips.

Note:

Suitable screws ISO 4762.

Δ Add the desired grip colour here. No colour code is required for black grips.



KIPP Wing grips for hexagon socket screws

Order No.	A	D1	H	for cap screws
K0681.050Δ	26	12	7	M5
K0681.060Δ	30	13,5	8	M6
K0681.080Δ	38	17	10	M8
K0681.100Δ	45	20	12,5	M10

Palm grips

aluminium, similar to DIN 6335



Material:

Aluminium.
Grub screw stainless steel 1.4305.
Pin stainless steel 1.4310.

Version:

Vibratory ground or ground and polished.
Grub screw and pin bright.

Sample order:

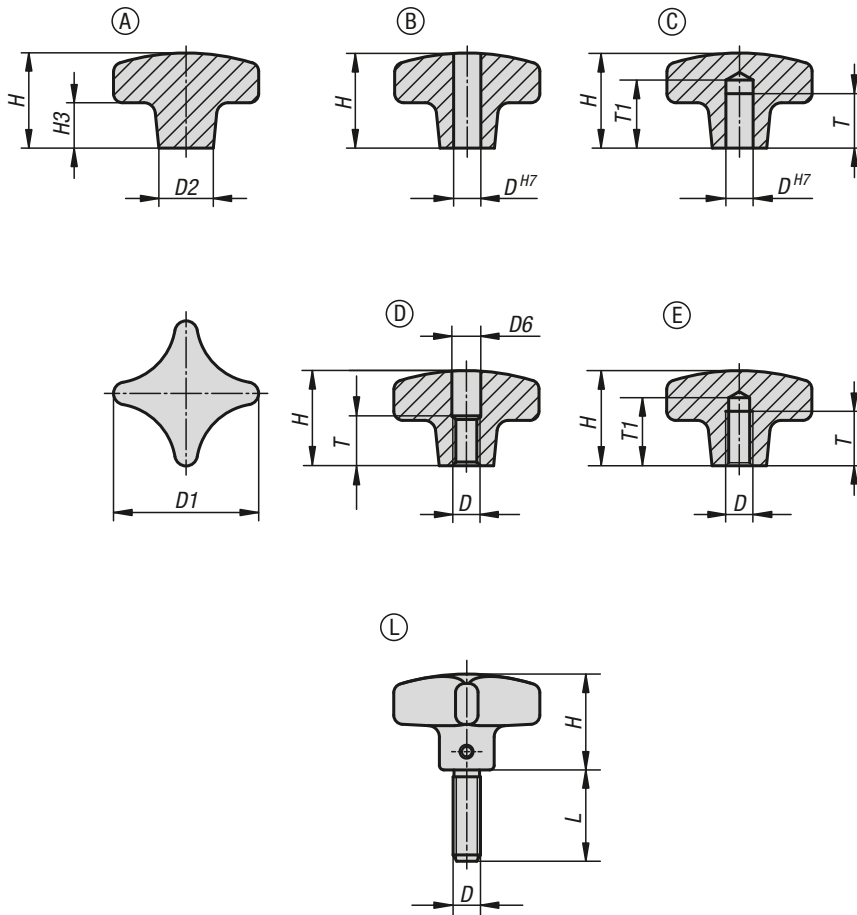
K0145.604008X20 (include length L.)

On request:

Blank palm grips (not tumbled).

Drawing reference:

- Form A: blank
- Form B: drilled through
- Form C: blind hole
- Form D: tapped and counterbored
- Form E: tapped blind hole
- Form L: external thread



KIPP Palm grips aluminium, similar to DIN 6335

Order No.	Form	Surface finish body	D1	D2	H	H3
K0145.104008	A	tumbled	40	14	26	14
K0145.105010	A	tumbled	50	18	34	20
K0145.106312	A	tumbled	63	25	42	25
K0145.108016	A	tumbled	80	25	52	30

Palm grips

aluminium, similar to DIN 6335



KIPP Palm grips similar to DIN 6335, aluminium

Order No. tumbled	Order No. polished	Form	D	D1	D2	H
K0145.204008	K0145.2040082	B	8	40	14	25
K0145.205010	K0145.2050102	B	10	50	18	32
K0145.206312	K0145.2063122	B	12	63	25	40
K0145.208016	K0145.2080162	B	16	80	25	50

Order No. tumbled	Order No. polished	Form	D	D1	D2	H	T	T1
K0145.304008	K0145.3040082	C	8	40	14	25	15	18
K0145.305010	K0145.3050102	C	10	50	18	32	18	21
K0145.306312	K0145.3063122	C	12	63	25	40	22	25
K0145.308016	K0145.3080162	C	16	80	25	50	28	32

Order No. tumbled	Order No. polished	Form	D	D1	D2	D6	H	T
K0145.404008	K0145.4040082	D	M8	40	14	8,4	25	15
K0145.405010	K0145.4050102	D	M10	50	18	10,5	32	18
K0145.406312	K0145.4063122	D	M12	63	25	13	40	22
K0145.408016	K0145.4080162	D	M16	80	25	17	50	28

Order No. tumbled	Order No. polished	Form	D	D1	D2	H	T	T1
K0145.504008	K0145.5040082	E	M8	40	14	25	15	18
K0145.505010	K0145.5050102	E	M10	50	18	32	18	21
K0145.506312	K0145.5063122	E	M12	63	25	40	22	25
K0145.508016	K0145.5080162	E	M16	80	25	50	28	32

Order No.	Form	Surface finish body	D	D1	D2	H	L
K0145.604008X	L	tumbled	M8	40	14	25	20/25/30/40/50
K0145.605010X	L	tumbled	M10	50	18	32	20/25/30/40/50
K0145.606312X	L	tumbled	M12	63	25	40	20/30/40/50

Palm grips

stainless steel, similar to DIN 6335



Material:

Stainless steel 1.4308.
 Grub screw stainless steel 1.4305.
 Pin stainless steel 1.4310.

Version:

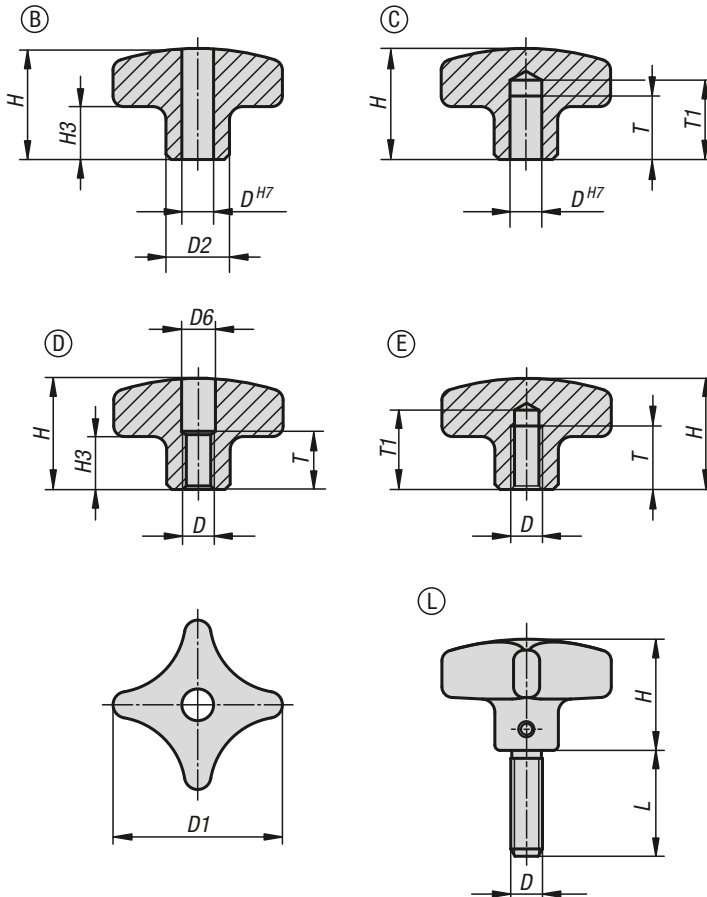
Ground and polished or blasted.
 Grub screw and pin bright.

Sample order:

K0146.6032063X20 (include length L.)

Drawing reference:

Form B: drilled through
 Form C: blind hole
 Form D: tapped and counterbored
 Form E: tapped blind hole
 Form L: external thread



Palm grips

stainless steel, similar to DIN 6335



KIPP Palm grips stainless steel, similar to DIN 6335

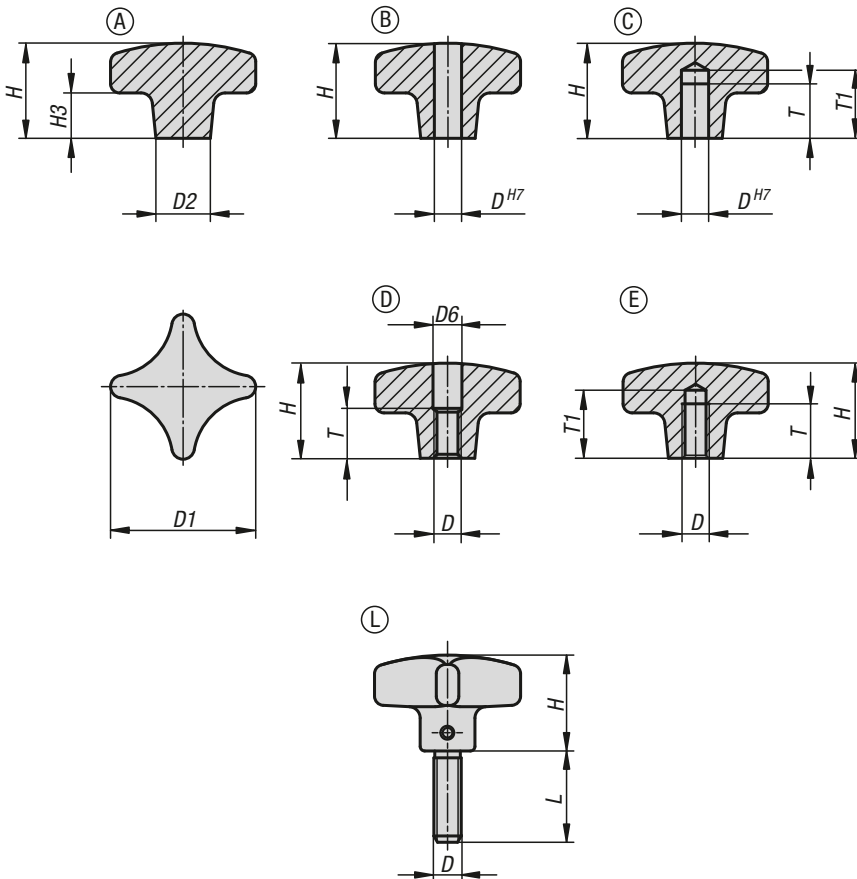
Order No. Form B	Order No. Form C	Surface finish body	D	D1	D2	H	H3	T	T1
K0146.2032062	K0146.3032062	polished	6	32	12	21	10	-/12	-/15
K0146.2040082	K0146.3040082	polished	8	40	14	26	14	-/15	-/18
K0146.2050102	K0146.3050102	polished	10	50	18	34	20	-/18	-/21
K0146.2063122	K0146.3063122	polished	12	63	20	42	25	-/22	-/25
K0146.2032063	K0146.3032063	blasted	6	32	12	21	10	-/12	-/15
K0146.2040083	K0146.3040083	blasted	8	40	14	26	14	-/15	-/18
K0146.2050103	K0146.3050103	blasted	10	50	18	34	20	-/18	-/21
K0146.2063123	K0146.3063123	blasted	12	63	20	42	25	-/22	-/25

Order No. Form D	Order No. Form E	Surface finish body	D	D1	D2	D6	H	H3	T	T1
K0146.4032062	K0146.5032062	polished	M6	32	12	6,4/-	21	10	11/12	-/15
K0146.4040082	K0146.5040082	polished	M8	40	14	8,4/-	26	14	14/15	-/18
K0146.4050102	K0146.5050102	polished	M10	50	18	10,5/-	34	20	18	-/21
K0146.4063122	K0146.5063122	polished	M12	63	20	13/-	42	25	22	-/25
K0146.4032063	K0146.5032063	blasted	M6	32	12	6,4/-	21	10	11/12	-/15
K0146.4040083	K0146.5040083	blasted	M8	40	14	8,4/-	26	14	14/15	-/18
K0146.4050103	K0146.5050103	blasted	M10	50	18	10,5/-	34	20	18	-/21
K0146.4063123	K0146.5063123	blasted	M12	63	20	13/-	42	25	22	-/25

Order No.	Form	Surface finish body	D	D1	D2	H	H3	L
K0146.6032063X	L	blasted	M6	32	12	21	10	15
K0146.6032063X	L	blasted	M6	32	12	21	10	20
K0146.6032063X	L	blasted	M6	32	12	21	10	25
K0146.6032063X	L	blasted	M6	32	12	21	10	30
K0146.6032063X	L	blasted	M6	32	12	21	10	40
K0146.6032063X	L	blasted	M6	32	12	21	10	50
K0146.6040083X	L	blasted	M8	40	14	26	14	20
K0146.6040083X	L	blasted	M8	40	14	26	14	25
K0146.6040083X	L	blasted	M8	40	14	26	14	30
K0146.6040083X	L	blasted	M8	40	14	26	14	40
K0146.6040083X	L	blasted	M8	40	14	26	14	50
K0146.6050103X	L	blasted	M10	50	18	34	20	20
K0146.6050103X	L	blasted	M10	50	18	34	20	25
K0146.6050103X	L	blasted	M10	50	18	34	20	30
K0146.6050103X	L	blasted	M10	50	18	34	20	40
K0146.6050103X	L	blasted	M10	50	18	34	20	50
K0146.6063123X	L	blasted	M12	63	20	42	25	20
K0146.6063123X	L	blasted	M12	63	20	42	25	30
K0146.6063123X	L	blasted	M12	63	20	42	25	40
K0146.6063123X	L	blasted	M12	63	20	42	25	50

Palm grips

grey cast iron, DIN 6335



Material:

Grey cast iron GJL 200.
Grub screw stainless steel 1.4305.
Pin stainless steel 1.4310.

Version:

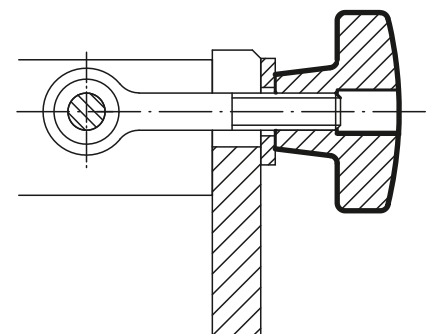
Vibratory ground, bright.
Grub screw and pin bright.

Sample order:

K0147.606X20 (include length L.)

Drawing reference:

Form A: blank
Form B: drilled through
Form C: blind hole
Form D: tapped and counterbored
Form E: tapped blind hole
Form L: external thread



Palm grips

grey cast iron, DIN 6335



KIPP Palm grips grey cast iron DIN 6335

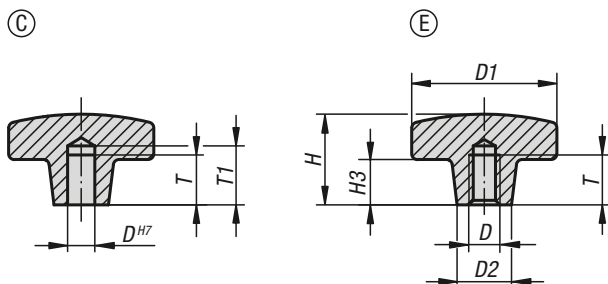
Order No. Form A	Order No. Form B	Surface finish body	D	D1	D2	H	H3
K0147.106	K0147.206	tumbled	-/6	32	12	21/20	10
K0147.108	K0147.208	tumbled	-/8	40	14	26/25	14
K0147.110	K0147.210	tumbled	-/10	50	18	34/32	20
K0147.112	K0147.212	tumbled	-/12	63	20	42/40	25
K0147.116	K0147.216	tumbled	-/16	80	25	52/50	30
K0147.120	K0147.220	tumbled	-/20	100	32	65/63	38

Order No. Form C	Order No. Form D	Order No. Form E	Surface finish body	D	D1	D2	H	H3	T	T1
K0147.306	K0147.406	K0147.506	tumbled	6 / M6 / M6	32	12	20	10	12/10/12	15/-/15
K0147.308	K0147.408	K0147.508	tumbled	8 / M8 / M8	40	14	25	14	15/13/15	18/-/18
K0147.310	K0147.410	K0147.510	tumbled	10 / M10 / M10	50	18	32	20	18/16/18	21/-/21
K0147.312	K0147.412	K0147.512	tumbled	12 / M12 / M12	63	20	40	25	22/20/22	25/-/25
K0147.316	K0147.416	K0147.516	tumbled	16 / M16 / M16	80	25	50	30	28/20/28	32/-/32
K0147.320	K0147.420	K0147.520	tumbled	20 / M20 / M20	100	32	63	38	36/25/36	40/-/40

Order No.	Form	Surface finish body	D	D1	H	L
K0147.606X	L	tumbled	M6	32	20	15/20/25/30/40/50
K0147.608X	L	tumbled	M8	40	25	20/25/30/40/50
K0147.610X	L	tumbled	M10	50	32	20/25/30/40/50
K0147.612X	L	tumbled	M12	63	40	20/30/40/50

Palm grips

plastic coated grey cast iron, DIN 6335



Material:

Grey cast iron GJL 200.

Version:

Plastic coated.

Sample order:

K0682.212

Note:

Available colours:
Pure orange RAL 2004.
Jet black RAL 9005.

Drawing reference:

Form C: blind hole
Form E: tapped blind hole

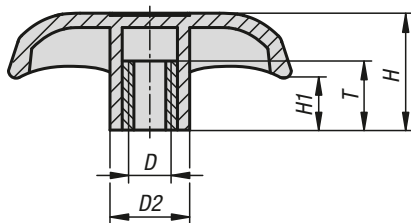
KIPP Palm grips, plastic coated grey cast iron, DIN 6335

Order No. orange	Order No. black	Form	D	D1	D2	H	H3	T	T1
K0682.108	K0682.208	C	8	40	14	26	14	15	18
K0682.110	K0682.210	C	10	50	18	34	20	18	21
K0682.112	K0682.212	C	12	63	20	42	25	22	25
K0682.116	K0682.216	C	16	80	25	52	30	28	32
K0682.308	K0682.408	E	M8	40	14	26	14	15	-
K0682.310	K0682.410	E	M10	50	18	34	20	18	-
K0682.312	K0682.412	E	M12	63	20	42	25	22	-
K0682.316	K0682.416	E	M16	80	25	52	30	28	-

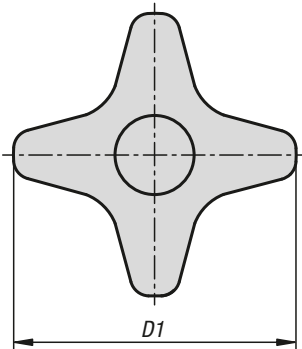
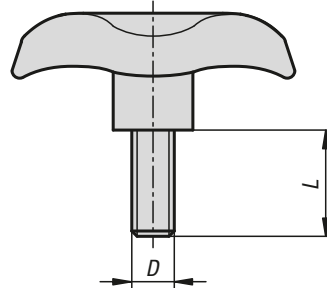
Palm grips soft



Ⓚ



Ⓛ



Material:

Body hard thermoplastic.
Coating soft thermoplastic.
Bush or screw steel 5.8.

Version:

Body and coating black.
Bush and screw electro zinc-plated.

Sample order:

K0613.5108X20 (include length L)

Note:

Palm grips with a soft gripping surface combine the stability of standard thermoplastic grips with the pleasant feel of the soft surface. The soft coating creates a sympathetic, non-slip surface allowing higher clamping forces while protecting the hand.

KIPP Palm grips soft with internal thread

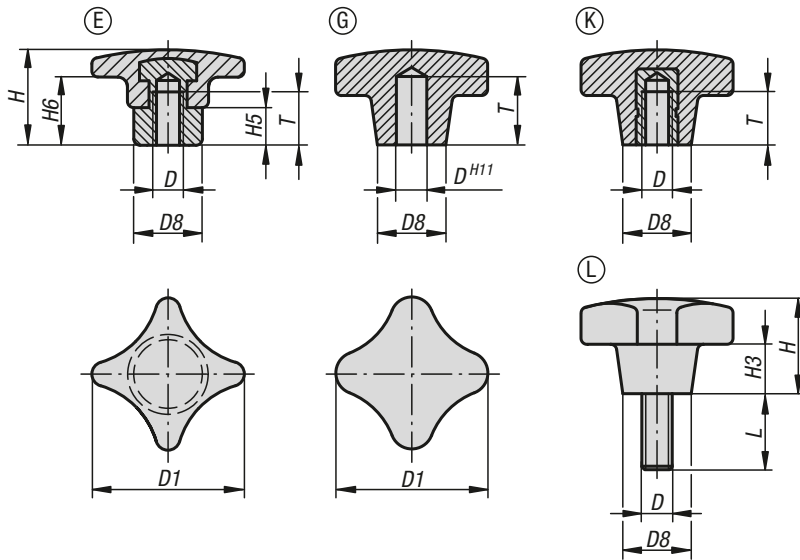
Order No.	Form	D	D1	D2	H	H1	T
K0613.5108	K	M8	51	15	22	10	13
K0613.5110	K	M10	51	15	22	10	13
K0613.7608	K	M8	76	19,5	28	13,5	20
K0613.7610	K	M10	76	19,5	28	13,5	20
K0613.7612	K	M12	76	19,5	28	13,5	20

KIPP Palm grips soft with external thread

Order No.	Form	D	D1	D2	H	H1	L
K0613.5108X	L	M8	51	15	23	10	20/40
K0613.5110X	L	M10	51	15	23	10	20/40
K0613.7608X	L	M8	76	19,5	30	13,5	20/40
K0613.7610X	L	M10	76	19,5	30	13,5	20/40
K0613.7612X	L	M12	76	19,5	30	13,5	20/30/40

Palm grips

similar to DIN 6335



Material:

Black thermoset PF 31.

Bush and screw electro zinc-plated steel.

Version:

High-gloss polished.

Sample order:

K0148.505X30 (include length L)

Drawing reference:

Form E: projecting steel bush

Form G: blind hole

Form K: tapped bush

Form L: external thread

Palm grips

similar to DIN 6335



KIPP Palm grips similar to DIN 6335, Form E

Order No.	Form	D	D1	D8	H	H5	H6	T
K0148.306	E	M6	32	12	23	9	12	12
K0148.308	E	M8	40	14	26	10	13	15
K0148.310	E	M10	50	18	32	12	18	18
K0148.312	E	M12	63	20	40	14	23	22
K0148.316	E	M16	80	25	50	17	28	28

KIPP Palm grips similar to DIN 6335, Form G

Order No.	Form	D	D1	D8	H	H3	T
K0148.405	G	5	25	12	16	8	12
K0148.406	G	6	32	14	20	10	15
K0148.408	G	8	40	18	25	13	18
K0148.410	G	10	50	22	32	20	21
K0148.412	G	12	63	26	40	25	25

KIPP Palm grips similar to DIN 6335, Form K

Order No.	Form	D	D1	D8	H	H3	T
K0148.205	K	M5	25	12	16	8	9,5
K0148.206	K	M6	32	14	20	10	12
K0148.208	K	M8	40	18	25	13	14
K0148.210	K	M10	50	22	32	20	18
K0148.212	K	M12	63	26	40	25	22
K0148.216	K	M16	80	35	50	30	30

KIPP Palm grips similar to DIN 6335, Form L

Order No.	Form	D	D1	D8	H	H3	L
K0148.505X	L	M5	25	12	16	8	15/20/25/30/40/50
K0148.506X	L	M6	32	14	20	10	15/20/25/30/40/50
K0148.508X	L	M8	40	18	25	13	20/25/30/35/40/45/50
K0148.510X	L	M10	50	22	32	20	20/25/30/35/40/45/50
K0148.512X	L	M12	63	26	40	25	20/30/40/50/60

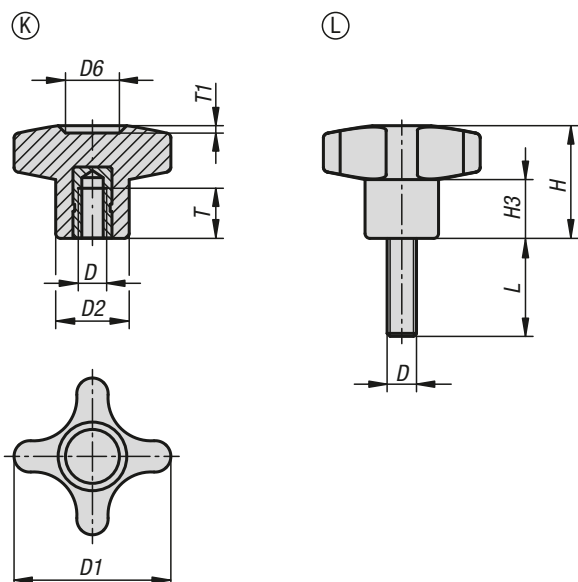
Palm grips



Material:
Fibreglass reinforced thermoplastic.
Tapped bush brass.
Screw steel.

Version:
Grip, black.
Screw electro zinc-plated.

Sample order:
K1089.43205X30 (include length L)



KIPP Palm grips with internal thread

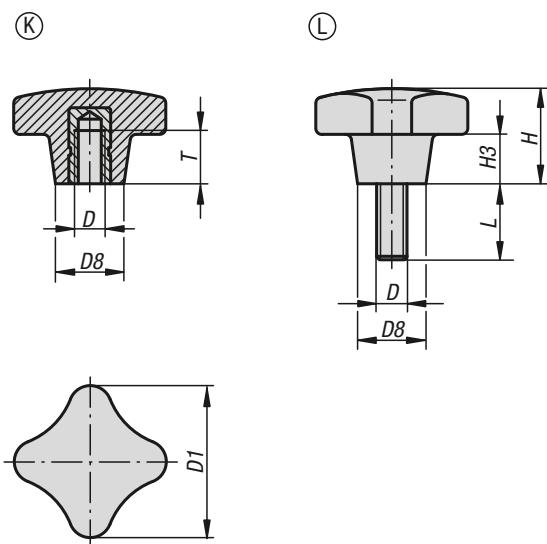
Order No.	Form	D	D1	D2	D6	H	H3	T	T1
K1089.23205	K	M5	32	15	11	23	12	14	1,5
K1089.23206	K	M6	32	15	11	23	12	14	1,5
K1089.24008	K	M8	40	16	13	24,5	12,5	14	1,5
K1089.25010	K	M10	50	20	14	29	15	14	2
K1089.26012	K	M12	60	24	18	34	18,5	18	2

KIPP Palm grips with external thread

Order No.	Form	D	D1	D2	D6	H	H3	T1	L
K1089.43205X	L	M5	32	15	11	23	11	1,5	16/20
K1089.43206X	L	M6	32	15	11	23	11	1,5	16/20/30
K1089.43208X	L	M8	32	15	11	23	11	1,5	16/20/30/40
K1089.44006X	L	M6	40	15,7	12	24,5	12,5	1	20/30
K1089.44008X	L	M8	40	15,7	12	24,5	12,5	1	20/30/40/50
K1089.45008X	L	M8	50	20	14,5	29	15	1,5	20/30/40
K1089.45010X	L	M10	50	20	14,5	29	15	1,5	20/30/40/50
K1089.46010X	L	M10	60	24	18	34	18,5	1,5	20/30/40/50
K1089.46012X	L	M12	60	24	18	34	18,5	1,5	20/30/40/50

Palm grips

similar to DIN 6335, metal parts stainless steel



Material:

Thermoset PF 31, black.

Metal parts stainless steel 1.4301.

Version:

High-gloss polished, black.

Sample order:

K1017.22505 (Form K)

K1017.52505X15 (Form L)

Drawing reference:

Form K: tapped bush

Form L: external thread

KIPP Palm grips metal parts stainless steel Form K

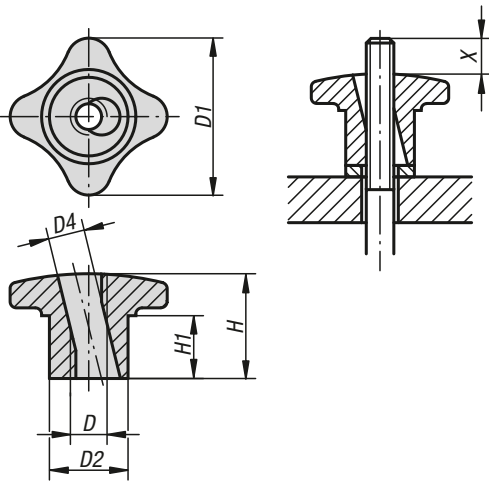
Order No.	Form	Component material	D	D1	D8	H	H3	T
K1017.22505	K	stainless steel	M5	25	12	16	8	9,5
K1017.23206	K	stainless steel	M6	32	14	20	10	12
K1017.24008	K	stainless steel	M8	40	18	25	13	14
K1017.25010	K	stainless steel	M10	50	22	32	20	18
K1017.26312	K	stainless steel	M12	63	26	40	25	22

KIPP Palm grips metal parts stainless steel Form L

Order No.	Form	Component material	D	D1	D8	H	H3	L
K1017.52505X15	L	stainless steel	M5	25	12	16	8	15
K1017.52505X20	L	stainless steel	M5	25	12	16	8	20
K1017.53206X15	L	stainless steel	M6	32	14	20	10	15
K1017.53206X20	L	stainless steel	M6	32	14	20	10	20
K1017.53206X25	L	stainless steel	M6	32	14	20	10	25
K1017.53206X30	L	stainless steel	M6	32	14	20	10	30
K1017.53206X40	L	stainless steel	M6	32	14	20	10	40
K1017.53206X50	L	stainless steel	M6	32	14	20	10	50
K1017.54008X20	L	stainless steel	M8	40	18	25	13	20
K1017.54008X25	L	stainless steel	M8	40	18	25	13	25
K1017.54008X30	L	stainless steel	M8	40	18	25	13	30
K1017.54008X40	L	stainless steel	M8	40	18	25	13	40
K1017.54008X50	L	stainless steel	M8	40	18	25	13	50

Palm grips quick-acting

grey cast iron



Material:

Grey cast iron GJL 300

Version:

Vibratory ground.

Sample order:

K0683.08

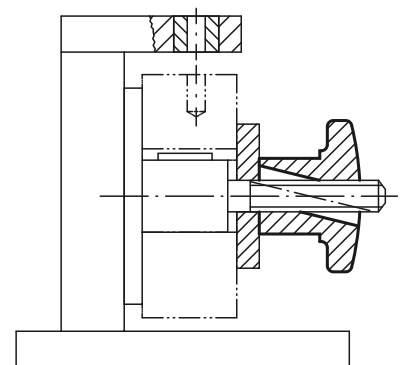
Note:

Quick-acting palm grips can be used on all fixtures that do not require a high clamping force.

Tilt the grip to slide on, then straighten it to engage the threads.

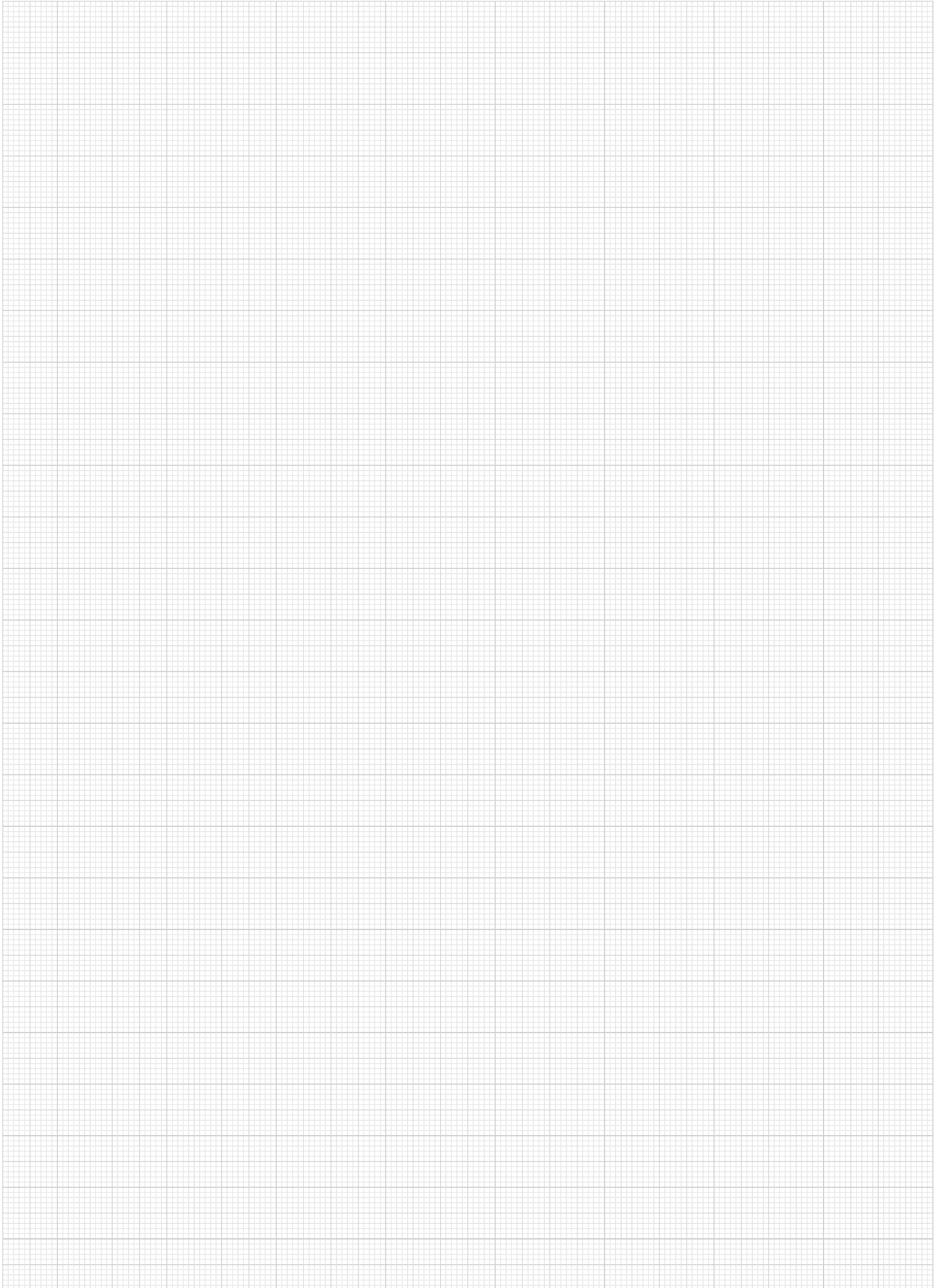
Drawing reference:

X: The stud should be several mm longer than height "H"



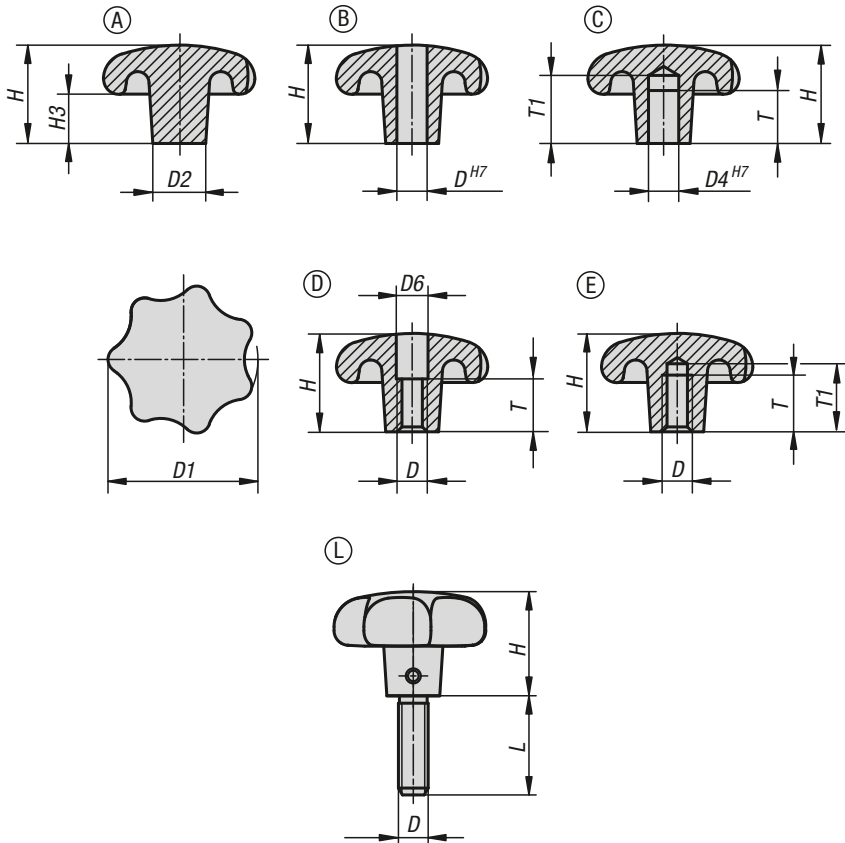
KIPP Palm grips quick-acting, grey cast iron

Order No.	D	D1	D2	D4	H	H1
K0683.06	M6	30	15	7	20	10
K0683.08	M8	40	18	9,4	25	14
K0683.10	M10	50	21	11,3	30	16
K0683.12	M12	60	26	13,1	35	19
K0683.14	M14	70	30	15,6	40	22
K0683.16	M16	80	34	17,6	45	25



Star grips

aluminium, similar to DIN 6336



Material:

Aluminium.
Grub screw stainless steel 1.4305.
Pin stainless steel 1.4310.

Version:

Vibratory ground or ground and polished.
Grub screw and pin bright.

Sample order:

K0149.64008X20 (include length L.)

On request:

Blank star grips (not tumbled).

Drawing reference:

- Form A: blank
- Form B: drilled through
- Form C: blind hole
- Form D: tapped and counterbored
- Form E: tapped blind hole
- Form L: external thread

KIPP Star grips, aluminium, similar to DIN 6336

Order No.	Form	Surface finish body	D1	D2	H	H3
K0149.14008	A	tumbled	40	14	26	13
K0149.15010	A	tumbled	50	18	34	17
K0149.16312	A	tumbled	63	20	42	21
K0149.18016	A	tumbled	80	25	52	25

Order No. tumbled	Order No. polished	Form	D	D1	D2	H
K0149.24008	K0149.240082	B	8	40	14	25
K0149.25010	K0149.250102	B	10	50	18	32
K0149.26312	K0149.263122	B	12	63	20	40
K0149.28016	K0149.280162	B	16	80	25	50

Star grips

aluminium, similar to DIN 6336



Order No. tumbled	Order No. polished	Form	D	D1	D2	H	T	T1
K0149.34008	K0149.340082	C	8	40	14	25	15	18
K0149.35010	K0149.350102	C	10	50	18	32	18	21
K0149.36312	K0149.363122	C	12	63	20	40	22	25
K0149.38016	K0149.380162	C	16	80	25	50	28	32

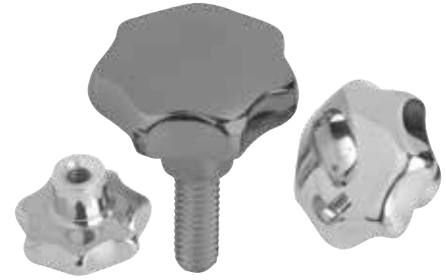
Order No. tumbled	Order No. polished	Form	D	D1	D2	D6	H	T
K0149.44008	K0149.440082	D	M8	40	14	8,4	25	12
K0149.45010	K0149.450102	D	M10	50	18	10,5	32	16
K0149.46312	K0149.463122	D	M12	63	20	13	40	20
K0149.48016	K0149.480162	D	M16	80	25	17	50	30

Order No. tumbled	Order No. polished	Form	D	D1	D2	H	T	T1
K0149.54008	K0149.540082	E	M8	40	14	25	15	18
K0149.55010	K0149.550102	E	M10	50	18	32	18	21
K0149.56312	K0149.563122	E	M12	63	20	40	22	25
K0149.58016	K0149.580162	E	M16	80	25	50	28	32

Order No.	Form	Surface finish body	D	D1	D2	H	L
K0149.64008X	L	tumbled	M8	40	14	25	20/25/30/40
K0149.65010X	L	tumbled	M10	50	18	32	25/30/40/50
K0149.66312X	L	tumbled	M12	63	20	40	30/40/50/60

Star grips

stainless steel, similar to DIN 6336

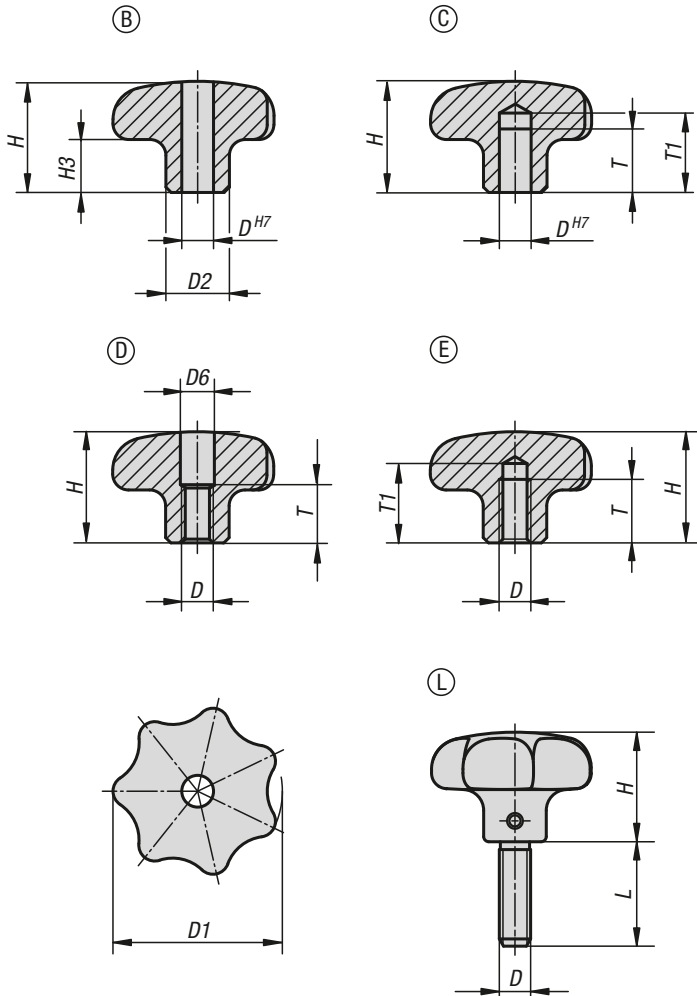


Material:
 Stainless steel 1.4308.
 Grub screw stainless steel 1.4305.
 Pin stainless steel 1.4310.

Version:
 Ground and polished or blasted.
 Grub screw and pin bright.

Sample order:
 K0150.632063X20 (include length L.)

Drawing reference:
 Form B: drilled through
 Form C: blind hole
 Form D: tapped and counterbored
 Form E: tapped blind hole
 Form L: external thread



Star grips

stainless steel, similar to DIN 6336



KIPP Star grips in stainless steel, similar to DIN 6336



Order No. Form B	Order No. Form C	Surface finish body	D	D1	D2	H	H3	T	T1
K0150.232062	K0150.332062	polished	6	32	12	21	10	-/12	-/15
K0150.240082	K0150.340082	polished	8	40	14	26	13	-/15	-/18
K0150.250102	K0150.350102	polished	10	50	18	34	17	-/18	-/21
K0150.263122	K0150.363122	polished	12	63	20	42	21	-/22	-/25
K0150.232063	K0150.332063	blasted	6	32	12	21	10	-/12	-/15
K0150.240083	K0150.340083	blasted	8	40	14	26	13	-/15	-/18
K0150.250103	K0150.350103	blasted	10	50	18	34	17	-/18	-/21
K0150.263123	K0150.363123	blasted	12	63	20	42	21	-/22	-/25

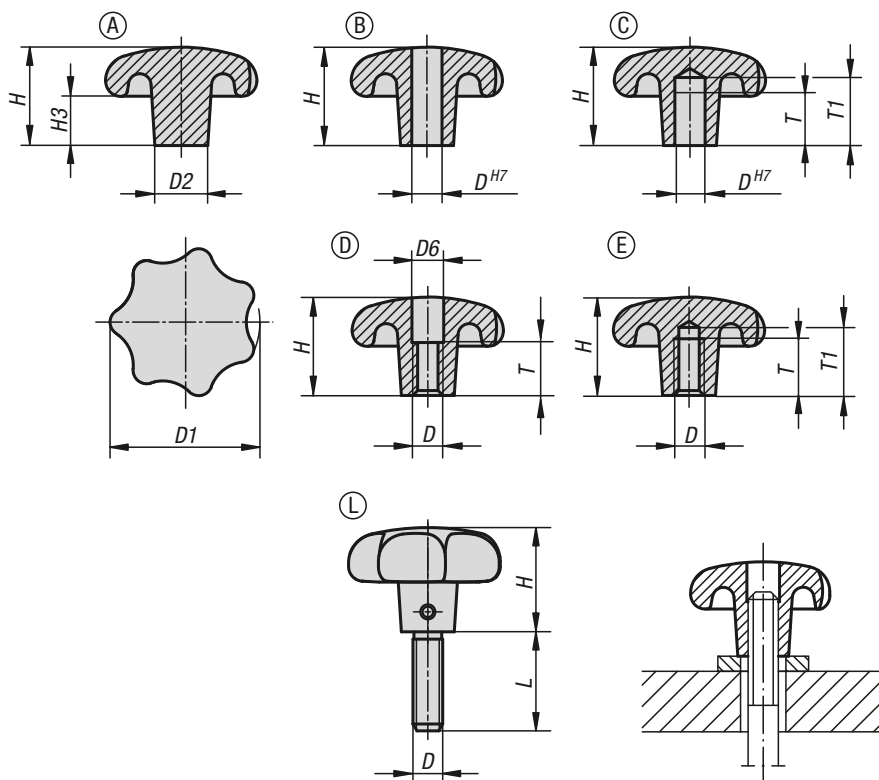
Order No.	Form	Surface finish body	D	D1	D2	D6	H	H3	T
K0150.432062	D	polished	M6	32	12	6,4	21	10	11
K0150.440082	D	polished	M8	40	14	8,4	26	13	14
K0150.450102	D	polished	M10	50	18	10,5	34	17	18
K0150.463122	D	polished	M12	63	20	13	42	21	22
K0150.432063	D	blasted	M6	32	12	6,4	21	10	11
K0150.440083	D	blasted	M8	40	14	8,4	26	13	14
K0150.450103	D	blasted	M10	50	18	10,5	34	17	18
K0150.463123	D	blasted	M12	63	20	13	42	21	22

Order No.	Form	Surface finish body	D	D1	D2	H	H3	T	T1
K0150.532062	E	polished	M6	32	12	21	10	12	15
K0150.540082	E	polished	M8	40	14	26	13	15	18
K0150.550102	E	polished	M10	50	18	34	17	18	21
K0150.563122	E	polished	M12	63	20	42	21	22	25
K0150.532063	E	blasted	M6	32	12	21	10	12	15
K0150.540083	E	blasted	M8	40	14	26	13	15	18
K0150.550103	E	blasted	M10	50	18	34	17	18	21
K0150.563123	E	blasted	M12	63	20	42	21	22	25

Order No.	Form	Surface finish body	D	D1	D2	H	H3	L
K0150.632063X	L	blasted	M6	32	12	21	10	15/20/25/30
K0150.640083X	L	blasted	M8	40	14	26	13	20/25/30/40
K0150.650103X	L	blasted	M10	50	18	34	17	25/30/40/50
K0150.663123X	L	blasted	M12	63	20	42	21	30/40/50/60

Star grips

grey cast iron, DIN 6336



Material:
 Grey cast iron GJL 200.
 Grub screw stainless steel 1.4305.
 Pin stainless steel 1.4310.

Version:
 Vibratory ground, bright.
 Grub screw and pin bright.

Sample order:
 K0151.606X20 (include length L.)

On request:
 Grips with a plastic coating.

Drawing reference:
 Form A: blank
 Form B: drilled through
 Form C: blind hole
 Form D: tapped and counterbored
 Form E: tapped blind hole
 Form L: external thread

KIPP Star grips, grey cast iron, DIN 6336

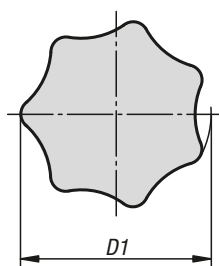
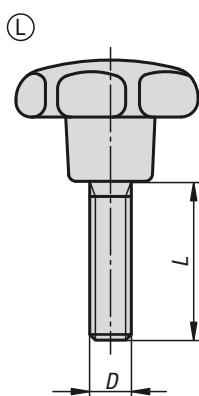
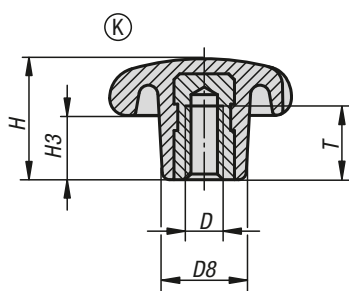
Order No.	Form	Surface finish body	D	D1	D2	H	H3
K0151.106	Form A	tumbled	-/6	32	12	21/20	10
K0151.108	Form A	tumbled	-/8	40	14	26/25	13
K0151.110	Form A	tumbled	-/10	50	18	34/32	17
K0151.112	Form A	tumbled	-/12	63	20	42/40	21
K0151.116	Form A	tumbled	-/16	80	25	52/50	25
K0151.206	Form B	tumbled	-/6	32	12	21/20	10
K0151.216	Form B	tumbled	-/16	80	25	52/50	25
K0151.208	Form B	tumbled	-/8	40	14	26/25	13
K0151.210	Form B	tumbled	-/10	50	18	34/32	17
K0151.212	Form B	tumbled	-/12	63	20	42/40	21

Order No. Form C	Order No. Form D	Order No. Form E	Surface finish body	D	D1	D2	H	H3	T	T1
K0151.306	K0151.406	K0151.506	tumbled	6 / M6 / M6	32	12	20	10	12/10/12	15/-/15
K0151.308	K0151.408	K0151.508	tumbled	8 / M8 / M8	40	14	25	13	15/13/15	18/-/18
K0151.310	K0151.410	K0151.510	tumbled	10 / M10 / M10	50	18	32	17	18/16/18	21/-/21
K0151.312	K0151.412	K0151.512	tumbled	12 / M12 / M12	63	20	40	21	22/20/22	25/-/25
K0151.316	K0151.416	K0151.516	tumbled	16 / M16 / M16	80	25	50	25	28/20/28	32/-/32

Order No.	Form	Surface finish body	D	D1	D2	H	L
K0151.606X	L	tumbled	M6	32	12	20	15/20/25/30
K0151.608X	L	tumbled	M8	40	14	25	20/25/30/40
K0151.610X	L	tumbled	M10	50	18	32	25/30/40/50
K0151.612X	L	tumbled	M12	63	20	40	30/40/50/60

Star grips

similar to DIN 6336



Material:

Thermoset PF 31, black.

Bush and screw steel, trivalent blue passivated.

Version:

High-gloss polished.

Sample order:

K0152.42505X15 (include length L.)

Note:

The version K0152.22004 has a brass bush.

On request:

Other colours.

Drawing reference:

Form K: tapped bush

Form L: external thread

KIPP Star grips similar to DIN 6336 with internal thread, Form K

Order No.	Form	D	D1	D8	H	H3	T
K0152.22004	K	M4	20	10	13	7	6,5
K0152.22505	K	M5	25	12	16	8	9,5
K0152.23206	K	M6	32	14	20	10	12
K0152.24008	K	M8	40	18	25	13	14
K0152.25010	K	M10	50	22	32	17	18
K0152.26312	K	M12	63	26	40	21	22
K0152.28016	K	M16	80	35	50	25	30

KIPP Star grips similar to DIN 6336 with external thread, Form L

Order No.	Form	D	D1	D8	H	H3	L
K0152.42505X	L	M5	25	12	16	8	15/20/25
K0152.43206X	L	M6	32	14	20	10	15/20/25/30
K0152.44008X	L	M8	40	18	25	13	20/25/30/35/40
K0152.45010X	L	M10	50	22	32	17	25/30/35/40/50
K0152.46312X	L	M12	63	26	40	21	30/35/40/50/60
K0152.48016X	L	M16	80	35	50	25	30/40/50/60

Star grips

similar to DIN 6336 metal parts stainless steel



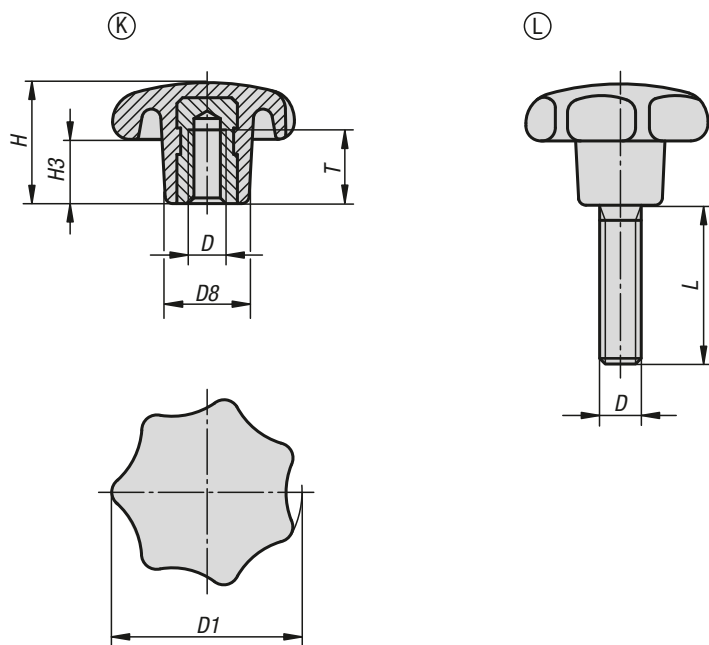
Material:
Thermoset PF 31, black.
Bushing or threaded pin stainless steel 1.4301.

Version:
High-gloss polished.

Sample order:
K1016.43206X20 (include length L)

On request:
Other colours.

Drawing reference:
Form K: tapped bush
Form L: external thread



KIPP Star grips similar to DIN 6336, metal parts stainless steel, internal thread, with cap, Form K

Order No.	Form	D	D1	D8	H	H3	T
K1016.22505	K	M5	25	12	16	8	7,5
K1016.23206	K	M6	32	14	20	10	12
K1016.24008	K	M8	40	18	25	13	14
K1016.25010	K	M10	50	22	32	17	18
K1016.26312	K	M12	63	26	40	21	22
K1016.28016	K	M16	80	35	50	25	24

KIPP Star grips similar to DIN 6336 metal parts stainless steel, with external thread, Form L

Order No.	Form	D	D1	D8	H	H3	L
K1016.42505X	L	M5	25	12	16	8	15/20/25
K1016.43206X	L	M6	32	14	20	10	15/20/25/30/40
K1016.44008X	L	M8	40	18	25	13	20/25/30/40/50
K1016.45010X	L	M10	50	22	32	17	25/30/40/50
K1016.46312X	L	M12	63	26	40	21	30/40/50/60
K1016.48016X	L	M16	80	35	50	25	30/40/50/60

Star grips, plastic

with protruding steel bush



The thermoset star grip is distinguished by its closed grip contour. The contact surface of the protruding steel bush is vertical to the thread axis and ensures a firm screw connection.

Material:

Thermoset PF 31.
Steel grade 5.8 or stainless steel 1.4305.

Version:

Thermoset black, high-gloss polished.
Metal parts trivalent blue passivated steel or bright stainless steel.

Sample order:

K1514.43206X10 (include length L)

Advantages:

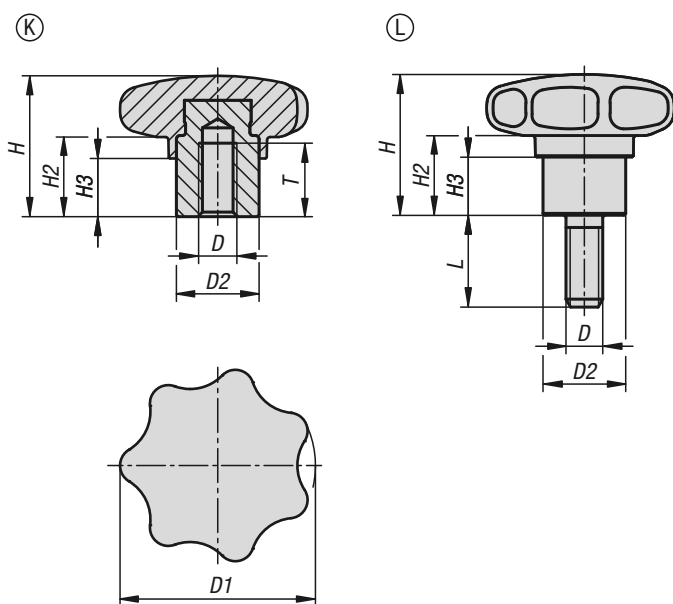
Wear resistant contact surface
Closed grip contour

On request:

Form H: bush with blind hole

Drawing reference:

Form K: tapped bush
Form L: external thread



KIPP Star grips plastic with protruding steel bush, internal thread, Form K

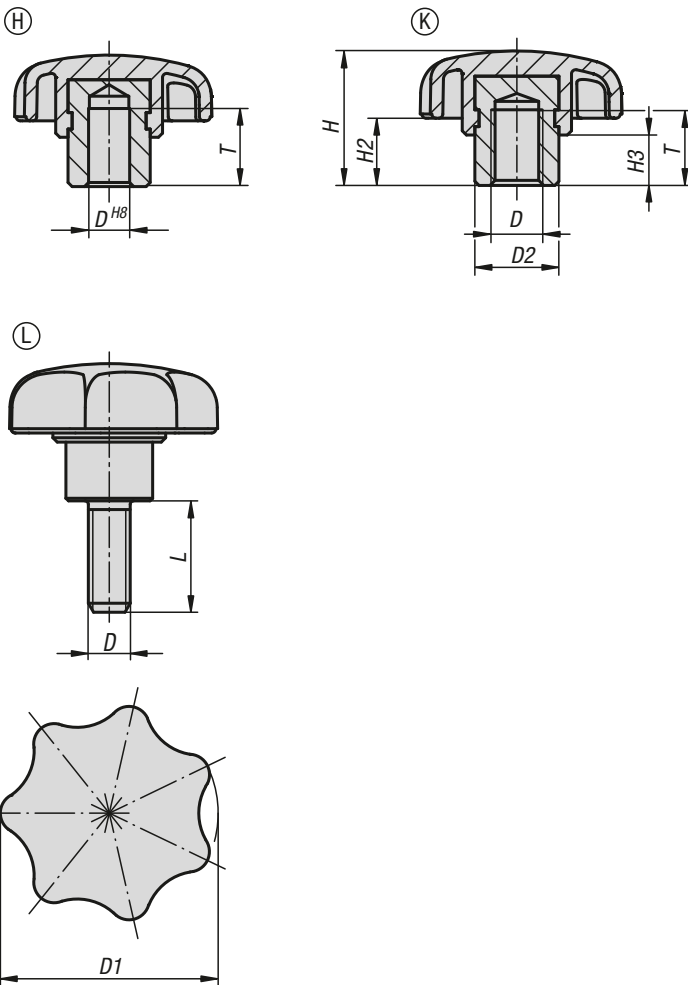
Order No. steel	Order No. stainless steel	Form	D	D1	D2	H	H2	H3	T
K1514.23206	K1514.33206	K	M6	32	13,5	23	13	9,5	12
K1514.24006	K1514.34006	K	M6	40	13,5	25	13	10	12
K1514.24008	K1514.34008	K	M8	40	13,5	25	13	10	12
K1514.25008	K1514.35008	K	M8	50	19	32	17	12	17
K1514.25010	K1514.35010	K	M10	50	19	32	17	12	17
K1514.26310	K1514.36310	K	M10	63	19	40	20	15	17
K1514.26312	K1514.36312	K	M12	63	19	40	20	15	17

KIPP Star grips plastic with protruding steel bush, external thread, Form L

Order No. steel	Order No. stainless steel	Form	D	D1	D2	H	H2	H3	L
K1514.43206X	K1514.53206X	L	M6	32	13,5	23	13	9,5	10/15/20/25/30
K1514.44008X	K1514.54008X	L	M8	40	13,5	25	13	10	15/20/25/30/40/50
K1514.45010X	K1514.55010X	L	M10	50	19	32	17	12	20/25/30/40/50/60
K1514.46312X	K1514.56312X	L	M12	63	19	40	20	15	20/25/30/40/50/60

Star grips

with projecting steel bush



Material:

Black thermoplastic.

Steel grade 5.8 or stainless steel 1.4305.

Version:

Metal parts trivalent blue passivated steel or bright stainless steel.

Sample order:

K0153.405X20 (include length L.)

Note:

Star grips with projecting steel bush and blind hole or female thread are especially suited for cross pinning.

Drawing reference:

Form H: bush with blind hole

Form K: tapped bush

Form L: external thread

KIPP Star grips with projecting steel bush, Form H

Order No.	Form	Component material	D	D1	D2	H	H2	H3	T
K0153.105	H	steel	5	25	10	17	9	7	9,5
K0153.106	H	steel	6	32	13,5	21	11	9,5	12,5
K0153.1061	H	steel	6	40	13,5	25	13	10	12,5
K0153.108	H	steel	8	40	13,5	25	13	10	12,5
K0153.1081	H	steel	8	50	19	32	17	12	19,5
K0153.110	H	steel	10	50	19	32	17	12	19,5
K0153.1101	H	steel	10	63	19	37	18	12	19,5
K0153.112	H	steel	12	63	19	37	18	12	19,5
K0153.116	H	steel	16	63	23	40	21	15	24,5

Star grips

with projecting steel bush



KIPP Star grips with projecting steel bush, Form K

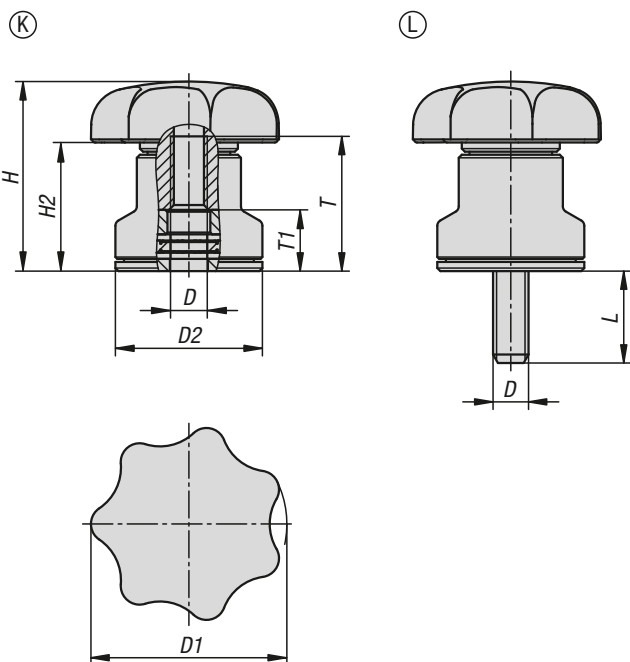
Order No. steel	Order No. stainless steel	Form	D	D1	D2	H	H2	H3	T
K0153.205	K0153.305	K	M5	25	10	17	9	7	9
K0153.206	K0153.306	K	M6	32	13,5	21	11	9,5	12
K0153.2061	K0153.3061	K	M6	40	13,5	25	13	10	12
K0153.208	K0153.308	K	M8	40	13,5	25	13	10	12
K0153.2081	K0153.3081	K	M8	50	19	32	17	12	17
K0153.210	K0153.310	K	M10	50	19	32	17	12	17
K0153.2101	K0153.3101	K	M10	63	19	37	18	12	17
K0153.212	K0153.312	K	M12	63	19	37	18	12	17
K0153.216	K0153.316	K	M16	63	23	40	21	15	23

KIPP Star grips with external thread, Form L

Order No. steel	Order No. stainless steel	Form	D	D1	D2	H	H2	H3	L
K0153.405X	K0153.505X	L	M5	25	10	17	9	7	10/15/20
K0153.406X	K0153.506X	L	M6	32	13,5	21	11	9,5	10/15/20/25/30
K0153.408X	K0153.508X	L	M8	40	13,5	25	13	10	15/20/25/30/40/50
K0153.410X	K0153.510X	L	M10	50	19	32	17	12	20/25/30/40/50/60
K0153.412X	K0153.512X	L	M12	63	19	37	18	12	20/25/30/40/50/60

Star grips, plastic

with clamping force intensifier



Star grips with integrated clamping force intensifier can achieve double the clamping force compared to standard star grips.

Furthermore, this product can also be used by persons with limited hand strength (e.g. in rehabilitation) to achieve comparable clamping forces with less effort. Less effort is also needed to loosen the star grip.

The increase in clamping force is achieved by the integral needle roller thrust bearing, which generates very low surface friction on a rigid contact surface during clamping. The hardened thrust washers are designed for high clamping forces and the bearing with its high load rating guarantees a long service life.

The clamped component is permanently protected by the large, stationary contact surface. A washer is no longer required.

Due to the modular construction many special designs are available.

Material:

Star grip polyamide thermoplastic, black.
Steel parts 5.8 steel or stainless steel 1.4305.

Version:

Metal parts trivalent blue passivated steel or bright stainless steel.
Axial needle bearing with hardened and ground thrust washer.

Sample order:

K1596.406X20 (include length L.)

Application:

Machine, equipment and plant construction, rehabilitation sector.

Advantages:

Significant increase of the clamping force with the same tightening torque.

High quality axial needle bearing with high load rating and long service life.

The component surface is protected by the stationary lower ring.

On request:
Other thread lengths.

Drawing reference:
Form K: tapped bush
Form L: external thread

KIPP Star grips, plastic with clamping force intensifier, Form K

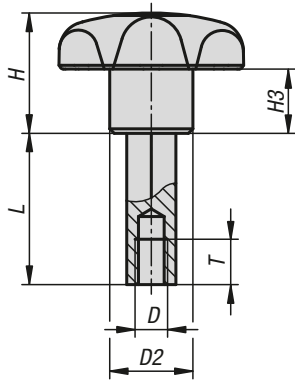
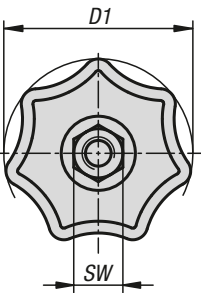
Order No. steel	Order No. stainless steel	Form	D	D1	D2	H	H2	T	T1
K1596.206	K1596.306	K	M6	32	24	31	21	22	10
K1596.208	K1596.308	K	M8	40	25	35	23	22	10
K1596.210	K1596.310	K	M10	50	30	42	27	27	10
K1596.212	K1596.312	K	M12	63	35	47	28	27	10

KIPP Star grips, plastic with clamping force intensifier, Form L

Order No. steel	Order No. stainless steel	Form	D	D1	D2	H	H2	L
K1596.406X	K1596.506X	L	M6	32	24	31	21	10/20
K1596.408X	K1596.508X	L	M8	40	25	35	23	15/30
K1596.410X	K1596.510X	L	M10	50	30	42	27	20/30
K1596.412X	K1596.512X	L	M12	63	35	47	28	20/30

Star grips

with extended collar



Material:

Thermoplastic, black.

Extension piece, free-cutting steel .

Version:

Extension piece, trivalent blue passivated.

Sample order:

K1291.320508020

(include length L e.g. 020 for L = 20 mm.)



KIPP Star grips with extended collar

Order No.	D	D1	D2	H	H3	L	SW	T
K1291.320508***	M5	32	14	20	10	20/25/30	8	8
K1291.400610***	M6	40	18	25	13	20/25/30/40/50	10	9
K1291.500813***	M8	50	22	32	17	20/25/30/40/50/80	13	12
K1291.631016***	M10	63	26	40	21	25/30/40/50/80/100	16	15

Star grips

similar to DIN 6336



Material:
Black thermoplastic.
Bush and screw steel.

Version:
Bush and screw trivalent blue passivated.

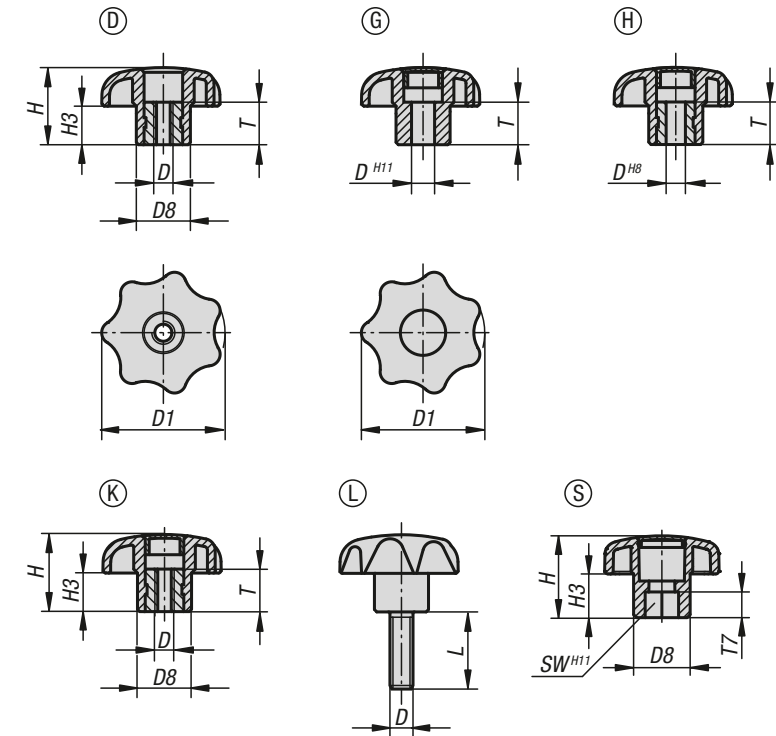
Sample order:
K0155.4127X30
(Cap colour colza yellow; include length L)

Note:
Δ Add the desired cap colour code here. No colour code is required for black caps.

On request:
Other colours or designs, such as company logo.

Drawing reference:
Form D: tapped bush without cap
Form G: without bush
Form H: with reamed bush
Form K: tapped bush with cap
Form L: external thread
Form S: hexagon

examples of grip cap designs



KIPP Star grips similar to DIN 6336

Order No.	Form	D	D1	D8	H	H3	T
K0155.504	D	M4	25	12	16	8	10
K0155.505	D	M5	25	12	16	8	10
K0155.5061	D	M6	25	12	16	8	10
K0155.5051	D	M5	32	14	20	10	10
K0155.506	D	M6	32	14	20	10	10
K0155.508	D	M8	40	18	25	13	14
K0155.5101	D	M10	40	18	25	13	14
K0155.5081	D	M8	50	22	32	17	14
K0155.510	D	M10	50	22	32	17	14
K0155.5121	D	M12	50	22	32	17	18
K0155.5102	D	M10	63	26	40	21	14
K0155.512	D	M12	63	26	40	21	18
K0155.516	D	M16	63	26	40	21	18

Star grips

similar to DIN 6336



Order No. Form G	Order No. Form H	D	D1	D8	H	H3	T
K0155.305Δ	K0155.105Δ	5	25	12	16	8	10
K0155.306Δ	K0155.106Δ	6	32	14	20	10	10
K0155.308Δ	K0155.108Δ	8	40	18	25	13	14
K0155.310Δ	K0155.110Δ	10	50	22	32	17	14
-	K0155.1101Δ	10	63	26	40	21	14
K0155.312Δ	K0155.112Δ	12	63	26	40	21	18

Order No.	Form	D	D1	D8	H	H3	T
K0155.204Δ	K	M4	25	12	16	8	10
K0155.205Δ	K	M5	25	12	16	8	10
K0155.2061Δ	K	M6	25	12	16	8	10
K0155.2051Δ	K	M5	32	14	20	10	10
K0155.206Δ	K	M6	32	14	20	10	10
K0155.208Δ	K	M8	40	18	25	13	14
K0155.2101Δ	K	M10	40	18	25	13	14
K0155.2081Δ	K	M8	50	22	32	17	14
K0155.210Δ	K	M10	50	22	32	17	14
K0155.2121Δ	K	M12	50	22	32	17	18
K0155.2102Δ	K	M10	63	26	40	21	14
K0155.212Δ	K	M12	63	26	40	21	18
K0155.216Δ	K	M16	63	26	40	21	18

Order No.	Form	D	D1	D8	H	H3	L
K0155.405ΔX	L	M5	25	12	16	8	10/15/20/25/30/35/40/45/50/60
K0155.406ΔX	L	M6	25	12	16	8	10/15/20/25/30/35/40/45/50/60
K0155.4061ΔX	L	M6	32	14	20	10	10/15/20/25/30/35/40/45/50/60
K0155.408ΔX	L	M8	32	14	20	10	15/20/25/30/35/40/45/50/60
K0155.4081ΔX	L	M8	40	18	25	13	15/20/25/30/35/40/45/50/60
K0155.410ΔX	L	M10	40	18	25	13	15/20/25/30/35/40/45/50/60
K0155.4101ΔX	L	M10	50	22	32	17	15/20/25/30/35/40/45/50/60
K0155.412ΔX	L	M12	50	22	32	17	15/20/25/30/35/40/45/50/60
K0155.4102ΔX	L	M10	63	26	40	21	20/25/30/35/40/45/50/60
K0155.4121ΔX	L	M12	63	26	40	21	20/25/30/35/40/45/50/60
K0155.416ΔX	L	M16	63	26	40	21	30/35/40/45/50/60

Order No.	Form	D1	D8	H	H3	SW	T7
K0155.808	S	32	14	20	10	8	5
K0155.810	S	40	18	25	13	10	10
K0155.813	S	50	22	32	17	13	10
K0155.816	S	63	26	40	21	16	15

Star grips biopolymer

similar to DIN 6336



Material:

Grip biopolymer.
Bush and screw steel.

Version:

Bush and screw trivalent blue passivated.
Natural beech with beech fibres or coloured black grey.

Sample order:

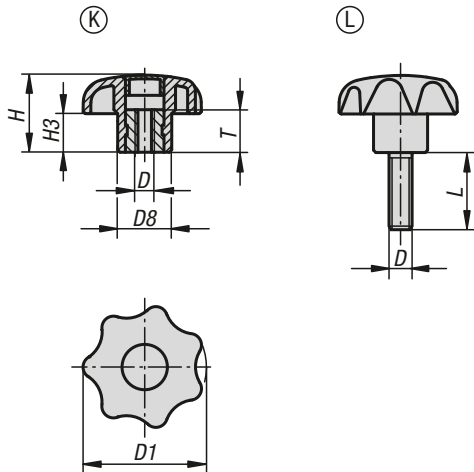
K0155.10406190X15

Advantages:

This biopolymer is manufactured entirely from renewable raw materials (oil free).
Conservation of finite fossil resources.
The wood fibres originate 100% from local, sustainably managed forests in Germany.

Features:

Excellent mechanical stability (certified with a minimum of 2x safety factor).
Biopolymer is suitable for recycling (comparable to thermoplastics).
Suitable for outdoor use (not biodegradable).
Excellent resistance to strong acids and lyes.
Short-term resistance to alcohol, fuel, mineral oil and grease.



Star grips biopolymer

similar to DIN 6336



KIPP Star grips biopolymer similar to DIN 6336, internal thread

Order No.	Form	Main colour	D	D1	D8	H	H3	T
K0155.102051143	K	natural beech	M5	32	14	20	10	10
K0155.10206143	K	natural beech	M6	32	14	20	10	10
K0155.10208143	K	natural beech	M8	40	18	25	13	14
K0155.102081143	K	natural beech	M8	50	22	32	17	14
K0155.102101143	K	natural beech	M10	40	18	25	13	14
K0155.10210143	K	natural beech	M10	50	22	32	17	14
K0155.102121143	K	natural beech	M12	50	22	32	17	18
K0155.10205190	K	black grey RAL 7021	M5	32	14	20	10	10
K0155.1020690	K	black grey RAL 7021	M6	32	14	20	10	10
K0155.1020890	K	black grey RAL 7021	M8	40	18	25	13	14
K0155.10208190	K	black grey RAL 7021	M8	50	22	32	17	14
K0155.10210190	K	black grey RAL 7021	M10	40	18	25	13	14
K0155.1021090	K	black grey RAL 7021	M10	50	22	32	17	14
K0155.10212190	K	black grey RAL 7021	M12	50	22	32	17	18

KIPP Star grips biopolymer similar to DIN 6336, external thread

Order No.	Form	Main colour	D	D1	D8	H	H3	L
K0155.104061143X15	L	natural beech	M6	32	14	20	10	15
K0155.10408143X20	L	natural beech	M8	32	14	20	10	20
K0155.104081143X25	L	natural beech	M8	40	18	25	13	25
K0155.10410143X25	L	natural beech	M10	40	18	25	13	25
K0155.104101143X25	L	natural beech	M10	50	22	32	17	25
K0155.10412143X25	L	natural beech	M12	50	22	32	17	25
K0155.10406190X15	L	black grey RAL 7021	M6	32	14	20	10	15
K0155.1040890X20	L	black grey RAL 7021	M8	32	14	20	10	20
K0155.10408190X25	L	black grey RAL 7021	M8	40	18	25	13	25
K0155.1041090X25	L	black grey RAL 7021	M10	40	18	25	13	25
K0155.10410190X25	L	black grey RAL 7021	M10	50	22	32	17	25
K0155.1041290X25	L	black grey RAL 7021	M12	50	22	32	17	25

Star grips antibacterial

similar to DIN 6336, metal parts stainless steel



Material:

Thermoplastic, slate grey.
Bush and screw stainless steel 1.4305.

Version:

Bush and screw bright.

Sample order:

K0154.12408144X25

Application:

The antibacterial KIPP MEDI grip products are highly effective against a variety of hazardous microorganisms, such as bacteria, fungi and even multi-resistant bacteria (e.g. MRSA). The plastic used incorporates micro-silver particles with an antimicrobial effect to ensure effective results throughout the entire product life cycle.

Function:

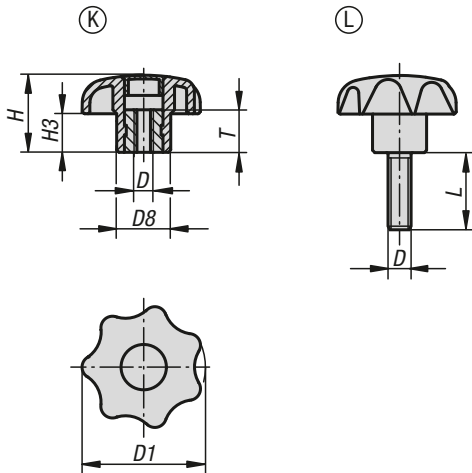
The growth of harmful micro-organisms on the product surface is effectively disrupted by means of silver ions, and the existing germs on MEDI grip products are consistently reduced (as tested and confirmed by an accredited testing laboratory). During cleaning cycles the risk of infection through touching these products is significantly lower.

Advantages:

Resistant to humidity and cleaning products (during disinfection) with no toxic side effects.

Applications:

For installation on machines, equipment, plants and furnishings in areas with increased hygienic requirements (including hospitals, doctors' surgeries, rehabilitation centres and food production facilities), as well as for use in public areas or regularly frequented institutions (i.e. nursing homes or daycare centres).



KIPP Star grips antibacterial, similar to DIN 6336, metal parts stainless steel, internal thread, Form K

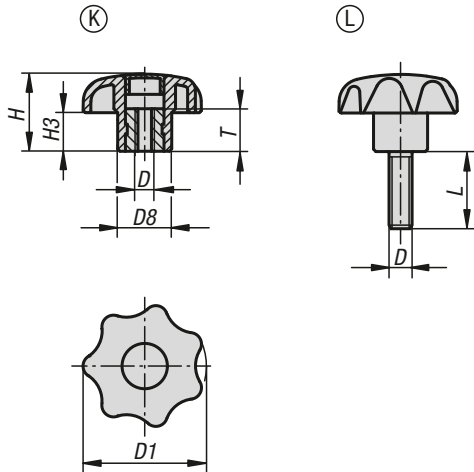
Order No.	Form	D	D1	D8	H	H3	T
K0154.12208144	K	M8	40	18	25	13	14

KIPP Star grips antibacterial, similar to DIN 6336, metal parts stainless steel, external thread, Form L

Order No.	Form	D	D1	D8	H	H3	L
K0154.12408144X25	L	M8	40	18	25	13	25

Star grips antistatic

similar to DIN 6336



Material:

Thermoplastic, graphite black.
Bush or screw steel 5.8.

Version:

Screw blue passivated.

Sample order:

K0155.1120824

Application:

Sensitive electrical or electronic equipment, components and devices (ESD sensitive elements) may be damaged or destroyed by electrostatic discharges (ESD) in the immediate vicinity. Electrostatic discharges can come from people or through handling ESD sensitive components (e.g. during production, assembly, transport, storage etc). Electrically conductive products which conform to DIN EN 61340-5-1 are essential within electronic environments to prevent an electrostatic discharge. These products can be used for ESD applications or in ESD protection areas (EPA) in accordance with DIN EN 61340-5-1.

Safety:

These ESD products can also be used for devices, components and protection systems in areas with high risk of explosion. Use of these ESD products prevents the occurrence of electrostatic spark discharges, eliminating the potential ignition of gases and dusts which could lead to explosions in enclosed spaces. Manufacturers and operators must use and conform to ATEX directives for the protection of persons working in areas with high risk of explosion. These ESD products are certified by TÜV-Süd in relation to their electrical discharge capability.

Target groups:

Device manufacturers required to conform to ATEX product directive 2014/34/EU.
Operators required to conform to ATEX worker protection directive 1999/92/EC.

Drawing reference:

Form K: tapped bush, with cap
Form L: external thread

KIPP Star grips antistatic similar to DIN 6336, internal thread, Form K

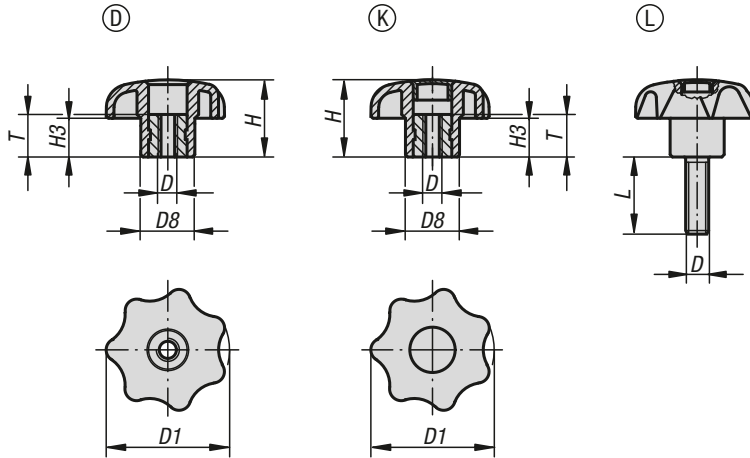
Order No.	Form	D	D1	D8	H	H3	T
K0155.1120824	K	M8	40	18	25	13	14

KIPP Star grips antistatic similar to DIN 6336, external thread, Form L

Order No.	Form	D	D1	D8	H	H3	L
K0155.11408124X25	L	M8	40	18	25	13	25

Star grips

similar to DIN 6336, metal parts stainless steel



Material:
Black thermoplastic.
Bush and screw stainless steel 1.4305.

Version:
Bush and screw bright.

Sample order:
K0154.4067X30
(cap colour colza yellow; include length L)

Note:
Δ Add the desired cap colour code here. No colour code is required for black caps.

On request:
Other colours or designs, such as company logo.

Drawing reference:
Form D: tapped bush without cap
Form K: tapped bush with cap
Form L: external thread



KIPP Star grips similar to DIN 6336, metal parts stainless steel, internal thread, without cap, Form D

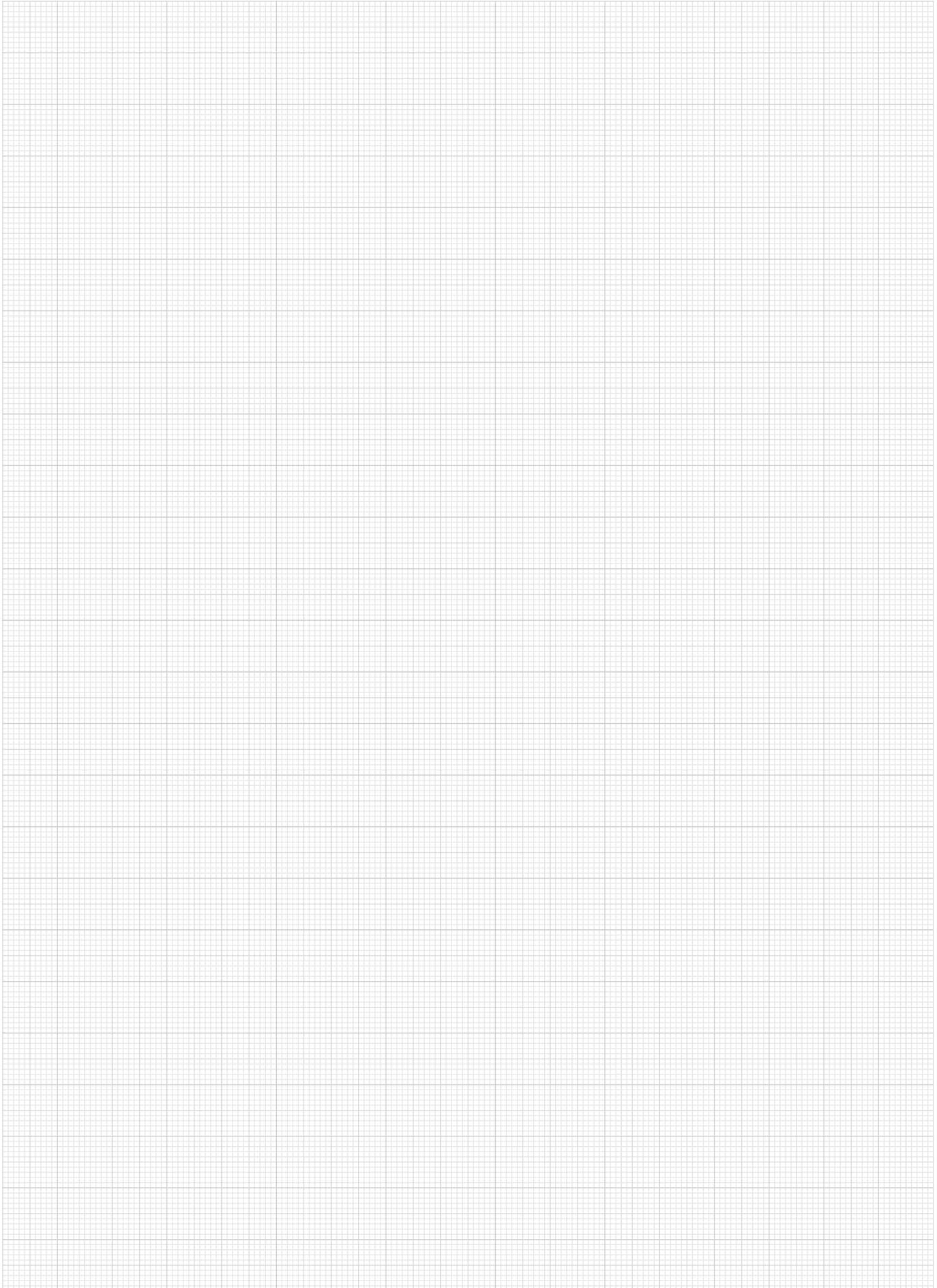
Order No.	Form	D	D1	D8	H	H3	T
K0154.505	D	M5	25	12	16	8	10
K0154.506	D	M6	32	14	20	10	10
K0154.508	D	M8	40	18	25	13	14
K0154.510	D	M10	50	22	32	17	14
K0154.512	D	M12	63	26	40	21	18

KIPP Star grips similar to DIN 6336, metal parts stainless steel, internal thread, with cap, Form K

Order No.	Form	D	D1	D8	H	H3	T
K0154.205Δ	K	M5	25	12	16	8	10
K0154.206Δ	K	M6	32	14	20	10	10
K0154.208Δ	K	M8	40	18	25	13	14
K0154.210Δ	K	M10	50	22	32	17	14
K0154.212Δ	K	M12	63	26	40	21	18

KIPP Star grips similar to DIN 6336 metal parts stainless steel, with external thread, Form L

Order No.	Form	D	D1	D8	H	H3	L
K0154.405ΔX	L	M5	25	12	16	8	15/20
K0154.406ΔX	L	M6	32	14	20	10	20/30
K0154.408ΔX	L	M8	40	18	25	13	15/20/25/30/40/60
K0154.410ΔX	L	M10	50	22	32	17	25/30/40/50/60



Star grips



Material:

Fibreglass reinforced thermoplastic.
Tapped bush brass.
Screw steel.

Version:

Grip, black.
Screw electro zinc-plated.

Sample order:

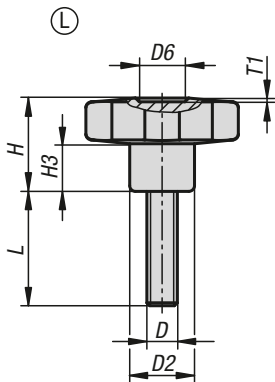
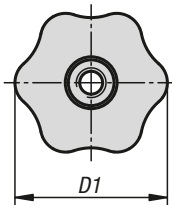
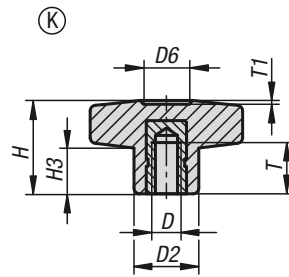
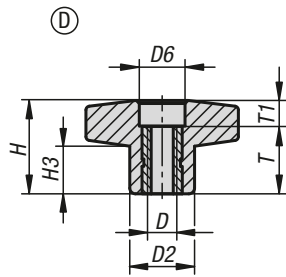
K1090.43006X16 (include length L)

Drawing reference:

Form D: tapped bush, without cap

Form K: tapped bush

Form L: external thread





KIPP Form D, tapped bush, without cap

Order No.	Form	D	D1	D2	D6	H	H3	T	T1
K1090.53005	D	M5	30	15	11	22	11	18	4
K1090.53006	D	M6	30	15	11	22	11	18	4
K1090.53008	D	M8	30	15	11	22	11	18	4
K1090.54006	D	M6	40	17	12,5	24,5	12,5	18	6
K1090.54008	D	M8	40	17	12,5	24,5	12,5	18	6
K1090.54010	D	M10	40	17	12,5	24,5	12,5	18	6
K1090.55008	D	M8	50	20	14	29	15,5	18	11
K1090.55010	D	M10	50	20	14	29	15,5	18	11
K1090.55012	D	M12	50	20	14	29	14	18	11
K1090.56010	D	M10	60	24	16,5	34	18	18	16
K1090.56012	D	M12	60	24	16,5	34	18	18	16

KIPP Form K, tapped bush

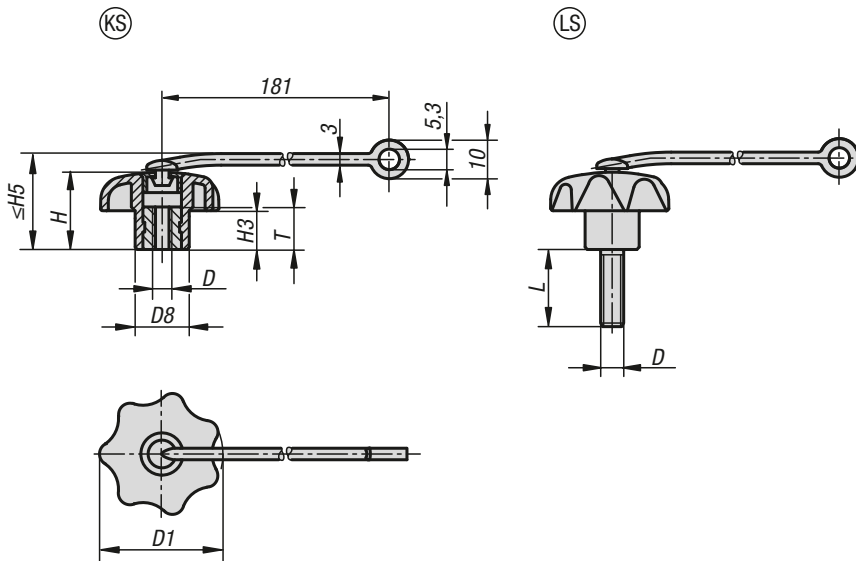
Order No.	Form	D	D1	D2	D6	H	H3	T	T1
K1090.23005	K	M5	30	15	9	22	11	14	1,5
K1090.23006	K	M6	30	15	9	22	11	10	1,5
K1090.24006	K	M6	40	17	12	24,5	12	16	1
K1090.24008	K	M8	40	17	12	24,5	12	14	1
K1090.24010	K	M10	40	17	12	24,5	12	14	1
K1090.25008	K	M8	50	20	14,5	29	15,5	14	1,5
K1090.25010	K	M10	50	20	14,5	29	15,5	14	1,5
K1090.25012	K	M12	50	20	14,5	29	15,5	18	1,5
K1090.26010	K	M10	60	24	18	34	18	21	1,5
K1090.26012	K	M12	60	24	18	34	18	18	1,5

KIPP Form L, external thread

Order No.	Form	D	D1	D2	D6	H	H3	T1	L
K1090.43006X	L	M6	30	15	9	22	11	1,5	16/20/30
K1090.43008X	L	M8	30	15	9	22	11	1,5	16/20/30/40
K1090.44006X	L	M6	40	17	12	24,5	12,5	1	16/20/30/40
K1090.44008X	L	M8	40	17	12	24,5	12,5	1	20/30/40/50
K1090.45008X	L	M8	50	20	14,5	29	15	1,5	20/30/40
K1090.45010X	L	M10	50	20	14,5	29	15	1,5	20/30/40/50
K1090.46010X	L	M10	60	24	18	34	18	1,5	20/30/40/50
K1090.46012X	L	M12	60	24	18	34	18	1,5	20/30/40/50

Star grips with safety cable

similar to DIN 6336



Material:

Grip thermoplastic.
Bush and screw steel.
Safety cable elastic TPU.

Version:

Bush and screw trivalent blue passivated.

Sample order:

K0155.7056X15
(cap colour traffic red; include length L)

Note:

Δ Add the desired cap colour code here. No colour code is required for black caps.

Attach the safety cable to a base to make the star grip unlosable. The star grip cannot be moved far from the object to which it belongs, simplifying screwing and unscrewing of the grip and ensuring against loss.

Assembly:

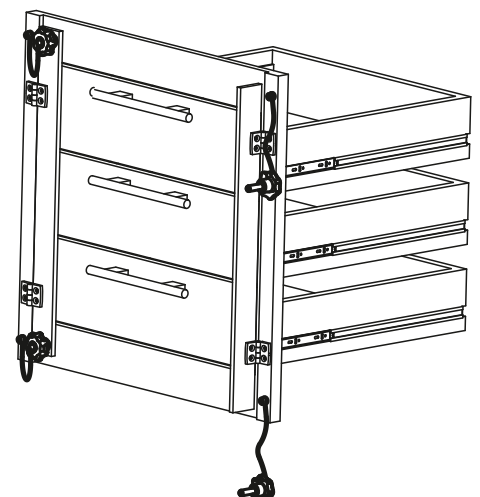
Do not stretch the band during assembly.
Make sure that the anchor is not too far from where the star grip is to be used.

Accessories:

The safety cable is also available as an accessory, see K0743.04190.

Drawing reference:

Form KS: tapped bush, with cap
Form LS: male thread



Star grips with safety cable

similar to DIN 6336



KIPP Star grips with safety cable, female thread, Form KS

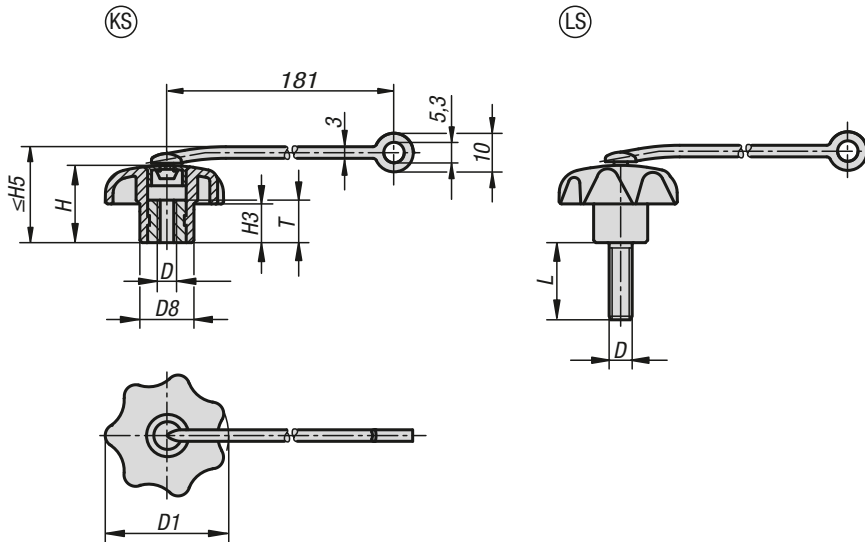
Order No.	Form	D	D1	D8	H	H3	H5 max.	T
K0155.604Δ	KS	M4	25	12	16	8	22	10
K0155.605Δ	KS	M5	25	12	16	8	22	10
K0155.6061Δ	KS	M6	25	12	16	8	22	10
K0155.6051Δ	KS	M5	32	14	20	10	26	10
K0155.606Δ	KS	M6	32	14	20	10	26	10
K0155.608Δ	KS	M8	40	18	25	13	31	14
K0155.6101Δ	KS	M10	40	18	25	13	31	14
K0155.6081Δ	KS	M8	50	22	32	17	38	14
K0155.610Δ	KS	M10	50	22	32	17	38	14
K0155.6121Δ	KS	M12	50	22	32	17	38	14
K0155.6102Δ	KS	M10	63	26	40	21	46	14
K0155.612Δ	KS	M12	63	26	40	21	46	14
K0155.616Δ	KS	M16	63	26	40	21	46	14

KIPP Star grips with safety cable, male thread, Form LS

Order No.	Form	D	D1	D8	H	H3	H5 max.	L
K0155.705ΔX	LS	M5	25	12	16	8	22	10/15/20/25/30/35/40/45/50/60
K0155.706ΔX	LS	M6	25	12	16	8	22	10/15/20/25/30/35/40/45/50/60
K0155.7061ΔX	LS	M6	32	14	20	10	26	10/15/20/25/30/35/40/45/50/60
K0155.708ΔX	LS	M8	32	14	20	10	26	15/20/25/30/35/40/45/50/60
K0155.7081ΔX	LS	M8	40	18	25	13	31	15/20/25/30/35/40/45/50/60
K0155.710ΔX	LS	M10	40	18	25	13	31	15/20/25/30/35/40/45/50/60
K0155.7101ΔX	LS	M10	50	22	32	17	38	15/20/25/30/35/40/45/50/60
K0155.712ΔX	LS	M12	50	22	32	17	38	15/20/25/30/35/40/45/50/60
K0155.7102ΔX	LS	M10	63	26	40	21	46	20/25/30/35/40/45/50/60
K0155.7121ΔX	LS	M12	63	26	40	21	46	20/25/30/35/40/45/50/60
K0155.716ΔX	LS	M16	63	26	40	21	46	30/35/40/45/50/60

Star grips with safety cable

similar to DIN 6336, metal parts stainless steel



Material:

Grip thermoplastic.
Bush and screw stainless steel 1.4305.
Safety cable elastic TPU.

Version:

Bush and screw bright.

Sample order:

K0154.7056X15
(cap colour traffic red; include length L)

Note:

Δ Add the desired cap colour code here. No colour code is required for black caps.

Attach the safety cable to a base to make the star grip unlosable.

The star grip cannot be moved far from the object to which it belongs, simplifying screwing and unscrewing of the grip and ensuring against loss.

Assembly:

Do not stretch the band during assembly.
Make sure that the anchor is not too far from where the star grip is to be used.

Accessories:

The safety cable is also available as an accessory, see K0743.04190.

Drawing reference:

Form KS: tapped bush, with cap
Form LS: male thread



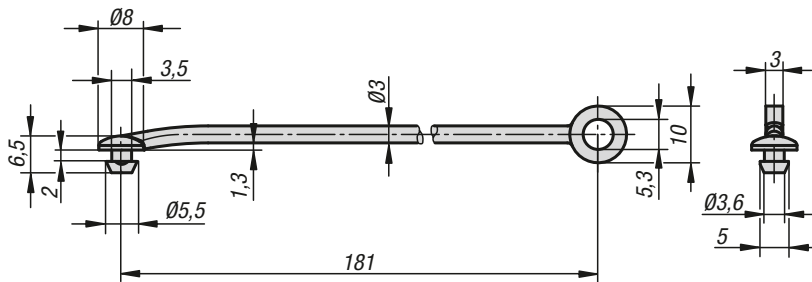
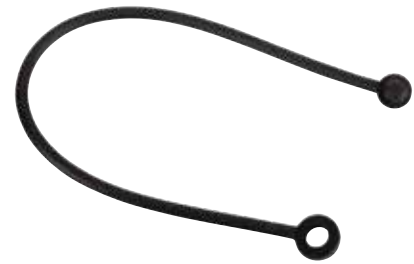
KIPP Star grips with safety cable, metal parts stainless steel, internal thread, Form KS

Order No.	Form	D	D1	D8	H	H3	H5 max.	T
K0154.605 Δ	KS	M5	25	12	16	8	22	10
K0154.606 Δ	KS	M6	32	14	20	10	26	10
K0154.608 Δ	KS	M8	40	18	25	13	31	14
K0154.610 Δ	KS	M10	50	22	32	17	38	14
K0154.612 Δ	KS	M12	63	26	40	21	46	18

KIPP Star grips with safety cable, metal parts stainless steel, external thread, Form LS

Order No.	Form	D	D1	D8	H	H3	H5 max.	L
K0154.705 Δ X	LS	M5	25	12	16	8	22	15/20
K0154.706 Δ X	LS	M6	32	14	20	10	26	20/30
K0154.708 Δ X	LS	M8	40	18	25	13	31	15/20/25/30/40/60
K0154.710 Δ X	LS	M10	50	22	32	17	38	25/30/40/50/60

Safety cable

**Material:**

Thermoplastic urethane TPU.

Sample order:

K0743.04190

Note:

This safety cable has a high breaking strain and good elasticity.

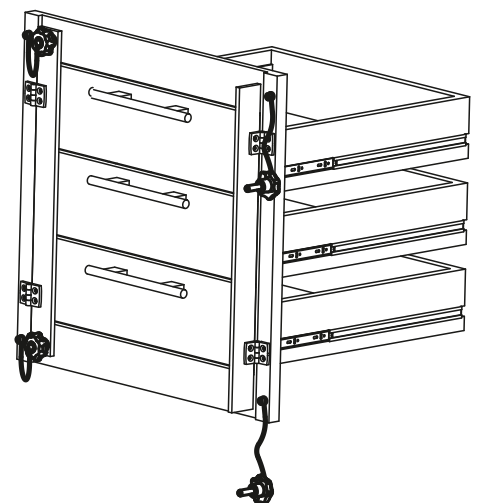
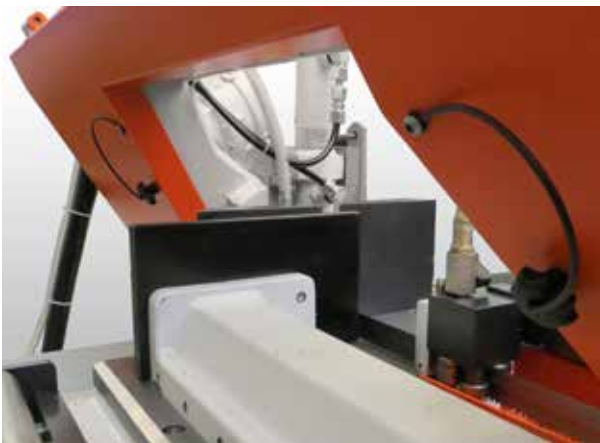
It was especially conceived for the star grips K0154, K0155 to make them unlosable operating parts. Star grips K0154, K0155 and the knurled knobs K0260/K0261 and K0247 from our range can be retrofitted with this lanyard.

Assembly:

Recommended hole $\varnothing 3.8_{-0.1}$. The hole edge should be deburred. A Teflon based lubrication is recommended to aid assembly.

On request:

Can be combined with other products.

**KIPP Safety cable**

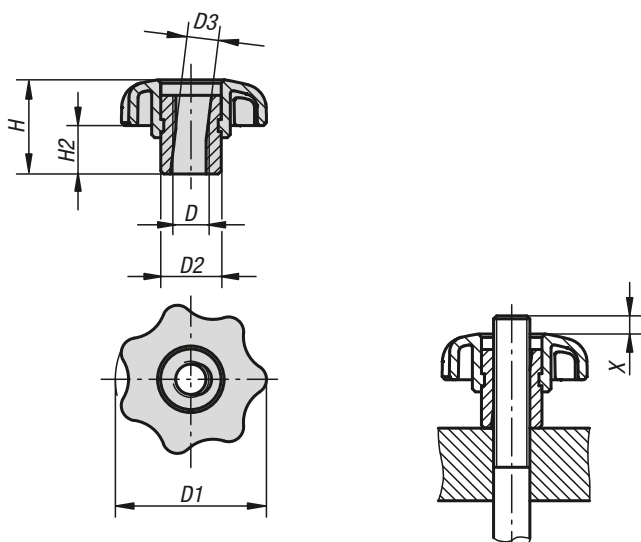
Order No.

Dimensions

K0743.04190

see drawing

Star grips quick-acting



Material:

Black thermoplastic.
Bush steel.

Version:

Bush trivalent blue passivated

Sample order:

K0156.06

Note:

Quick-acting star grips can be used on all fixtures that do not require a high clamping force. Tilt the grip to slide on, then straighten it to engage the threads.

Drawing reference:

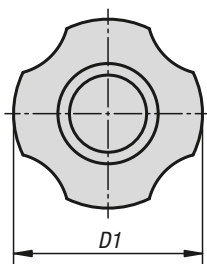
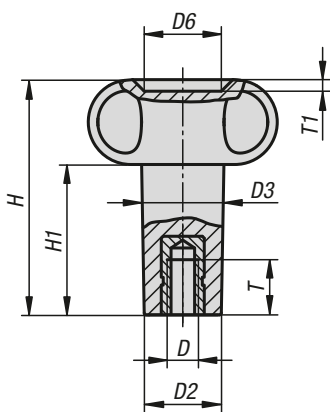
X: The stud should be several mm longer than height "H"

KIPP Star grips quick-acting

Order No.	D	D1	D2	D3	H	H2
K0156.05	M5	25	10	5,2	16,6	9
K0156.06	M6	32	13,5	6,2	20,6	11
K0156.08	M8	40	13,5	8,3	24,5	13
K0156.10	M10	50	19	10,3	31,2	17
K0156.12	M12	63	19	12,7	39,3	21

Star grips

with extended hub



Material:

Fibreglass reinforced thermoplastic.
Tapped bush brass.

Version:

black.

Sample order:

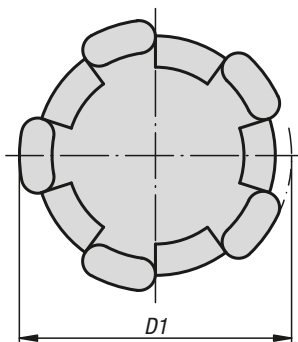
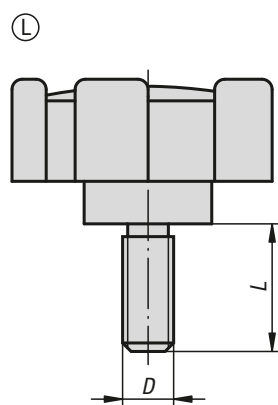
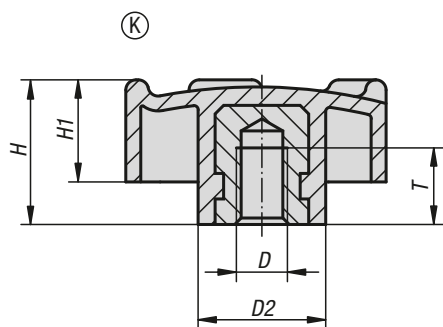
K1088.2410685



KIPP Star grips with extended hub

Order No.	D	D1	D2	D3	D6	H	H1	T	T1
K1088.2410685	M6	41	14,8	15,5	12	85	66	18	3
K1088.2520861	M8	52	17,5	19	14	61	39	15	2,5
K1088.2521071	M10	52	18	20,5	14	71	49	15	2,5

Five lobe grips



Material:

Grip black grey thermoplastic.
 Bush steel or brass.
 Screw 5.8 steel.

Version:

Steel bush electro zinc-plated.
 Screw trivalent blue passivated.

Sample order:

K0276.3206

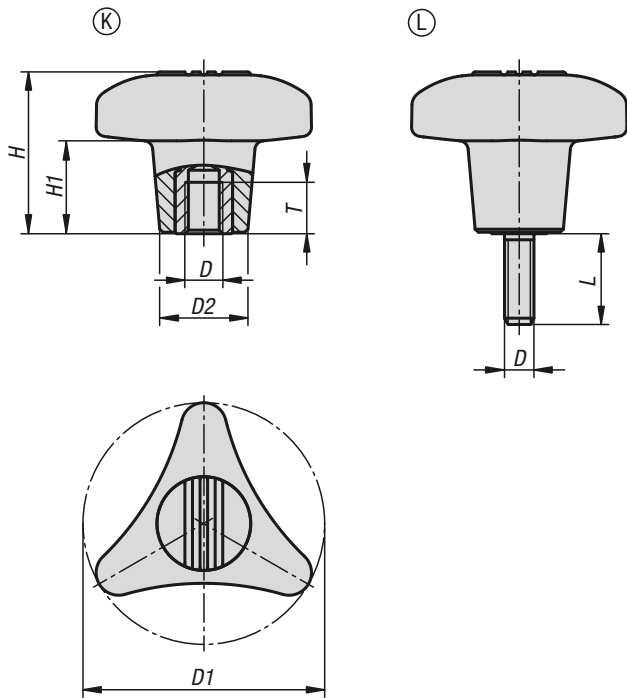
KIPP Five lobe grips with internal thread

Order No.	Form	D	D1	D2	H	H1	T
K0276.3206	K	M6	32	15	17	12	9
K0276.4008	K	M8	40	18	20,5	14,5	11
K0276.5010	K	M10	50	20	25	18	14

KIPP Five lobe grips with external thread

Order No.	Form	D	D1	D2	H	H1	L
K0276.320615	L	M6	32	15	17	12	15
K0276.400816	L	M8	40	18	20,5	14,5	16
K0276.501020	L	M10	50	20	25	18	20

Triangular grips



Material:

Grip glass-bead reinforced thermoplastic.
Cap thermoplastic.
Steel parts grade 5.8.

Version:

Grip and cap black grey (RAL 7021).
Steel parts blue-passivated.

Sample order:

K1020.18010X15 (include length L)

On request:

Other screw lengths and colours.
Metal parts stainless steel.

KIPP Triangular grips, internal thread

Order No.	Form	D	D1	D2	H	H1	T
K1020.18008	K	M8	80	29,2	53,5	31	17
K1020.18010	K	M10	80	29,2	53,5	31	17
K1020.18012	K	M12	80	29,2	53,5	31	17

KIPP Triangular grips, external thread

Order No.	Form	D	D1	D2	H	H1	L
K1020.18008X	L	M8	80	29,2	53,5	31	15/20/30/40/50
K1020.18010X	L	M10	80	29,2	53,5	31	15/20/30/40/50
K1020.18012X	L	M12	80	29,2	53,5	31	15/20/30/40/50

Triangular grips

with high collar



Material:

Black thermoset PF 31.

Bush and screw electro zinc-plated steel or bright stainless steel.

Version:

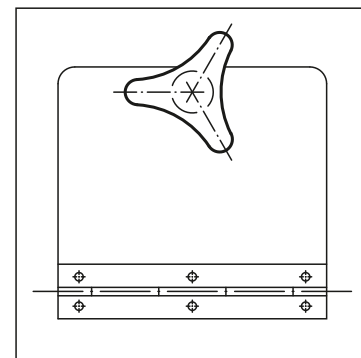
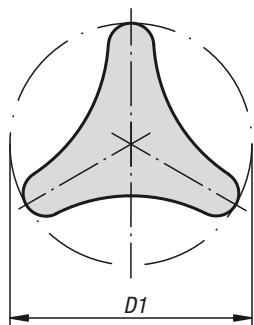
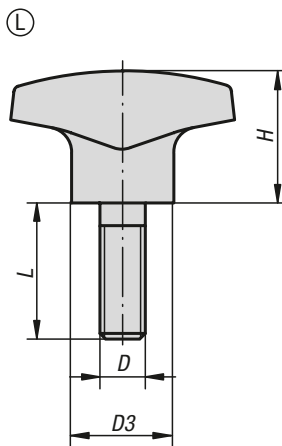
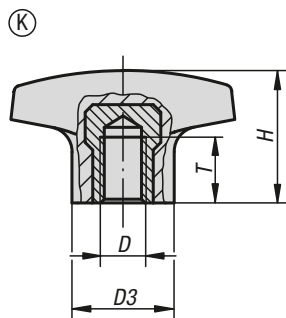
High-gloss polished.

Sample order:

K0183.14008X20

On request:

Other screw sizes, screw lengths and colours.



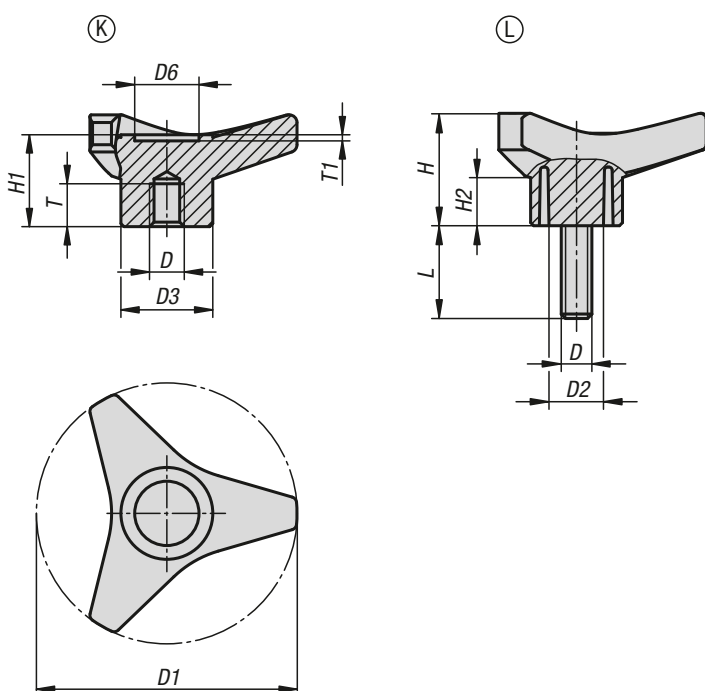
KIPP Triangular grips with high collar, internal thread

Order No.	Form	Component material	D	D1	D3	H	T
K0183.14006	K	steel	M6	40	14	22	12
K0183.15008	K	steel	M8	50	18	28	14
K0183.16210	K	steel	M10	62	22	35	14
K0183.24006	K	stainless steel	M6	40	12	22	9
K0183.25008	K	stainless steel	M8	50	15	28	13
K0183.26210	K	stainless steel	M10	62	18	35	13

KIPP Triangular grips with high collar, external thread

Order No.	Form	Component material	D	D1	D3	H	L
K0183.14006X15	L	steel	M6	40	14	22	15
K0183.14008X20	L	steel	M8	40	14	22	20
K0183.15008X20	L	steel	M8	50	18	28	20
K0183.15010X25	L	steel	M10	50	22	28	25
K0183.16210X25	L	steel	M10	62	22	35	25
K0183.24006X20	L	stainless steel	M6	40	12	22	20
K0183.24008X20	L	stainless steel	M8	40	12	22	20
K0183.25008X20	L	stainless steel	M8	50	15	28	20
K0183.25010X30	L	stainless steel	M10	50	15	28	30
K0183.26210X30	L	stainless steel	M10	62	18	35	30

Triangular grips



Material:

Fibreglass reinforced thermoplastic.
Tapped bush brass.
Screw steel.

Version:

Grip, black.
Screw electro zinc-plated.

Sample order:

K1083.48510X20

KIPP Triangular grips with internal thread

Order No.	Form	D	D1	D3	D6	H	H1	H2	T	T1
K1083.24506	K	M6	45	16	11	21	18	10	9	1
K1083.26508	K	M8	65	22	15,5	28	23,5	11,5	11	1,5
K1083.26510	K	M10	65	22	15,5	28	23,5	11,5	11	1,5
K1083.28510	K	M10	85	30	21	37	30,5	16	14	2
K1083.28512	K	M12	85	30	21	37	30,5	16	19	2
K1083.210512	K	M12	105	35	25	46	37,5	19	17	2
K1083.210514	K	M14	105	35	25	46	37,5	19	19	2

KIPP Triangular grips with external thread

Order No.	Form	D	D1	D2	D3	D6	H	H1	H2	L	T1
K1083.48508X20	L	M8	85	18	30	21	37	30,5	16	20	2
K1083.48508X30	L	M8	85	18	30	21	37	30,5	16	30	2
K1083.48510X20	L	M10	85	18	30	21	37	30,5	16	20	2
K1083.48510X30	L	M10	85	18	30	21	37	30,5	16	30	2
K1083.48512X20	L	M12	85	18	30	21	37	30,5	16	20	2
K1083.48512X40	L	M12	85	18	30	21	37	30,5	16	40	2
K1083.410512X30	L	M12	105	20	35	25	46	37,5	19	30	2
K1083.410512X50	L	M12	105	20	35	25	46	37,5	19	50	2

Triangular grips ergonomic



Material:

Hard components fibreglass reinforced plastic.
Soft components thermoplastic elastomer.
Bush or screw, steel grade 5.8 or stainless steel 1.4305.

Version:

Steel trivalent blue passivated.
Stainless steel, bright.

Sample order:

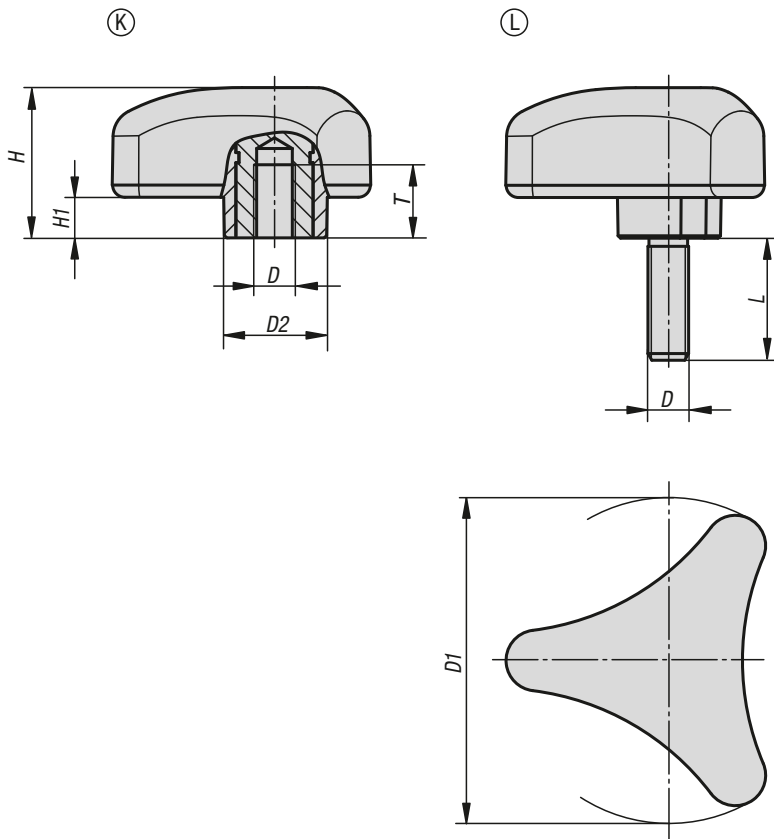
K0785.8008X20

Note:

The colour combination
black grey RAL 7021 (hard components) and
black grey RAL 7021 (soft components)
are supplied as standard.

On request:

Other versions.



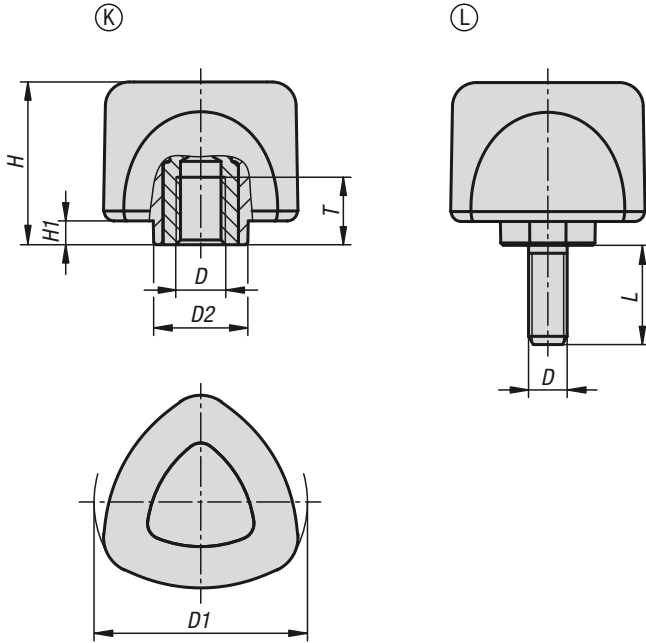
KIPP Triangular grips ergonomic with internal thread

Order No.	Form	Component material	D	D1	D2	H	H1	T
K0785.8008	K	steel	M8	80	26	37	10	17
K0785.8010	K	steel	M10	80	26	37	10	17
K0785.8012	K	steel	M12	80	26	37	10	17
K0785.08008	K	stainless steel	M8	80	26	37	10	17
K0785.08010	K	stainless steel	M10	80	26	37	10	17
K0785.08012	K	stainless steel	M12	80	26	37	10	17

KIPP Triangular grips ergonomic with external thread

Order No.	Form	Component material	D	D1	D2	H	H1	L
K0785.8008X	L	steel	M8	80	26	37	10	20/25/30/40
K0785.8010X	L	steel	M10	80	26	37	10	30/40/50
K0785.8012X	L	steel	M12	80	26	37	10	30/40/50/60
K0785.08008X	L	stainless steel	M8	80	26	37	10	20/25/30/40
K0785.08010X	L	stainless steel	M10	80	26	37	10	30/40/50
K0785.08012X	L	stainless steel	M12	80	26	37	10	30/40/50/60

Triangular grips 2K ergonomic



Material:

Hard components fibreglass reinforced plastic.
Soft components thermoplastic elastomer.
Bush or screw, steel grade 5.8 or stainless steel 1.4305.

Version:

Steel trivalent blue passivated.
Stainless steel, bright.

Sample order:

K0980.5008X20

Note:

The colour combinations graphite black RAL 9011 (hard components) and black grey RAL 7021 (soft components) are supplied as standard.

The soft components ensure a non-slip grip of the operating part. The closed design offers sufficient protection against dirt.

On request:

Further colour combinations.

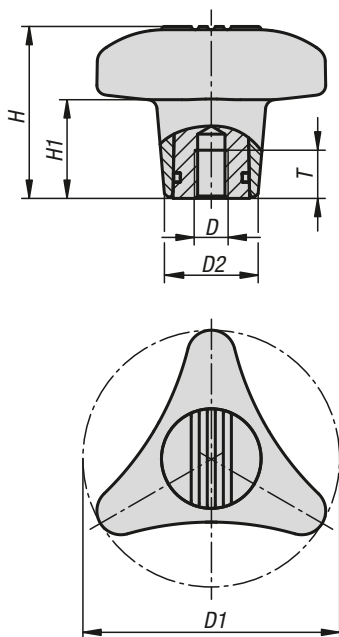
KIPP Internal thread

Order No.	Form	Component material	D	D1	D2	H	H1	T
K0980.5008	K	steel	M8	53,8	23,9	41	6	17
K0980.5010	K	steel	M10	53,8	23,9	41	6	17
K0980.6308	K	steel	M8	67,7	23,9	36	6	17
K0980.6310	K	steel	M10	67,7	23,9	36	6	17
K0980.05008	K	stainless steel	M8	53,8	23,9	41	6	17
K0980.05010	K	stainless steel	M10	53,8	23,9	41	6	17
K0980.06308	K	stainless steel	M8	67,7	23,9	36	6	17
K0980.06310	K	stainless steel	M10	67,7	23,9	36	6	17

KIPP External thread

Order No.	Form	Component material	D	D1	D2	H	H1	L
K0980.5008X	L	steel	M8	53,8	23,9	41	6	20/25/30/40
K0980.5010X	L	steel	M10	53,8	23,9	41	6	20/25/30/40
K0980.6308X	L	steel	M8	67,7	23,9	36	6	20/25/30/40
K0980.6310X	L	steel	M10	67,7	23,9	36	6	20/25/30/40
K0980.05008X	L	stainless steel	M8	53,8	23,9	41	6	20/25/30/40
K0980.05010X	L	stainless steel	M10	53,8	23,9	41	6	20/25/30/40
K0980.06308X	L	stainless steel	M8	67,7	23,9	36	6	20/25/30/40
K0980.06310X	L	stainless steel	M10	67,7	23,9	36	6	20/25/30/40

Triangular torque grips



Material:

Grip glass-bead reinforced thermoplastic.
Cap thermoplastic.
Metal parts hardened stainless steel.

Version:

Grip and cap, black grey (RAL 7021).
Stainless steel parts, electropolished.

Sample order:

K1019.180105

Note:

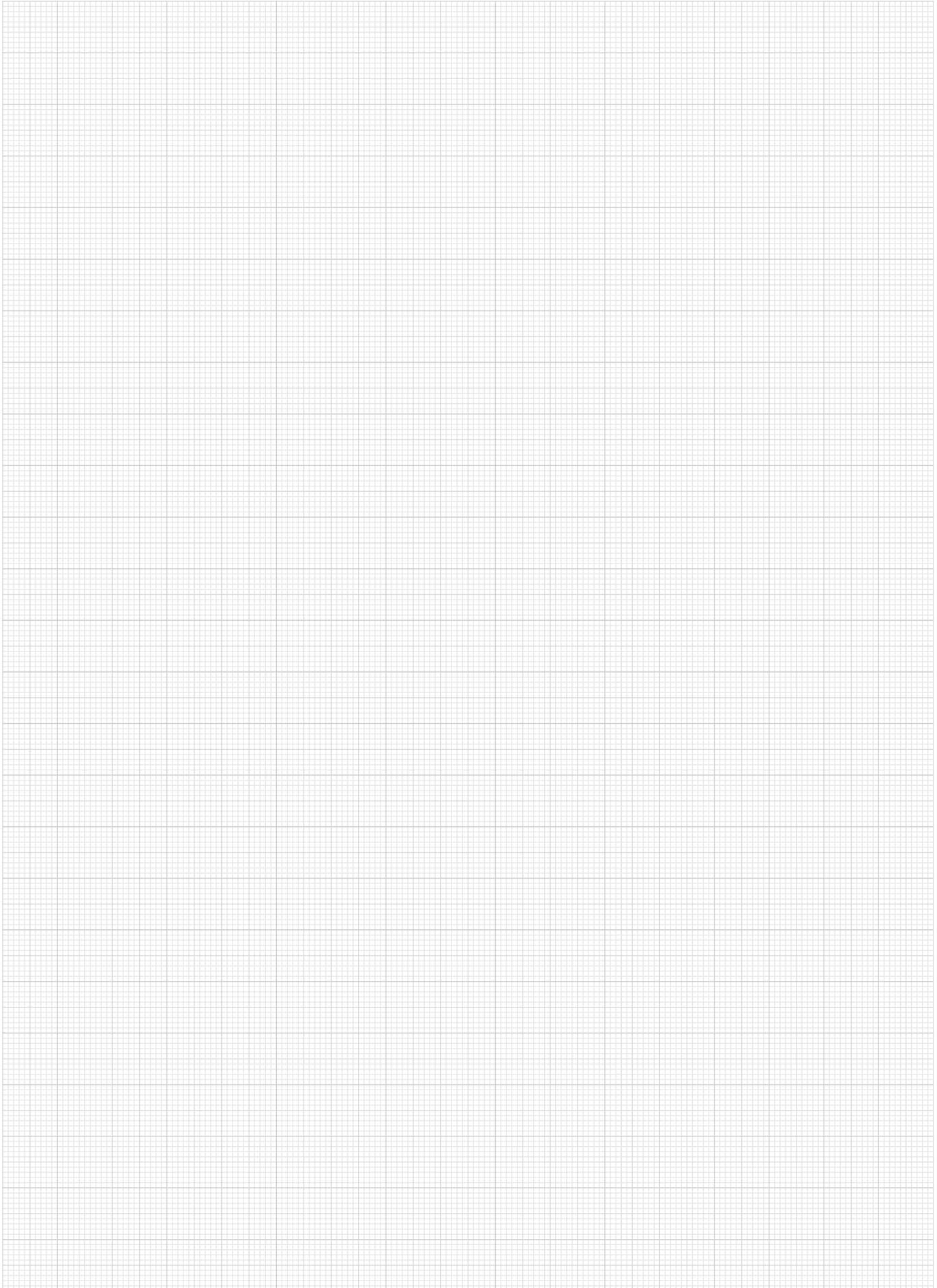
An audible click signals when the maximum torque has been reached. The grip can only be tightened with the maximum torque specified in the table.

On request:

Other internal threads, maximum torques and colours.

KIPP Triangular torque grips

Order No.	D	D1	D2	H	H1	T	Torque Nm
K1019.180085	M8	80	29,2	53,5	31	13	5
K1019.180105	M10	80	29,2	53,5	31	13	5
K1019.180125	M12	80	29,2	53,5	31	13	5



Four lobe grips flat



Extraordinary gripping safety combined with attractive design are key elements to outstanding functionality. The flat construction make these four lobe grips suitable for low working spaces.

Material, version:

Grip hard black thermoplastic.
 Coating, soft thermoplastic, black.
 Female thread electro zinc-plated brass.
 Screw grade 5.8 electro zinc-plated steel

Sample order:

K0278.3506X20 (include length L)

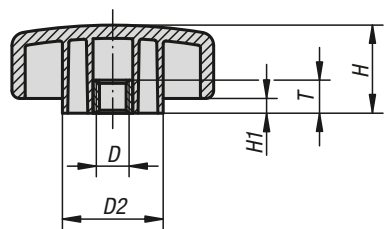
Note:

SYMPA TOUCH flat four lobe grips are available in 5 sizes of internal and external threads.

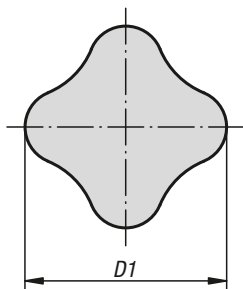
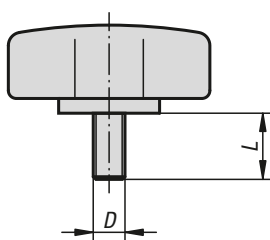
On request:

Other screw sizes, screw lengths, versions and colours.

(K)



(L)



Four lobe grips flat



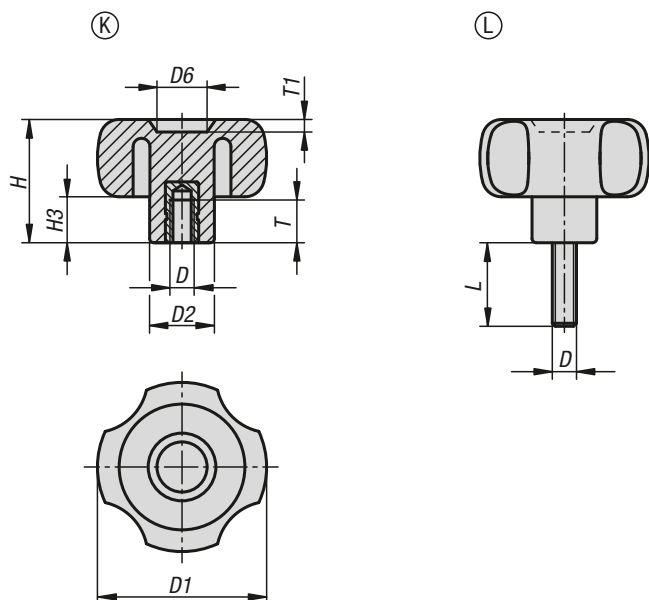
KIPP Four lobe grips, flat, with internal thread

Order No.	Form	D	D1	D2	H	H1	T
K0278.3505	K	M5	35,5	14,2	15,5	2,8	12,5
K0278.3506	K	M6	35,5	14,2	15,5	2,8	12,5
K0278.4405	K	M5	44,5	17,5	19,3	3,3	12,5
K0278.4406	K	M6	44,5	17,5	19,3	3,3	12,5
K0278.4408	K	M8	44,5	17,5	19,3	3,3	12,5
K0278.4410	K	M10	44,5	17,5	19,3	3,3	12,5
K0278.5005	K	M5	50,8	23,6	22,1	3,8	12,5
K0278.5006	K	M6	50,8	23,6	22,1	3,8	12,5
K0278.5008	K	M8	50,8	23,6	22,1	3,8	12,5
K0278.5010	K	M10	50,8	23,6	22,1	3,8	12,5
K0278.6306	K	M6	63,5	31,7	27,7	4,6	12,5
K0278.6308	K	M8	63,5	31,7	27,7	4,6	12,5
K0278.6310	K	M10	63,5	31,7	27,7	4,6	12,5
K0278.6312	K	M12	63,5	31,7	27,7	4,6	12,5
K0278.7608	K	M8	76,2	38,1	33,3	5,6	12,5
K0278.7610	K	M10	76,2	38,1	33,3	5,6	12,5
K0278.7612	K	M12	76,2	38,1	33,3	5,6	12,5

KIPP Flat four lobe grips, flat, with external thread

Order No.	Form	D	D1	D2	H	H1	L
K0278.3506X	L	M6	35,5	14,2	15,5	2,8	15/20/25/35
K0278.4406X	L	M6	44,5	17,5	19,3	3,3	15/20/25/35
K0278.4408X	L	M8	44,5	17,5	19,3	3,3	16/25/35
K0278.4410X	L	M10	44,5	17,5	19,3	3,3	20/30/40/50
K0278.5006X	L	M6	50,8	23,6	22,1	3,8	15/20/25/35
K0278.5008X	L	M8	50,8	23,6	22,1	3,8	16/25/35
K0278.5010X	L	M10	50,8	23,6	22,1	3,8	30/40/50
K0278.6306X	L	M6	63,5	31,7	27,7	4,6	15/20/25/35
K0278.6308X	L	M8	63,5	31,7	27,7	4,6	16/25/35
K0278.6310X	L	M10	63,5	31,7	27,7	4,6	30/40/50
K0278.7608X	L	M8	76,2	38,1	33,3	5,6	16/25/35
K0278.7610X	L	M10	76,2	38,1	33,3	5,6	30/40/50

Four lobe grips



Material:

Fibreglass reinforced thermoplastic.

Tapped bush brass.

Screw steel.

Version:

Grip, black.

Screw electro zinc-plated.

Sample order:

K1093.43006X20 (include length L)

KIPP Four lobe grips with internal thread

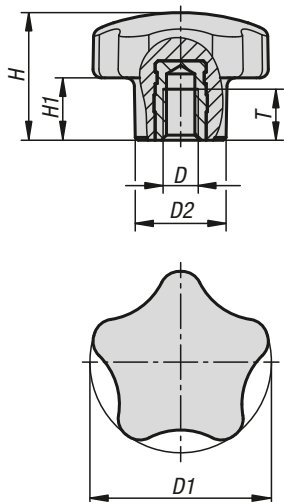
Order No.	Form	D	D1	D2	D6	H	H3	T	T1
K1093.23006	K	M6	30	15	12	23	9,5	10	2
K1093.24006	K	M6	40,5	15,5	12	29,5	11	10	3
K1093.24008	K	M8	40,5	15	12	27,5	11	14	3
K1093.25208	K	M8	50	20,5	14,5	32,5	11	14	2,5
K1093.25210	K	M10	50	20,5	14,5	32,5	11	13	2,5
K1093.26010	K	M10	59	23	24	40	15	14	4
K1093.26012	K	M12	59	23	24	40	15	18	4

KIPP Four lobe grips with external thread

Order No.	Form	D	D1	D2	D6	H	H3	T1	L
K1093.43006X	L	M6	30	15	12	23	9,5	2	16/20/30/40/50
K1093.44006X	L	M6	40,5	15,5	12	29,5	11	3	16/20
K1093.44008X	L	M8	40,5	15	12	29,5	11	3	20/30/40
K1093.45208X	L	M8	50	20,5	14,5	32,5	11	2,5	16/20/30/40/50
K1093.46010X	L	M10	59	23	24	40	15	4	20/30/40/50
K1093.46012X	L	M12	59	23	24	40	15	4	50
K1093.48010X	L	M10	79	30	21	41	17	3	30/50
K1093.48012X	L	M12	79	30	21	41	17	3	50

Five lobe grips

with internal thread



Material:

Thermoset PF 31.
Steel or stainless steel.

Version:

Thermoset black, high-gloss polished.
Trivalent blue passivated steel or bright stainless steel.

Sample order:

K1297.3205

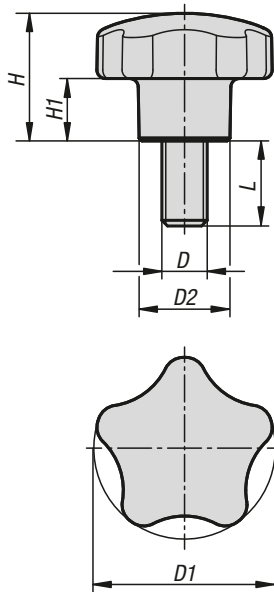


KIPP Five lobe grips with internal thread

Order No. steel	Order No. stainless steel	D	D1	D2	H	H1	T
K1297.3205	K1297.13205	M5	32	16	22,5	11	7,5
K1297.3206	K1297.13206	M6	32	16	22,5	11	9
K1297.4006	K1297.14006	M6	40	20	28	14	9
K1297.4008	K1297.14008	M8	40	20	28	14	12
K1297.4010	K1297.14010	M10	40	20	28	14	15
K1297.5008	K1297.15008	M8	50	25	35	17,5	12
K1297.5010	K1297.15010	M10	50	25	35	17,5	15
K1297.6012	K1297.16012	M12	60	30	37	18,5	18

Five lobe grips

with external thread



Material:

Thermoset PF 31.
Steel or stainless steel.

Version:

Thermoset black, high-gloss polished.
Trivalent blue passivated steel or bright stainless steel.

Sample order:

K1298.3206X10 (include length L)

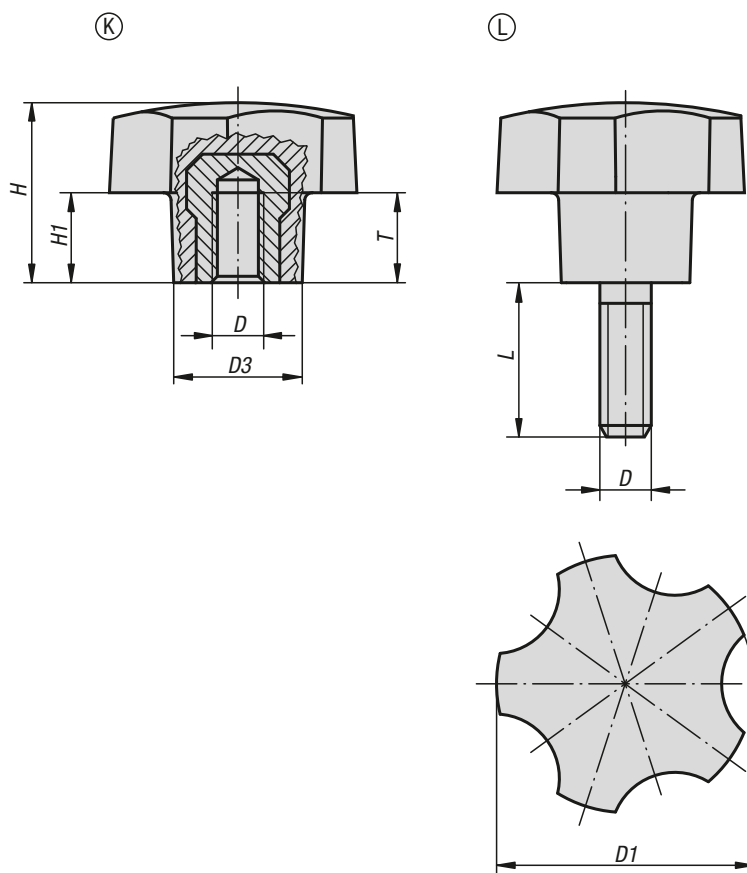
On request:

Other screw lengths.

KIPP Five lobe grips with external thread

Order No. steel	Order No. stainless steel	D	D1	D2	H	H1	L
K1298.3206X	K1298.13206X	M6	32	16	22,5	11	10/15/20/35
K1298.3208X	K1298.13208X	M8	32	16	22,5	11	15/25
K1298.4006X	K1298.14006X	M6	40	20	28	14	15
K1298.4008X	K1298.14008X	M8	40	20	28	14	15/20/25/30/35/45
K1298.4010X	K1298.14010X	M10	40	20	28	14	30
K1298.5008X	K1298.15008X	M8	50	25	35	17,5	15/25
K1298.5010X	K1298.15010X	M10	50	25	35	17,5	20/30/40/50
K1298.6012X	K1298.16012X	M12	60	30	37	18,5	30/40/50

Five lobe grips



Material:
Thermoset PF 31, black.
Steel bush and stud, electro zinc-plated.

Version:
High-gloss polished.

Sample order:
K0185.3206X12 (include length L)

Note:
The versions K0185.3205 and K0185.3206 have a brass bush.

On request:
Other screw sizes, screw lengths and colours.

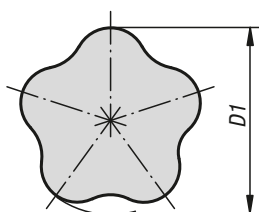
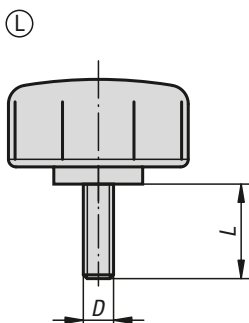
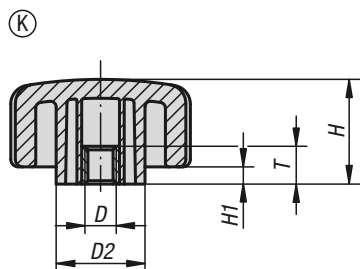
KIPP Five lobe grips with internal thread

Order No.	Form	D	D1	D3	H	H1	T
K0185.3205	K	M5	32	16	22,4	11,2	10
K0185.3206	K	M6	32	16	22,4	11,2	9
K0185.4006	K	M6	40	20	28	14	12
K0185.4008	K	M8	40	20	28	14	14
K0185.4010	K	M10	40	20	28	14	14
K0185.5008	K	M8	50	25	35	17,5	14
K0185.5010	K	M10	50	25	35	17,5	14

KIPP Five lobe grips with external thread

Order No.	Form	D	D1	D3	H	H1	L
K0185.3206X	L	M6	32	16	22,4	11,2	12/18
K0185.3208X	L	M8	32	16	22,4	11,2	16/24
K0185.4006X	L	M6	40	20	28	14	18
K0185.4008X	L	M8	40	20	28	14	16/20/24
K0185.4010X	L	M10	40	20	28	14	30
K0185.5008X	L	M8	50	25	35	17,5	16/24
K0185.5010X	L	M10	50	25	35	17,5	20/30

Five lobe grips



The material and form lend this grip a natural and secure gripping effect.

Material, version:

Grip black hard thermoplastic.
Coating black soft thermoplastic.
Tapped bush brass.
Screw electro zinc-plated steel grade 5.8.

Sample order:

K0279.4006X20 (include length L)

Note:

SYMPA TOUCH five lobe grips are available in 3 sizes with internal and external threads.

On request:

Other screw sizes, screw lengths, versions and colours.

KIPP Five lobe grips with internal thread

Order No.	Form	D	D1	D2	H	H1	T
K0279.4005	K	M5	40	19	27,7	4,6	12,5
K0279.4006	K	M6	40	19	27,7	4,6	12,5
K0279.4008	K	M8	40	19	27,7	4,6	12,5
K0279.4010	K	M10	40	19	27,7	4,6	12,5
K0279.5006	K	M6	50	23,5	27,7	4,6	12,5
K0279.5008	K	M8	50	23,5	27,7	4,6	12,5
K0279.5010	K	M10	50	23,5	27,7	4,6	12,5
K0279.6006	K	M6	60	31,8	27,7	4,6	12,5
K0279.6008	K	M8	60	31,8	27,7	4,6	12,5
K0279.6010	K	M10	60	31,8	27,7	4,6	12,5

KIPP Five lobe grips with external thread

Order No.	Form	D	D1	D2	H	H1	L
K0279.4006X	L	M6	40	19	27,7	4,6	15/20/25/35
K0279.4008X	L	M8	40	19	27,7	4,6	16/25/35
K0279.4010X	L	M10	40	19	27,7	4,6	20/30/40/50
K0279.5006X	L	M6	50	23,5	27,7	4,6	15/20/25/35
K0279.5008X	L	M8	50	23,5	27,7	4,6	16/25/35
K0279.5010X	L	M10	50	23,5	27,7	4,6	30/40/50
K0279.6006X	L	M6	60	31,8	27,7	4,6	15/20/25/35
K0279.6008X	L	M8	60	31,8	27,7	4,6	16/25/35
K0279.6010X	L	M10	60	31,8	27,7	4,6	20/30/40/50

Five lobe grips ergonomic



Material:

Hard components fibreglass reinforced plastic.
Soft components thermoplastic elastomer.
Bush or screw, steel grade 5.8 or stainless steel 1.4305.

Version:

Steel trivalent blue passivated.
Stainless steel, bright.

Sample order:

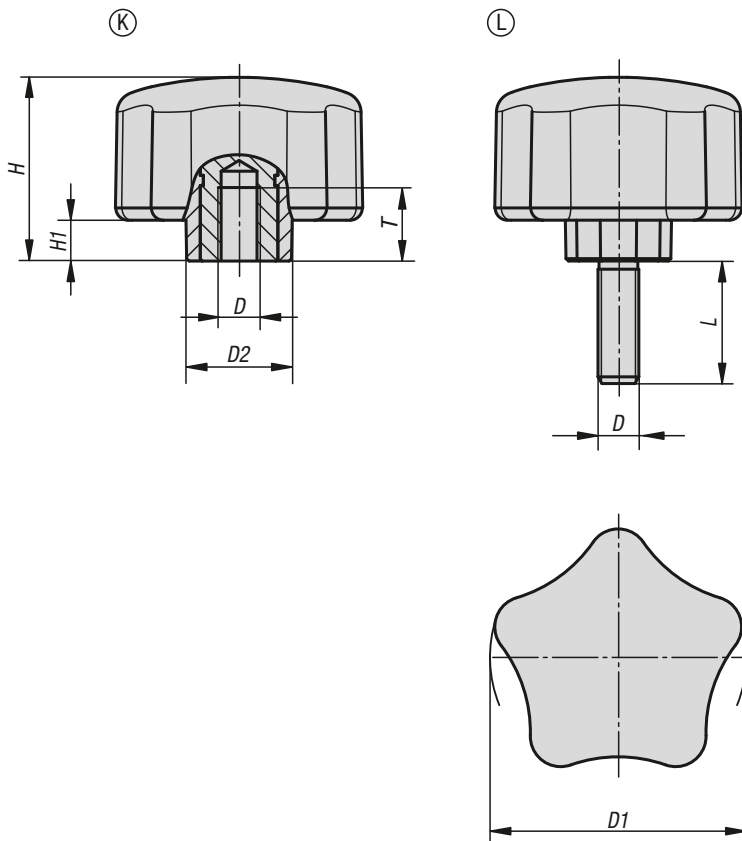
K0786.6308X20

Note:

The colour combination black grey RAL 7021 (hard components) and black grey RAL 7021 (soft components) are supplied as standard.

On request:

Other versions.



KIPP Five lobe grips ergonomic with internal thread

Order No.	Form	Component material	D	D1	D2	H	H1	T
K0786.6308	K	steel	M8	63	26	45	10	17
K0786.6310	K	steel	M10	63	26	45	10	17
K0786.06308	K	stainless steel	M8	63	26	45	10	17
K0786.06310	K	stainless steel	M10	63	26	45	10	17

KIPP Five lobe grips ergonomic with external thread

Order No.	Form	Component material	D	D1	D2	H	H1	L
K0786.6308X	L	steel	M8	63	26	45	10	20/25/30/40
K0786.6310X	L	steel	M10	63	26	45	10	30/40/50
K0786.06308X	L	stainless steel	M8	63	26	45	10	20/25/30/40
K0786.06310X	L	stainless steel	M10	63	26	45	10	30/40/50

Five lobe grips

plastic, lockable



Material:

Grip thermoplastic.
Bush and threaded pin steel grade 5.8 or stainless steel 1.4305.

Version:

Grip black grey RAL 7021 or red similar to RAL 3020.
Steel parts trivalent blue passivated.
Stainless steel bright.

Sample order:

K1378.6810X20

Note:

Lockable five lobe grips prevent unauthorised loosening of the screw connection.
The cylinder lock forms a positive lock between grip and screw.
When unlocked the grip rotates freely without driving the screw, preventing unauthorised opening of the screw connection.

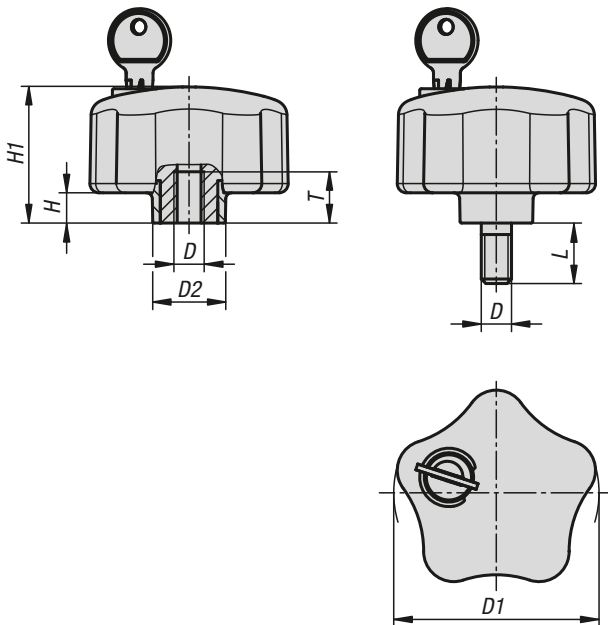
The lockable five lobe grips are supplied with 2 keys each.

The key can be removed in the open and closed position.

The locks are a single-key system, i.e. the same key works in all locks.

On request:

Other versions.



KIPP Five lobe grips, plastic, lockable, with female thread

Order No. steel	Order No. stainless steel	Main colour	D	D1	D2	H	H1	T
K1378.6806	K1378.06806	black grey	M6	68	24	10	45,5	17
K1378.6808	K1378.06808	black grey	M8	68	24	10	45,5	17
K1378.6810	K1378.06810	black grey	M10	68	24	10	45,5	17
K1378.846806	K1378.0846806	red	M6	68	24	10	45,5	17
K1378.846808	K1378.0846808	red	M8	68	24	10	45,5	17
K1378.846810	K1378.0846810	red	M10	68	24	10	45,5	17

KIPP Five lobe grips, plastic, lockable, with male thread

Order No. steel	Order No. stainless steel	Main colour	D	D1	D2	H	H1	L
K1378.6808X20	K1378.06808X20	black grey	M8	68	24	10	45,5	20
K1378.6810X20	K1378.06810X20	black grey	M10	68	24	10	45,5	20
K1378.846808X20	K1378.0846808X20	red	M8	68	24	10	45,5	20
K1378.846810X20	K1378.0846810X20	red	M10	68	24	10	45,5	20

Clamping grips high form



These grips are distinguished by their unusual design. The high form permits high clamping forces while being gentle to the hand.

Material, version:

Grip black hard thermoplastic.
Coating black soft thermoplastic.
Tapped bush brass.
Screw electro zinc-plated steel grade 5.8.

Sample order:

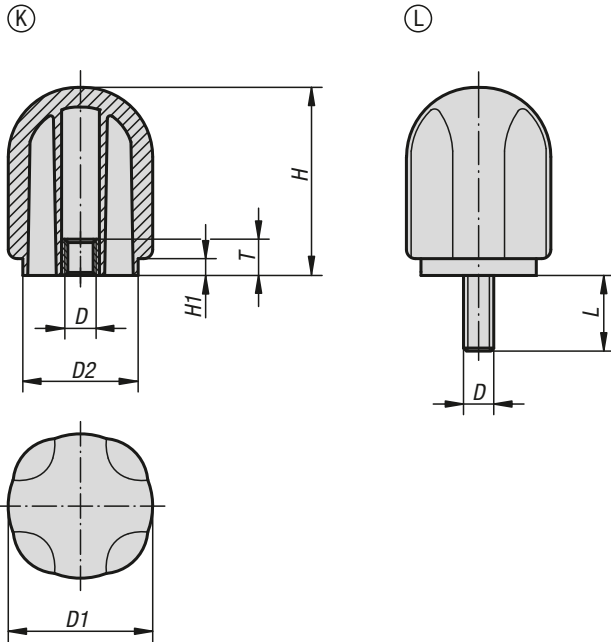
K0280.4206X20 (include length L)

Note:

SYMPA TOUCH high form clamping grips are available in 2 grip sizes with internal and external threads.

On request:

Other screw sizes, screw lengths, versions and colours.



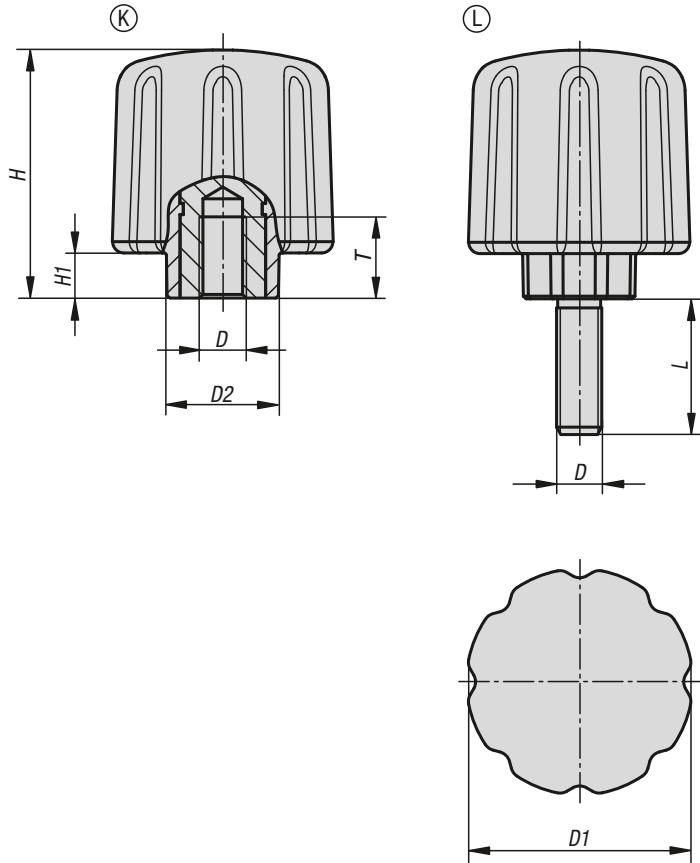
KIPP Clamping grips high form with internal thread

Order No.	Form	D	D1	D2	H	H1	T
K0280.4206	K	M6	42,7	34	55,6	4,8	12,5
K0280.4208	K	M8	42,7	34	55,6	4,8	12,5
K0280.4210	K	M10	42,7	34	55,6	4,8	12,5
K0280.4212	K	M12	42,7	34	55,6	4,8	12,5
K0280.4706	K	M6	47,8	38,1	62,2	5,6	12,5
K0280.4708	K	M8	47,8	38,1	62,2	5,6	12,5
K0280.4710	K	M10	47,8	38,1	62,2	5,6	12,5
K0280.4712	K	M12	47,8	38,1	62,2	5,6	12,5

KIPP Clamping grips high form with external thread

Order No.	Form	D	D1	D2	H	H1	L
K0280.4206X	L	M6	42,7	34	55,6	4,8	15/20/25/35
K0280.4208X	L	M8	42,7	34	55,6	4,8	16/25/35
K0280.4210X	L	M10	42,7	34	55,6	4,8	20/30/40/50
K0280.4706X	L	M6	47,8	38,1	62,2	5,6	20/35
K0280.4708X	L	M8	47,8	38,1	62,2	5,6	35
K0280.4710X	L	M10	47,8	38,1	62,2	5,6	40/50

Clamping grips ergonomic



Material:

Hard components fibreglass reinforced plastic.
Soft components thermoplastic elastomer.
Bush or screw, steel grade 5.8 or stainless steel 1.4305.

Version:

Steel trivalent blue passivated.
Stainless steel, bright.

Sample order:

K0779.5006X20

Note:

The colour combination black grey RAL 7021 (hard components) and black grey RAL 7021 (soft components) are supplied as standard.

On request:

Other versions.

KIPP Clamping grips ergonomic with internal thread

Order No.	Form	Component material	D	D1	D2	H	H1	T
K0779.5006	K	steel	M6	50	26	55	10	17
K0779.5008	K	steel	M8	50	26	55	10	17
K0779.5010	K	steel	M10	50	26	55	10	17
K0779.05006	K	stainless steel	M6	50	26	55	10	17
K0779.05008	K	stainless steel	M8	50	26	55	10	17
K0779.05010	K	stainless steel	M10	50	26	55	10	17

KIPP Clamping grips ergonomic with external thread

Order No.	Form	Component material	D	D1	D2	H	H1	L
K0779.5006X	L	steel	M6	50	26	55	10	15/20/25/30
K0779.5008X	L	steel	M8	50	26	55	10	20/25/30/40
K0779.5010X	L	steel	M10	50	26	55	10	30/40/50
K0779.05006X	L	stainless steel	M6	50	26	55	10	15/20/25/30
K0779.05008X	L	stainless steel	M8	50	26	55	10	20/25/30/40
K0779.05010X	L	stainless steel	M10	50	26	55	10	30/40/50

Knurled screws



Due to their extremely flat design, these grips can be used in very cramped spaces. The fluting around the edge improves gripping.

Material, version:

Grip black hard thermoplastic.
Coating black soft thermoplastic.
Tapped bush brass.
Screw electro zinc-plated steel grade 5.8.

Sample order:

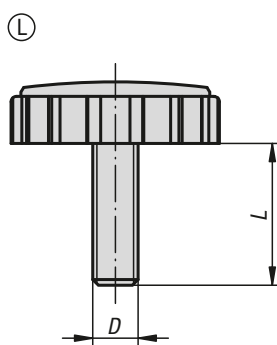
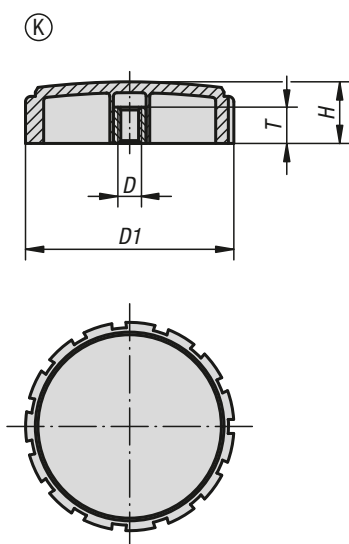
K0281.5706X20 (include length L)

Note:

SYMPA TOUCH Knurled screws are available in one grip size with internal and external threads.

On request:

Other screw sizes, screw lengths, versions and colours.



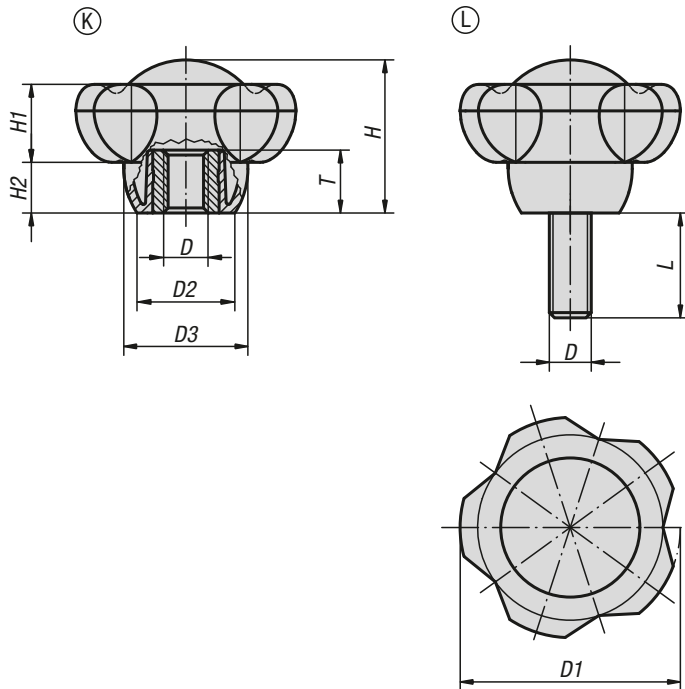
KIPP Knurled screw with internal thread

Order No.	Form	D	D1	H	T
K0281.5705	K	M5	57,4	17	12,5
K0281.5706	K	M6	57,4	17	12,5
K0281.5708	K	M8	57,4	17	12,5
K0281.5710	K	M10	57,4	17	12,5

KIPP Knurled screw with external thread

Order No.	Form	D	D1	H	L
K0281.5706X	L	M6	57,4	17	15/20/25/35
K0281.5708X	L	M8	57,4	17	16/25/30/35
K0281.5710X	L	M10	57,4	17	30/40/50

Five lobe grips



Material:

Black thermoplastic.

Bush and screw 5.8 steel or 1.4305 stainless steel.

Version:

Steel trivalent blue passivated, stainless steel bright.

Sample order:

K0255.50106X30

(cap colour traffic red; include length L)

Note:

The screw lengths 15, 35 and 45 are not available in stainless steel.

Δ Add the desired cap colour here. No colour code is required for black grey caps.



KIPP Five lobe grips with internal thread

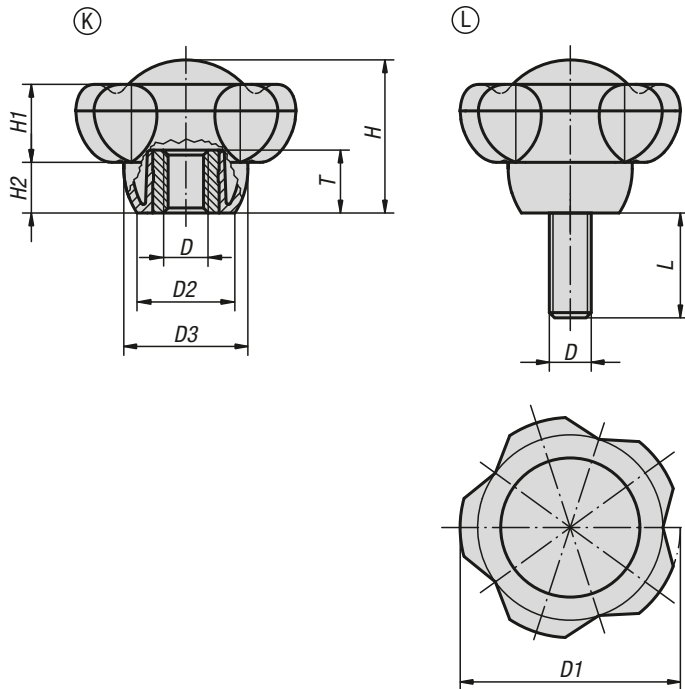
Order No. steel	Order No. stainless steel	Form	D	D1	D2	D3	H	H1	H2	T
K0255.5008Δ	K0255.50081Δ	K	M8	50	22,2	28,2	34,8	17,8	11,5	14
K0255.5010Δ	K0255.50101Δ	K	M10	50	22,2	28,2	34,8	17,8	11,5	14
K0255.5012Δ	K0255.50121Δ	K	M12	50	22,2	28,2	34,8	17,8	11,5	18
K0255.6310Δ	K0255.63101Δ	K	M10	63	28	35,5	44	22,5	14,5	14
K0255.6312Δ	K0255.63121Δ	K	M12	63	28	35,5	44	22,5	14,5	18
K0255.6316Δ	-	K	M16	63	28	35,5	44	22,5	14,5	18

KIPP Five lobe grips with external thread

Order No. steel	Order No. stainless steel	Form	D	D1	D2	D3	H	H1	H2	L
K0255.5010ΔX	K0255.50101ΔX	L	M10	50	22,2	28,2	34,8	17,8	11,5	15/20/25/30/35/40/45/50/60
K0255.5012ΔX	-	L	M12	50	22,2	28,2	34,8	17,8	11,5	15/20/25/30/35/40/45/50/60
K0255.6310ΔX	K0255.63101ΔX	L	M10	63	28	35,5	44	22,5	14,5	20/25/30/35/40/45/50/60
K0255.6312ΔX	-	L	M12	63	28	35,5	44	22,5	14,5	20/25/30/35/40/45/50/60

Five lobe grips antibacterial

metal parts stainless steel



Material:

Thermoplastic, slate grey.
Bush and screw stainless steel 1.4305.

Version:

Stainless steel bright.

Sample order:

K0255.1263101144X20

Application:

The antibacterial KIPP MEDI grip products are highly effective against a variety of hazardous microorganisms, such as bacteria, fungi and even multi-resistant bacteria (e.g. MRSA). The plastic used incorporates micro-silver particles with an antimicrobial effect to ensure effective results throughout the entire product life cycle.

Function:

The growth of harmful micro-organisms on the product surface is effectively disrupted by means of silver ions, and the existing germs on MEDI grip products are consistently reduced (as tested and confirmed by an accredited testing laboratory). During cleaning cycles the risk of infection through touching these products is significantly lower.

Advantages:

Resistant to humidity and cleaning products (during disinfection) with no toxic side effects.

Applications:

For installation on machines, equipment, plants and furnishings in areas with increased hygienic requirements (including hospitals, doctors' surgeries, rehabilitation centres and food production facilities), as well as for use in public areas or regularly frequented institutions (i.e. nursing homes or daycare centres).

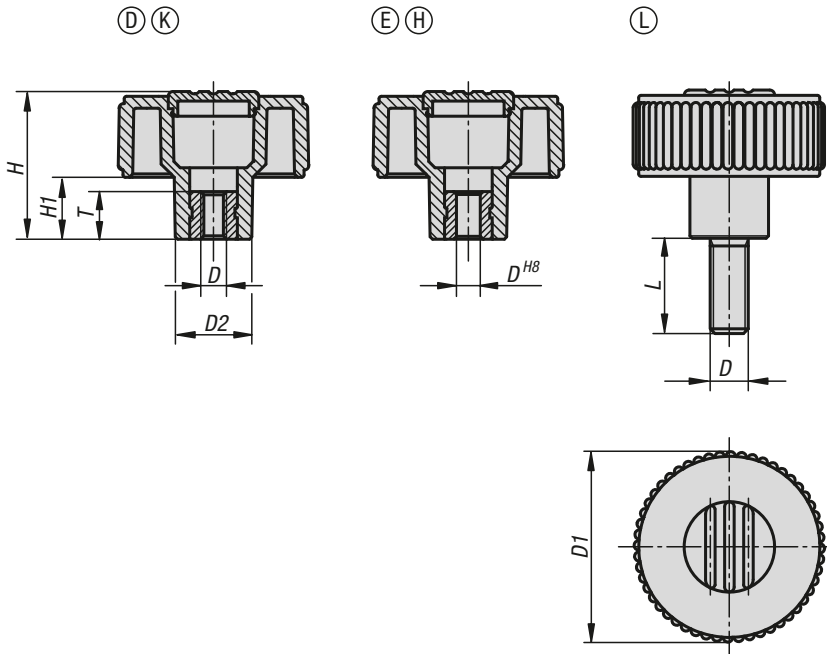
KIPP Five lobe grips antibacterial, metal parts stainless steel, internal thread

Order No.	Form	D	D1	D2	D3	H	H1	H2	T
K0255.1263101144	K	M10	63	28	35,5	44	22,5	14,5	14

KIPP Five lobe grips antibacterial, metal parts stainless steel, external thread

Order No.	Form	D	D1	D2	D3	H	H1	H2	L
K0255.1263101144X20	L	M10	63	28	35,5	44	22,5	14,5	20

Knurled knobs



Material:

Black thermoplastic.
Bush and screw grade 5.8 steel.

Version:

Steel trivalent blue passivated.

Sample order:

K0260.41067
(cap colour colza yellow.)








Note for ordering:

Δ Add the desired cap colour here.

No colour code is required for black grey caps.

Drawing reference:

- Form D: tapped bush without cap
- Form K: tapped bush with cap
- Form E: reamed bush without cap
- Form H: reamed bush with cap
- Form L: external thread

<p>black grey</p>  <p>RAL 7021</p>	<p>pure orange Δ = 1</p>  <p>RAL 2004</p>	<p>signal green Δ = 2</p>  <p>RAL 6032</p>	<p>traffic blue Δ = 3</p>  <p>RAL 5017</p>
<p>light grey Δ = 5</p>  <p>RAL 7035</p>	<p>traffic red Δ = 6</p>  <p>RAL 3020</p>	<p>colza yellow Δ = 7</p>  <p>RAL 1021</p>	

KIPP Knurled knobs Form D, with tapped bush, without cap

Order No.	Form	D	D1	D2	H	H1	T
K0260.1105	D	M5	40	16,5	30	13	10
K0260.1106	D	M6	40	16,5	30	13	10
K0260.1108	D	M8	40	16,5	30	13	14
K0260.1208	D	M8	50	18	35	15	14
K0260.1210	D	M10	50	18	35	15	14
K0260.1310	D	M10	63	22	40	17	14
K0260.1312	D	M12	63	22	40	17	18



KIPP Knurled knobs Form K, with tapped bush, with cap

Order No.	Form	D	D1	D2	H	H1	T
K0260.2105Δ	K	M5	40	16,5	31	13	10
K0260.2106Δ	K	M6	40	16,5	31	13	10
K0260.2108Δ	K	M8	40	16,5	31	13	14
K0260.2208Δ	K	M8	50	18	36	15	14
K0260.2210Δ	K	M10	50	18	36	15	14
K0260.2310Δ	K	M10	63	22	41	17	14
K0260.2312Δ	K	M12	63	22	41	17	18

KIPP Knurled knobs Form E, with reamed bush, without cap

Order No.	Form	D	D1	D2	H	H1	T
K0260.3106	E	6	40	16,5	30	13	10
K0260.3208	E	8	50	18	35	15	14
K0260.3310	E	10	63	22	40	17	14

KIPP Knurled knobs Form H, with reamed bush, with cap

Order No.	Form	D	D1	D2	H	H1	T
K0260.4106Δ	H	6	40	16,5	31	13	10
K0260.4208Δ	H	8	50	18	36	15	14
K0260.4310Δ	H	10	63	22	41	17	14

KIPP Knurled knobs Form L, with external thread

Order No.	Form	D	D1	D2	H	H1	L
K0260.5105ΔX	L	M5	40	16,5	31	13	10/20/40
K0260.5106ΔX	L	M6	40	16,5	31	13	10/20/40
K0260.5108ΔX	L	M8	40	16,5	31	13	15/30/60
K0260.5208ΔX	L	M8	50	18	36	15	15/30/60
K0260.5210ΔX	L	M10	50	18	36	15	20/30/60
K0260.5310ΔX	L	M10	63	22	41	17	20/30/60
K0260.5312ΔX	L	M12	63	22	41	17	30/60

Knurled knobs

metal parts stainless steel



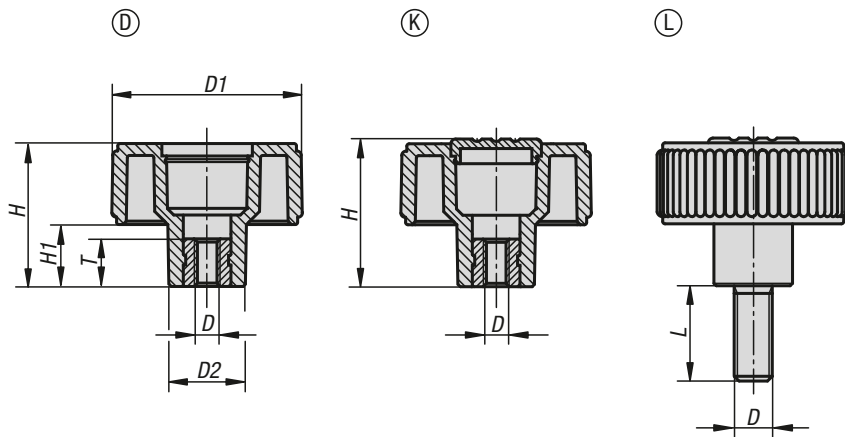
Material:
Thermoplastic, black grey.
Bush and screw stainless steel 1.4305.








Version:
Stainless steel bright.

Sample order:
K0261.51056X10
(cap colour traffic red; include length L.)

Note:
Δ Add the desired cap colour here.
No colour code is required for black grey caps.

Drawing reference:
Form D: tapped bush without cap
Form K: tapped bush with cap
Form L: external thread



black grey  RAL 7021	pure orange Δ = 1  RAL 2004	signal green Δ = 2  RAL 6032	traffic blue Δ = 3  RAL 5017
light grey Δ = 5  RAL 7035	traffic red Δ = 6  RAL 3020	colza yellow Δ = 7  RAL 1021	

KIPP Knurled knobs, metal parts stainless steel, Form D, with tapped bush, without cap

Order No.	Form	D	D1	D2	H	H1	T
K0261.1105	D	M5	40	16,5	30	13	10
K0261.1106	D	M6	40	16,5	30	13	10
K0261.1108	D	M8	40	16,5	30	13	14
K0261.1208	D	M8	50	18	35	15	14
K0261.1210	D	M10	50	18	35	15	14
K0261.1310	D	M10	63	22	40	17	14
K0261.1312	D	M12	63	22	40	17	18

Knurled knobs

metal parts stainless steel



KIPP Knurled knobs, metal parts stainless steel, Form K, with tapped bush, with cap

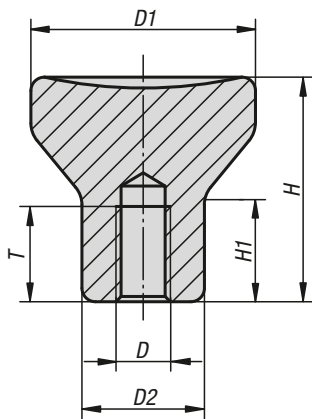
Order No.	Form	D	D1	D2	H	H1	T
K0261.2105Δ	K	M5	40	16,5	31	13	10
K0261.2106Δ	K	M6	40	16,5	31	13	10
K0261.2108Δ	K	M8	40	16,5	31	13	14
K0261.2108Δ	K	M8	40	16,5	31	13	10
K0261.2208Δ	K	M8	50	18	36	15	14
K0261.2210Δ	K	M10	50	18	36	15	14
K0261.2310Δ	K	M10	63	22	41	17	14
K0261.2312Δ	K	M12	63	22	41	17	18

KIPP Knurled knobs, metal parts stainless steel, Form L, with external thread

Order No.	Form	D	D1	D2	H	H1	L
K0261.5105ΔX	L	M5	40	16,5	31	13	10/20
K0261.5106ΔX	L	M6	40	16,5	31	13	10/20/40
K0261.5108ΔX	L	M8	40	16,5	31	13	15/30/60
K0261.5208ΔX	L	M8	50	18	36	15	15/30/60
K0261.5210ΔX	L	M10	50	18	36	15	20/30/60
K0261.5310ΔX	L	M10	63	22	41	17	20/30/60

Mushroom knobs

internal thread

**Material:**

Steel, 1.4305 stainless steel, 1.4404 stainless steel or aluminium.

Version:

Steel electro zinc-plated and trivalent blue passivated.
Stainless steel, fine turned or abrasive blasted.
Aluminium natural tone anodised.

Sample order:

K0250.104

On request:

With external threads.

Mushroom knobs

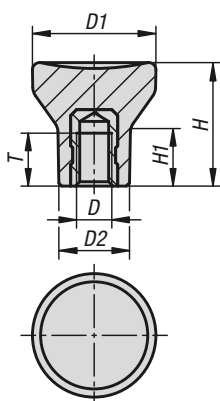
internal thread

KIPP Mushroom knobs with internal thread

Order No.	Main material	Steel code	Surface finish body	D	D1	D2	H	H1	T
K0250.0902	steel	-	blue-passivated	M2	14	8	14	6,7	4
K0250.0003	steel	-	blue-passivated	M3	18	10	18	8,6	7,5
K0250.0104	steel	-	blue-passivated	M4	21	12	21	10	10
K0250.0105	steel	-	blue-passivated	M5	21	12	21	10	12,5
K0250.0206	steel	-	blue-passivated	M6	25	14	25	12	12
K0250.0308	steel	-	blue-passivated	M8	33	18	33	16	16
K0250.0410	steel	-	blue-passivated	M10	40	24	40	18,7	20
K0250.902	stainless steel	1.4305	fine turned	M2	14	8	14	6,7	4
K0250.003	stainless steel	1.4305	fine turned	M3	18	10	18	8,6	7,5
K0250.104	stainless steel	1.4305	fine turned	M4	21	12	21	10	10
K0250.105	stainless steel	1.4305	fine turned	M5	21	12	21	10	12,5
K0250.206	stainless steel	1.4305	fine turned	M6	25	14	25	12	12
K0250.308	stainless steel	1.4305	fine turned	M8	33	18	33	16	16
K0250.410	stainless steel	1.4305	fine turned	M10	40	24	40	18,7	20
K0250.2902	stainless steel	1.4305	blasted	M2	14	8	14	6,7	4
K0250.2003	stainless steel	1.4305	blasted	M3	18	10	18	8,6	7,5
K0250.2104	stainless steel	1.4305	blasted	M4	21	12	21	10	10
K0250.2105	stainless steel	1.4305	blasted	M5	21	12	21	10	12,5
K0250.2206	stainless steel	1.4305	blasted	M6	25	14	25	12	12
K0250.2308	stainless steel	1.4305	blasted	M8	33	18	33	16	16
K0250.2410	stainless steel	1.4305	blasted	M10	40	24	40	18,7	20
K0250.3902	stainless steel	1.4404	bright	M2	14	8	14	6,7	4
K0250.3003	stainless steel	1.4404	bright	M3	18	10	18	8,6	7,5
K0250.3104	stainless steel	1.4404	bright	M4	21	12	21	10	10
K0250.3105	stainless steel	1.4404	bright	M5	21	12	21	10	12,5
K0250.3206	stainless steel	1.4404	bright	M6	25	14	25	12	12
K0250.3308	stainless steel	1.4404	bright	M8	33	18	33	16	16
K0250.3410	stainless steel	1.4404	bright	M10	40	24	40	18,7	20
K0250.4902	stainless steel	1.4404	blasted	M2	14	8	14	6,7	4
K0250.4003	stainless steel	1.4404	blasted	M3	18	10	18	8,6	7,5
K0250.4104	stainless steel	1.4404	blasted	M4	21	12	21	10	10
K0250.4105	stainless steel	1.4404	blasted	M5	21	12	21	10	12,5
K0250.4206	stainless steel	1.4404	blasted	M6	25	14	25	12	12
K0250.4308	stainless steel	1.4404	blasted	M8	33	18	33	16	16
K0250.4410	stainless steel	1.4404	blasted	M10	40	24	40	18,7	20
K0250.1902	aluminium	-	anodised	M2	14	8	14	6,7	4
K0250.1003	aluminium	-	anodised	M3	18	10	18	8,6	7,5
K0250.1104	aluminium	-	anodised	M4	21	12	21	10	10
K0250.1105	aluminium	-	anodised	M5	21	12	21	10	12,5
K0250.1206	aluminium	-	anodised	M6	25	14	25	12	12
K0250.1308	aluminium	-	anodised	M8	33	18	33	16	16
K0250.1410	aluminium	-	anodised	M10	40	24	40	18,7	20

Mushroom knobs

internal thread



Material:

Thermoset PF 31.
Steel or stainless steel.

Version:

Thermoset black, high-gloss polished.
Trivalent blue passivated steel or bright stainless steel.

Sample order:

K1286.104

Note:

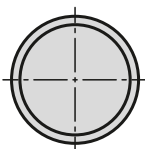
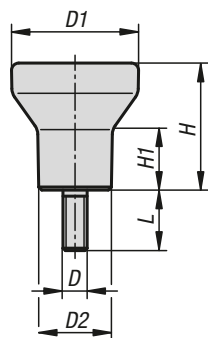
K1286.104 has a brass bush.

KIPP Mushroom knobs with internal thread

Order No.	Component material	D	D1	D2	H	H1	T
K1286.104	brass	M4	21	12	21	10	6
K1286.105	steel	M5	21	12	21	10	7,5
K1286.206	steel	M6	25	14	25	12	9
K1286.308	steel	M8	33	18	33	16	12
K1286.1104	stainless steel	M4	21	12	21	10	6
K1286.1105	stainless steel	M5	21	12	21	10	7,5
K1286.1206	stainless steel	M6	25	14	25	12	9
K1286.1308	stainless steel	M8	33	18	33	16	12

Mushroom knobs

external thread



Material:
Thermoset PF 31.
Steel or stainless steel.

Version:
Thermoset black, high-gloss polished.
Trivalent blue passivated steel or bright stainless steel.

Sample order:
K1287.104X10

On request:
Other screw lengths.

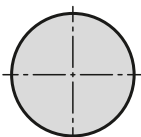
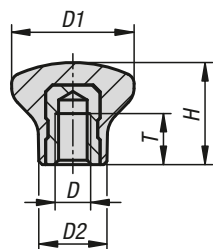


KIPP Mushroom knobs with external thread

Order No. steel	Order No. stainless steel	D	D1	D2	H	H1	L
K1287.104X10	K1287.1104X10	M4	21	12	21	10	10
K1287.105X10	K1287.1105X10	M5	21	12	21	10	10
K1287.206X10	K1287.1206X10	M6	25	14	25	12	10
K1287.308X15	K1287.1308X15	M8	33	18	33	16	15

Mushroom knobs

internal thread



Material:

Thermoset PF 31.
Steel or stainless steel.

Version:

Thermoset black, high-gloss polished.
Trivalent blue passivated steel or bright stainless steel.

Sample order:

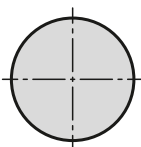
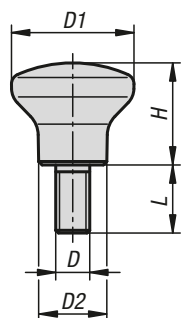
K1288.1805

KIPP Mushroom knobs with internal thread

Order No. steel	Order No. stainless steel	D	D1	D2	H	T
K1288.1805	K1288.11805	M5	18	10	15	7,5
K1288.2106	K1288.12106	M6	21	12	17	9
K1288.2506	K1288.12506	M6	25	14	21	9
K1288.3308	K1288.13308	M8	33	18	29	12

Mushroom knobs

external thread



Material:

Thermoset PF 31.
Steel or stainless steel.

Version:

Thermoset black, high-gloss polished.
Trivalent blue passivated steel or bright stainless steel.

Sample order:

K1289.1805X10

On request:

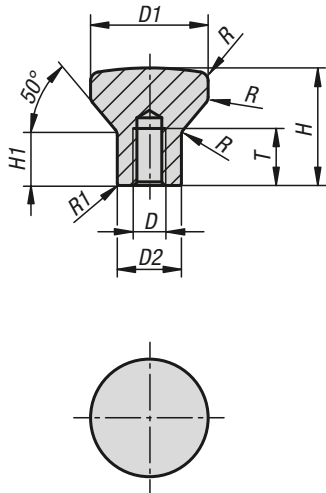
Other screw lengths.

KIPP Mushroom knobs with external thread

Order No. steel	Order No. stainless steel	D	D1	D2	H	L
K1289.1805X10	K1289.11805X10	M5	18	10	15	10
K1289.2106X10	K1289.12106X10	M6	21	12	17	10
K1289.2506X10	K1289.12506X10	M6	25	14	21	10
K1289.3308X15	K1289.13308X15	M8	33	18	29	15

Mushroom knobs female thread with high head

for Hygienic USIT® Freudenberg Process Seals sealing and shim washer



Material:

Steel parts stainless steel 1.4404.

Version:

High-gloss polished.

Sample order:

K1308.2004

Note:

The high head makes the mushroom knob ideal for manual pull and push movements.

The complete surface is polished to a high gloss with a surface finish of much less than Ra 0.8 µm. The contour is produced with generous radii and transitions. It doesn't matter in which position the mushroom knob is mounted, dirt and residue from products or cleaners seldom adheres. Easy cleaning is ensured.

The Hygienic USIT® sealing and shim washers from Freudenberg Process are used to seal the screw-on point. The shaft of the mushroom knob is specially designed to suit this seal. An almost cavity-free seal of the screw-on point is created which satisfies hygienic regulations.

On request:

Inch threads, thread depths, form variations.

Accessories:

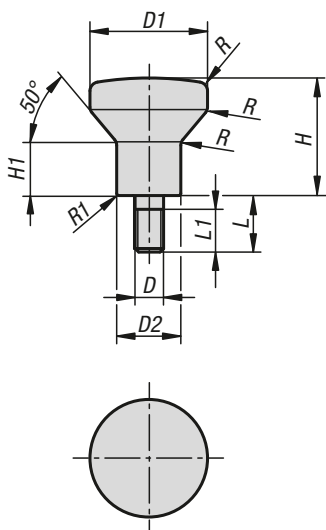
Hygienic USIT® sealing and shim washer K1491 for the screw-on surface.

KIPP Mushroom knobs, female thread with high head, for Hygienic USIT® sealing and shim washer

Order No.	D	D1	D2	H	H1	T	R	R1
K1308.2004	M4	20	10,8	19	8	10	3	0,45
K1308.2105	M5	21	11,8	21	10	12	3	0,5
K1308.2506	M6	25	14,2	25	12	12	3	0,55
K1308.3308	M8	33	18	33	15	16	4	0,7
K1308.4010	M10	40	22,3	40	19	20	4	0,8

Mushroom knobs male thread with high head

for Hygienic USIT® sealing and shim washer Freudenberg Process Seals



Material:

Steel parts stainless steel 1.4404.

Version:

High-gloss polished.

Sample order:

K1309.2004X8

Note:

The high head makes the mushroom knob ideal for manual pull and push movements. The complete surface is polished to a high gloss with a surface finish of much less than Ra 0.8 µm. The contour is produced with generous radii and transitions. It doesn't matter in which position the mushroom knob is mounted, dirt and residue from products or cleaners seldom adheres. Easy cleaning is ensured. The Hygienic USIT® sealing and shim washers from Freudenberg Process are used to seal the screw-on point. The shaft of the mushroom knob is specially designed to suit this seal. An almost cavity-free seal of the screw-on point is created which satisfies hygienic regulations.

On request:

Inch threads, thread lengths, form variations.

Accessories:

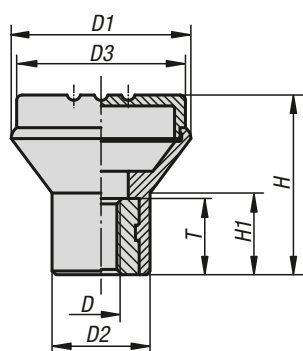
Hygienic USIT® sealing and shim washer K1491 for the screw-on surface.

KIPP Mushroom knobs male thread, with high head, for Hygienic USIT® sealing and shim washer

Order No.	D	D1	D2	H	H1	L	L1	R	R1
K1309.2004X8	M4	20	10,8	19	8	8	7	3	0,45
K1309.2105X10	M5	21	11,8	21	10	10	9	3	0,5
K1309.2506X12	M6	25	14,2	25	12	12	11	3	0,55
K1309.3308X16	M8	33	18	33	15	16	15	4	0,7
K1309.4010X20	M10	40	22,3	40	19	20	19	4	0,8

Mushroom knobs

internal thread



Material:

Black thermoplastic.

Bush grade 5.8 steel or 1.4305 stainless steel.

Version:

Steel trivalent blue passivated, stainless steel bright.



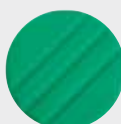




Sample order:

K0251.046 (cap colour traffic red.)

Note:

Δ Add the desired cap colour here.

No colour code is required for black grey caps.

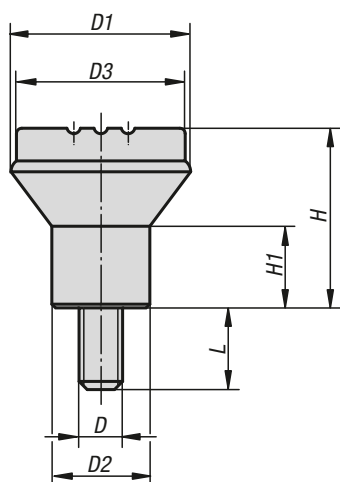
black grey  RAL 7021	pure orange Δ = 1  RAL 2004	signal green Δ = 2  RAL 6032	traffic blue Δ = 3  RAL 5017
light grey Δ = 5  RAL 7035	traffic red Δ = 6  RAL 3020	colza yellow Δ = 7  RAL 1021	

KIPP Mushroom knobs with internal thread

Order No. steel	Order No. stainless steel	D	D1	D2	D3	H	H1	T
K0251.04Δ	K0251.004Δ	M4	21	12	19	21	10	10
K0251.05Δ	K0251.005Δ	M5	21	12	19	21	10	10
K0251.06Δ	K0251.006Δ	M6	25	14	23	25	12	10
K0251.08Δ	K0251.008Δ	M8	33	19	31	33	15	14

Mushroom knobs

external thread



Material:

Black thermoplastic.
Screw grade 5.8 steel or 1.4305 stainless steel.

Version:

Steel trivalent blue passivated, stainless steel bright.


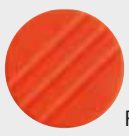
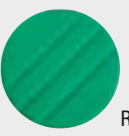
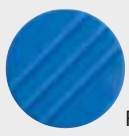

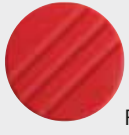
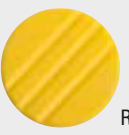
Sample order:

K0251.046X10 (cap colour traffic red; include length L)

Note:

Δ Add the desired cap colour here.

No colour code is required for black grey caps.

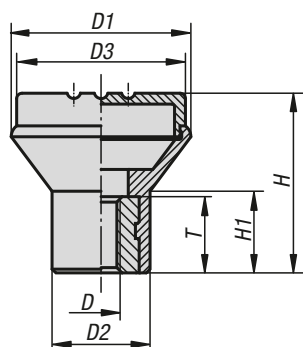
black grey  RAL 7021	pure orange Δ = 1  RAL 2004	signal green Δ = 2  RAL 6032	traffic blue Δ = 3  RAL 5017
light grey Δ = 5  RAL 7035	traffic red Δ = 6  RAL 3020	colza yellow Δ = 7  RAL 1021	

KIPP Mushroom knobs with external thread

Order No. steel	Order No. stainless steel	D	D1	D2	D3	H	H1	L
K0251.04ΔX	K0251.004ΔX	M4	21	12	19	21	10	10
K0251.05ΔX	K0251.005ΔX	M5	21	12	19	21	10	10
K0251.06ΔX	K0251.006ΔX	M6	25	14	23	25	12	15
K0251.08ΔX	K0251.008ΔX	M8	33	19	31	33	15	15

Mushroom knobs biopolymer

internal thread



Material:

Biopolymer, beech.
Bush steel 5.8

Version:

Bush trivalent blue passivated.
Natural beech with beech fibres or coloured black grey.

Sample order:

K0251.1005143

Advantages:

This biopolymer is manufactured entirely from renewable raw materials (oil free).
Conservation of finite fossil resources.
The wood fibres originate 100% from local, sustainably managed forests in Germany.

Features:

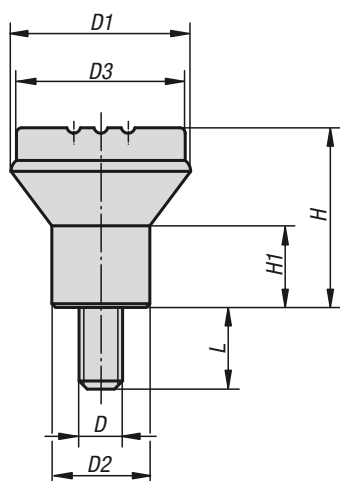
Excellent mechanical stability (certified with a minimum of 2x safety factor).
Biopolymer is suitable for recycling (comparable to thermoplastics).
Suitable for outdoor use (not biodegradable).
Excellent resistance to strong acids and lyes.
Short-term resistance to alcohol, fuel, mineral oil and grease.

KIPP Mushroom knobs biopolymer with internal thread

Order No.	Main colour	Thread type	D	D1	D2	D3	H	H1	T
K0251.1005143	natural beech	internal thread	M5	21	12	19	21	10	10
K0251.1006143	natural beech	internal thread	M6	25	14	23	25	12	10
K0251.1008143	natural beech	internal thread	M8	33	19	33	33	15	14
K0251.100590	black grey RAL 7021	internal thread	M5	21	12	19	21	10	10
K0251.100690	black grey RAL 7021	internal thread	M6	25	14	23	25	12	10
K0251.100890	black grey RAL 7021	internal thread	M8	33	19	33	33	15	14

Mushroom knobs biopolymer

external thread



Material:

Biopolymer, beech.
Threaded pin steel 5.8.

Version:

Screw trivalent blue passivated.
Natural beech with beech fibres or coloured black grey.

Sample order:

K0251.100590X10

Advantages:

This biopolymer is manufactured entirely from renewable raw materials (oil free).
Conservation of finite fossil resources.
The wood fibres originate 100% from local, sustainably managed forests in Germany.

Features:

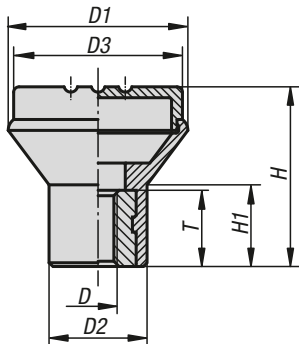
Excellent mechanical stability (certified with a minimum of 2x safety factor).
Biopolymer is suitable for recycling (comparable to thermoplastics).
Suitable for outdoor use (not biodegradable).
Excellent resistance to strong acids and lyes.
Short-term resistance to alcohol, fuel, mineral oil and grease.

KIPP Mushroom knobs biopolymer with external thread

Order No.	Main colour	D	D1	D2	D3	H	H1	L
K0251.1005143X10	natural beech	M5	21	12	19	21	10	10
K0251.1006143X15	natural beech	M6	25	14	23	25	12	15
K0251.1008143X15	natural beech	M8	33	19	33	33	15	15
K0251.100590X10	black grey RAL 7021	M5	21	12	19	21	10	10
K0251.100690X15	black grey RAL 7021	M6	25	14	23	25	12	15
K0251.100890X15	black grey RAL 7021	M8	33	19	33	33	15	15

Mushroom knobs antibacterial

internal thread, metal parts stainless steel



Material:

Thermoplastic, slate grey.
Bush stainless steel 1.4305.

Version:

Stainless steel bright.

Sample order:

K0251.12005144

Application:

The antibacterial KIPP MEDI grip products are highly effective against a variety of hazardous microorganisms, such as bacteria, fungi and even multi-resistant bacteria (e.g. MRSA). The plastic used incorporates micro-silver particles with an antimicrobial effect to ensure effective results throughout the entire product life cycle.

Function:

The growth of harmful micro-organisms on the product surface is effectively disrupted by means of silver ions, and the existing germs on MEDI grip products are consistently reduced (as tested and confirmed by an accredited testing laboratory).

During cleaning cycles the risk of infection through touching these products is significantly lower.

Advantages:

Resistant to humidity and cleaning products (during disinfection) with no toxic side effects.

Applications:

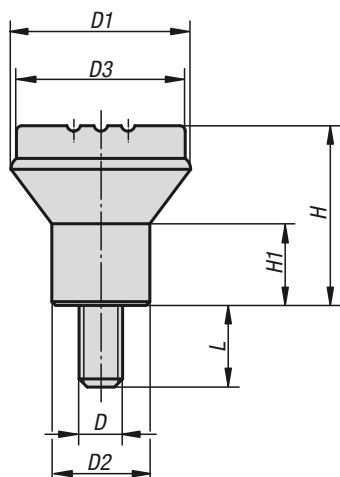
For installation on machines, equipment, plants and furnishings in areas with increased hygienic requirements (including hospitals, doctors' surgeries, rehabilitation centres and food production facilities), as well as for use in public areas or regularly frequented institutions (i.e. nursing homes or daycare centres).

KIPP Mushroom knobs antibacterial internal thread, metal parts stainless steel

Order No.	Component material	D	D1	D2	D3	H	H1	T
K0251.12005144	stainless steel	M5	21	12	19	21	10	10

Mushroom knobs antibacterial

external thread, metal parts stainless steel



Material:

Thermoplastic, slate grey.
Threaded pin stainless steel 1.4305.

Version:

Stainless steel bright.

Sample order:

K0251.12005144X10

Application:

The antibacterial KIPP MEDI grip products are highly effective against a variety of hazardous microorganisms, such as bacteria, fungi and even multi-resistant bacteria (e.g. MRSA).

The plastic used incorporates micro-silver particles with an antimicrobial effect to ensure effective results throughout the entire product life cycle.

Function:

The growth of harmful micro-organisms on the product surface is effectively disrupted by means of silver ions, and the existing germs on MEDI grip products are consistently reduced (as tested and confirmed by an accredited testing laboratory).

During cleaning cycles the risk of infection through touching these products is significantly lower.

Advantages:

Resistant to humidity and cleaning products (during disinfection) with no toxic side effects.

Applications:

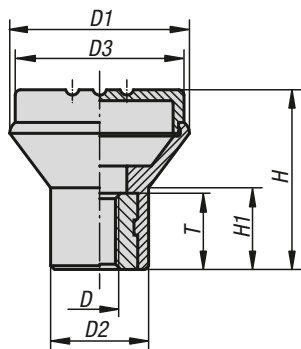
For installation on machines, equipment, plants and furnishings in areas with increased hygienic requirements (including hospitals, doctors' surgeries, rehabilitation centres and food production facilities), as well as for use in public areas or regularly frequented institutions (i.e. nursing homes or daycare centres).

KIPP Mushroom knobs antibacterial, external thread, metal parts stainless steel

Order No.	Component material	D	D1	D2	D3	H	H1	L
K0251.12005144X10	stainless steel	M5	21	12	19	21	10	10

Mushroom knobs antistatic

internal thread



Material:

Thermoplastic, graphite black.
Bush steel 5.8.

Version:

Bush blue passivated

Sample order:

K0251.110524

Application:

Sensitive electrical or electronic equipment, components and devices (ESD sensitive elements) may be damaged or destroyed by electrostatic discharges (ESD) in the immediate vicinity.

Electrostatic discharges can come from people or through handling ESD sensitive components (e.g. during production, assembly, transport, storage etc).

Electrically conductive products which conform to DIN EN 61340-5-1 are essential within electronic environments to prevent an electrostatic discharge.

These products can be used for ESD applications or in ESD protection areas (EPA) in accordance with DIN EN 61340-5-1.

Safety:

These ESD products can also be used for devices, components and protection systems in areas with high risk of explosion.

Use of these ESD products prevents the occurrence of electrostatic spark discharges, eliminating the potential ignition of gases and dusts which could lead to explosions in enclosed spaces.

Manufacturers and operators must use and conform to ATEX directives for the protection of persons working in areas with high risk of explosion.

These ESD products are certified by TÜV-Süd in relation to their electrical discharge capability.

Target groups:

Device manufacturers required to conform to ATEX product directive 2014/34/EU.

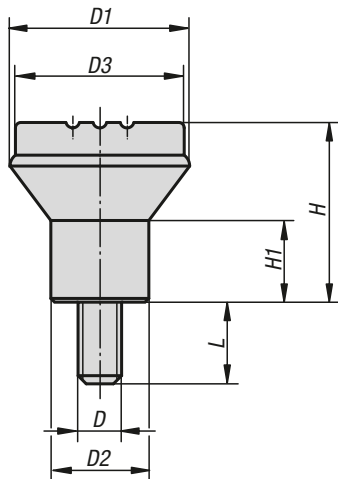
Operators required to conform to ATEX worker protection directive 1999/92/EC.

KIPP Mushroom knobs antistatic internal thread

Order No.	Main colour	D	D1	D2	D3	H	H1	T
K0251.110524	graphite black RAL 9011	M5	21	12	19	21	10	10

Mushroom knobs antistatic

external thread



Material:

Thermoplastic, graphite black.
Threaded pin steel 5.8.

Version:

Screw blue passivated.

Sample order:

K0251.110524X10

Application:

Sensitive electrical or electronic equipment, components and devices (ESD sensitive elements) may be damaged or destroyed by electrostatic discharges (ESD) in the immediate vicinity.

Electrostatic discharges can come from people or through handling ESD sensitive components (e.g. during production, assembly, transport, storage etc).

Electrically conductive products which conform to DIN EN 61340-5-1 are essential within electronic environments to prevent an electrostatic discharge.

These products can be used for ESD applications or in ESD protection areas (EPA) in accordance with DIN EN 61340-5-1.

Safety:

These ESD products can also be used for devices, components and protection systems in areas with high risk of explosion.

Use of these ESD products prevents the occurrence of electrostatic spark discharges, eliminating the potential ignition of gases and dusts which could lead to explosions in enclosed spaces.

Manufacturers and operators must use and conform to ATEX directives for the protection of persons working in areas with high risk of explosion.

These ESD products are certified by TÜV-Süd in relation to their electrical discharge capability.

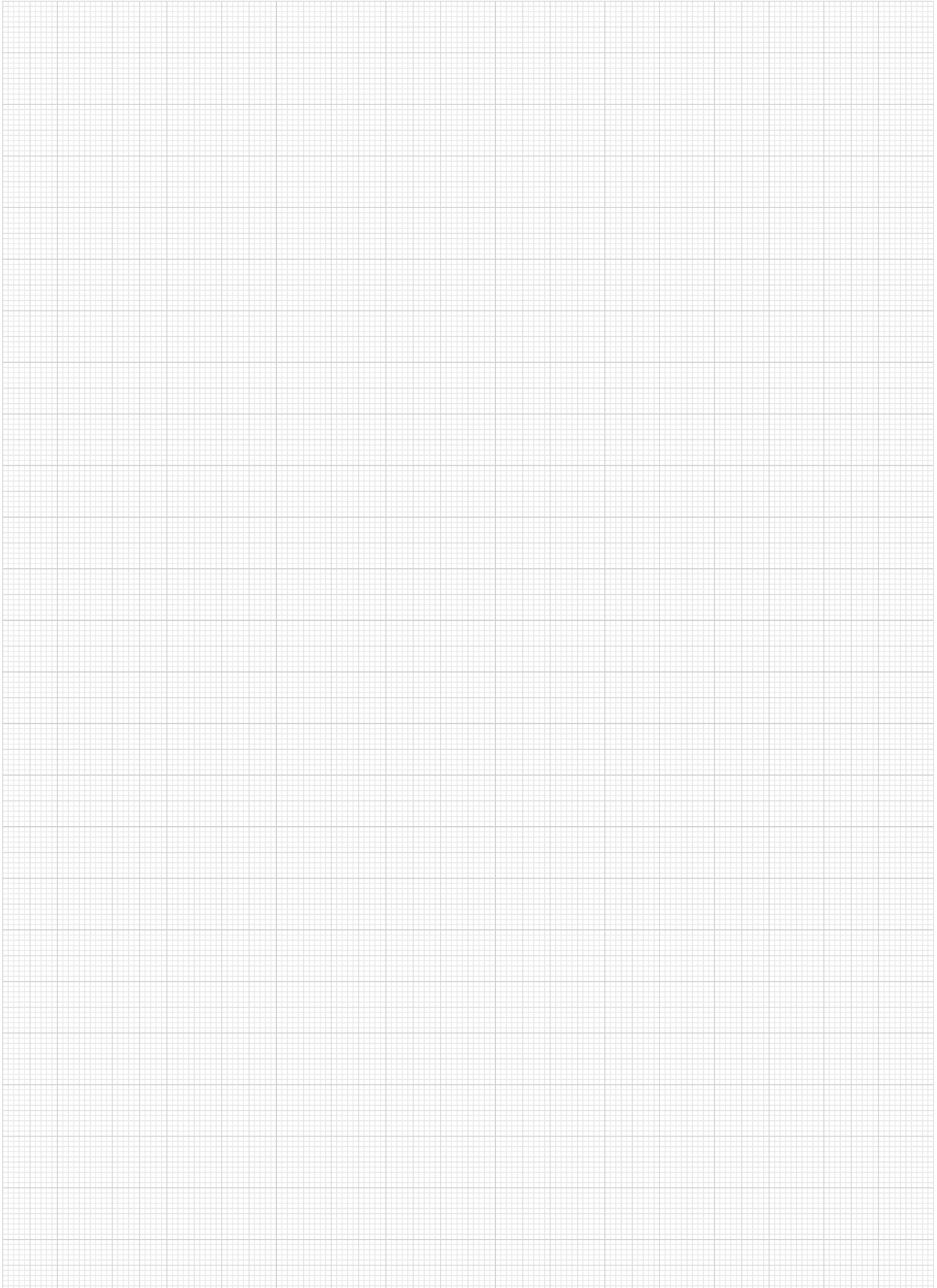
Target groups:

Device manufacturers required to conform to ATEX product directive 2014/34/EU.

Operators required to conform to ATEX worker protection directive 1999/92/EC.

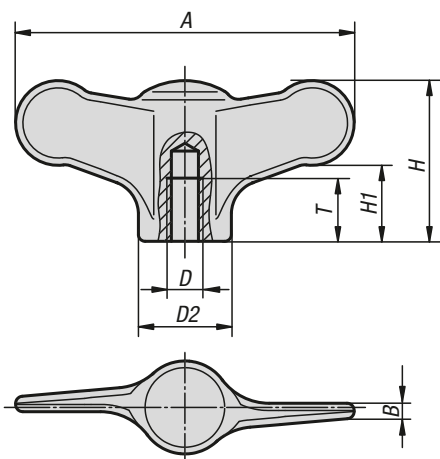
KIPP Mushroom knobs antistatic external thread

Order No.	Main colour	D	D1	D2	D3	H	H1	L
K0251.110524X10	graphite black RAL 9011	M5	21	12	19	21	10	10



Wing grips

internal thread, stainless steel



Material:
Stainless steel 1.4308.

Version:
Polished or blasted.

Sample order:
K0273.105

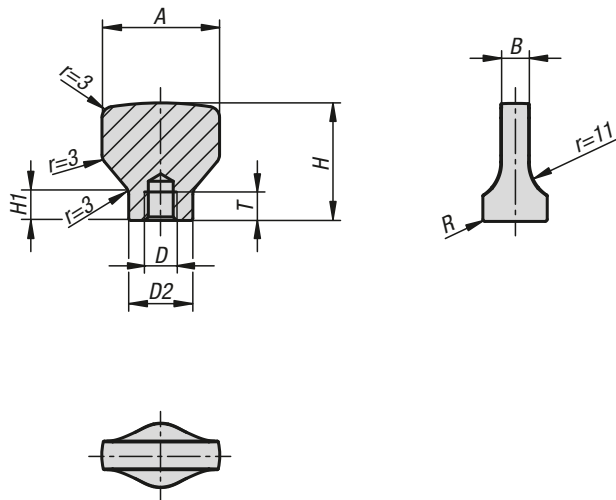
On request:
With external threads.

KIPP Wing grips with internal thread, stainless steel

Order No.	Main colour	A	B	D	D2	H	H1	T
K0273.904	polished	38	1,7	M4	10,5	18	8,5	9
K0273.905	polished	38	1,7	M5	10,5	18	8,5	9
K0273.906	polished	38	1,7	M6	10,5	18	8,5	9
K0273.105	polished	50	2,3	M5	14	24	11,5	12
K0273.106	polished	50	2,3	M6	14	24	11,5	12
K0273.208	polished	75	3,4	M8	21	35	16,5	15
K0273.210	polished	75	3,4	M10	21	35	16,5	15
K0273.9041	blasted	38	1,7	M4	10,5	18	8,5	9
K0273.9051	blasted	38	1,7	M5	10,5	18	8,5	9
K0273.9061	blasted	38	1,7	M6	10,5	18	8,5	9
K0273.1051	blasted	50	2,3	M5	14	24	11,5	12
K0273.1061	blasted	50	2,3	M6	14	24	11,5	12
K0273.2081	blasted	75	3,4	M8	21	35	16,5	15
K0273.2101	blasted	75	3,4	M10	21	35	16,5	15

Wing nuts

for Hygienic USIT® sealing and shim washer Freudenberg Process Seals


Material:

Steel parts stainless steel 1.4404.

Version:

High-gloss polished.

Sample order:

K1312.2004

Note:

The wing nut makes simple screw connections superbly feasible. They can be easily opened or re-tightened without tools.

The complete surface is polished to a high gloss with a surface finish of much less than Ra 0.8 µm. The contour is produced with generous radii and transitions. It doesn't matter in which position the wing grip is mounted, dirt and residue from products or cleaners seldom adheres. Easy cleaning is ensured. The Hygienic USIT® sealing and shim washers from Freudenberg Process are used to seal the screw-on point. The shaft of the wing nut is specially designed to suit this seal. An almost cavity-free seal of the screw-on point is created which satisfies hygienic regulations.

On request:

Other thread depths and inch threads.

Accessories:

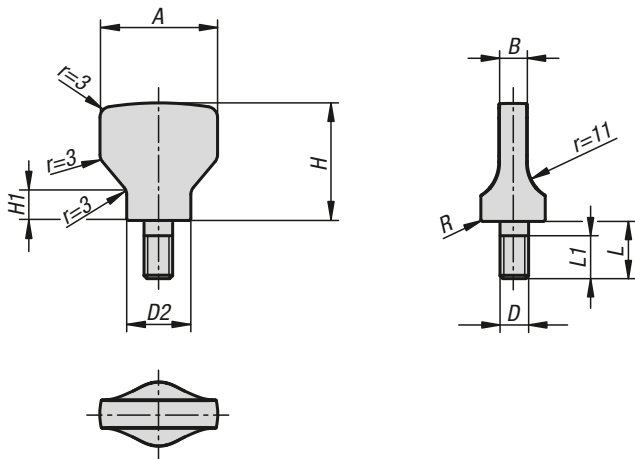
Hygienic USIT® sealing and shim washer K1491 for the screw-on surface.

KIPP Wing nuts for Hygienic USIT® sealing and shim washer Freudenberg Process Seals

Order No.	A	B	D	D2	H	H1	R	T
K1312.2004	20	4	M4	10,8	19	5,3	0,45	6
K1312.2105	21	5	M5	11,8	21	6	0,5	6
K1312.2506	25	6	M6	14,2	25	7	0,55	7
K1312.3308	33	8	M8	18	33	8,4	0,7	9
K1312.4010	40	10	M10	22,3	40	10	0,8	11

Wing screws

for Hygienic USIT® sealing and shim washer Freudenberg Process Seals



Material:

Steel parts stainless steel 1.4404.

Version:

High-gloss polished.

Sample order:

K1313.2004X8

Note:

The wing screw makes simple screw connections superbly feasible. They can be easily opened or re-tightened without tools.

The complete surface is polished to a high gloss with a surface finish of much less than Ra 0.8 µm. The contour is produced with generous radii and transitions. It doesn't matter in which position the wing grip is mounted, dirt and residue from products or cleaners seldom adheres. Easy cleaning is ensured. The Hygienic USIT® sealing and shim washers from Freudenberg Process are used to seal the screw-on point. The shaft of the wing screw is specially designed to suit this seal. An almost cavity-free seal of the screw-on point is created which satisfies hygienic regulations.

On request:

Other screw lengths and inch threads.

Accessories:

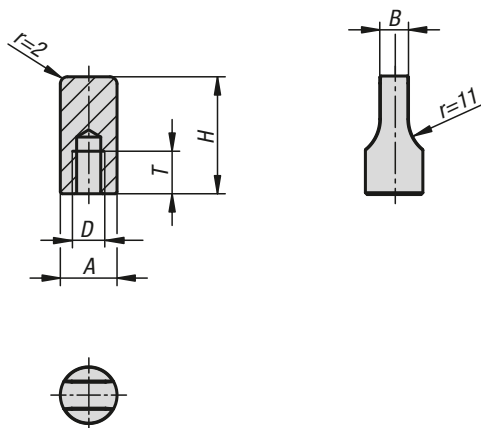
Hygienic USIT® sealing and shim washer K1491 for the screw-on surface.

KIPP Wing screws for Hygienic USIT® sealing and shim washer Freudenberg Process Seals

Order No.	A	B	D	D2	H	H1	L	L1	R
K1313.2004X8	20	4	M4	10,8	19	5,3	8	7	0,45
K1313.2105X10	21	5	M5	11,8	21	6	10	9	0,5
K1313.2506X12	25	6	M6	14,2	25	7	12	11	0,55
K1313.3308X16	33	8	M8	18	33	8,4	16	15	0,7
K1313.4010X20	40	10	M10	22,3	40	10	20	19	0,8

Wing nuts narrow

in Hygienic DESIGN



Material:
Stainless steel 1.4404.

Version:
Polished.

Sample order:
K1314.04

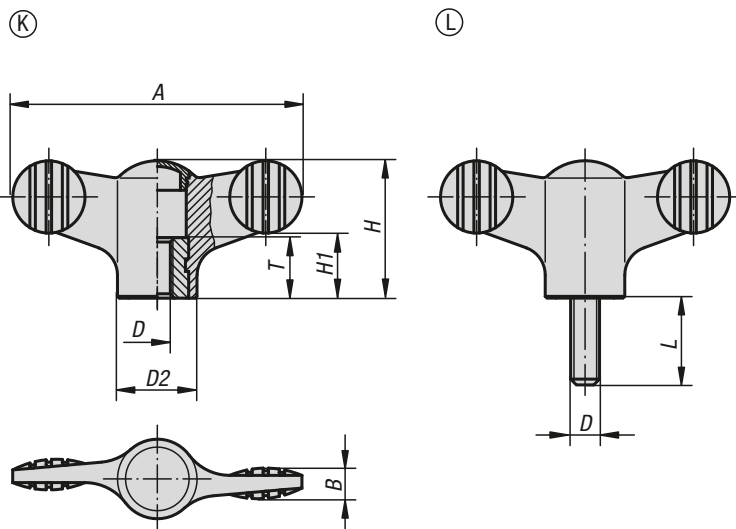
Note:
The wing nut makes simple screw connections feasible. They can be easily opened or re-tightened without tools.
The complete surface is polished with a surface finish of less than Ra 0.8 µm. The contour is rounded with smooth transitions. Due to the polished surface dirt and residue from products or cleaners seldom adheres. Easy cleaning is ensured.

On request:
Inch threads, external threads.

KIPP Wing nuts narrow in Hygienic DESIGN

Order No.	A	B	D	H	T
K1314.04	9	4,5	M4	20	6
K1314.05	10	4,5	M5	22	6
K1314.06	12	5,5	M6	22	7
K1314.08	16	8	M8	25	9
K1314.10	20	10	M10	30	11

Wing grips



Material:

Grip black thermoplastic.
Bush and screw steel 5.8 or stainless steel 1.4305.

Version:

Bush or screw trivalent blue passivated steel or bright stainless steel.

Sample order:

K0274.1057X20 (cap colour colza yellow; include length L)

Note:

Δ Add the desired cap colour here.
No colour code is required for black grey caps.



KIPP Wing grips with internal thread

Order No. steel	Order No. stainless steel	A	B	D	D2	H	H1	T
K0274.904Δ	K0274.0904Δ	38	4,5	M4	12	18	8,5	10
K0274.905Δ	K0274.0905Δ	38	4,5	M5	12	18	8,5	10
K0274.906Δ	K0274.0906Δ	38	4,5	M6	12	18	8,5	10
K0274.105Δ	K0274.0105Δ	50	5	M5	14	24	11,5	10
K0274.106Δ	K0274.0106Δ	50	5	M6	14	24	11,5	10
K0274.208Δ	K0274.0208Δ	75	7	M8	21	35,6	16,5	14
K0274.210Δ	K0274.0210Δ	75	7	M10	21	35,6	16,5	14

KIPP Wing grips with external thread

Order No. steel	Order No. stainless steel	A	B	D	D2	H	H1	L
K0274.904ΔX	K0274.0904ΔX	38	4,5	M4	12	18	8,5	10/15
K0274.905ΔX	K0274.0905ΔX	38	4,5	M5	12	18	8,5	15/20/30
K0274.906ΔX	K0274.0906ΔX	38	4,5	M6	12	18	8,5	20/30/40
K0274.105ΔX	K0274.0105ΔX	50	5	M5	14	24	11,5	15/20
K0274.106ΔX	K0274.0106ΔX	50	5	M6	14	24	11,5	20/30/40
K0274.108ΔX	K0274.0108ΔX	50	5	M8	14	24	11,5	20/30/40
K0274.208ΔX	K0274.0208ΔX	75	7	M8	21	35,6	16,5	20/30/40
K0274.210ΔX	K0274.0210ΔX	75	7	M10	21	35,6	16,5	20/30/40/50

Wing grips antibacterial

metal parts stainless steel



Material:
Thermoplastic, slate grey.
Bush and screw stainless steel 1.4305.

Version:
Bush and screw bright.

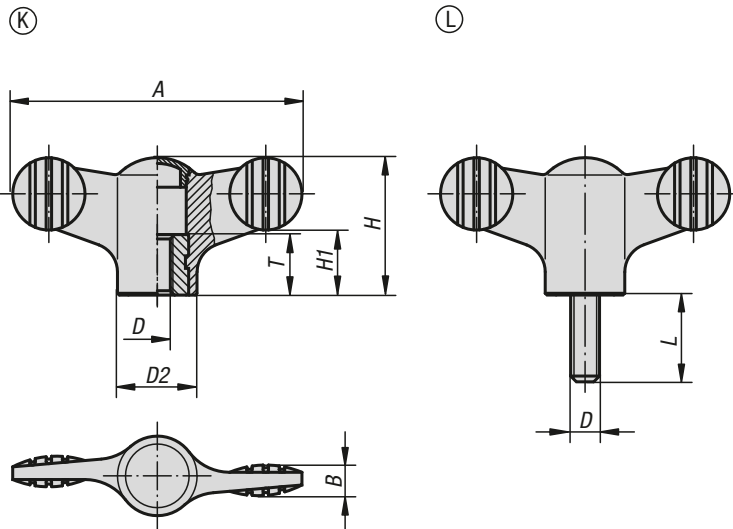
Sample order:
K0274.120106144X20

Application:
The antibacterial KIPP MEDI grip products are highly effective against a variety of hazardous microorganisms, such as bacteria, fungi and even multi-resistant bacteria (e.g. MRSA). The plastic used incorporates micro-silver particles with an antimicrobial effect to ensure effective results throughout the entire product life cycle.

Function:
The growth of harmful micro-organisms on the product surface is effectively disrupted by means of silver ions, and the existing germs on MEDI grip products are consistently reduced (as tested and confirmed by an accredited testing laboratory). During cleaning cycles the risk of infection through touching these products is significantly lower.

Advantages:
Resistant to humidity and cleaning products (during disinfection) with no toxic side effects.

Applications:
For installation on machines, equipment, plants and furnishings in areas with increased hygienic requirements (including hospitals, doctors' surgeries, rehabilitation centres and food production facilities), as well as for use in public areas or regularly frequented institutions (i.e. nursing homes or daycare centres).



KIPP Wing grips antibacterial internal thread, metal parts stainless steel

Order No.	Form	D	A	B	D2	H	H1	T
K0274.120106144	K	M6	50	5	14	24	11,5	10

KIPP Wing grips antibacterial external thread, metal parts stainless steel

Order No.	Form	D	A	B	D2	H	H1	L
K0274.120106144X20	L	M6	50	5	14	24	11,5	20

Wing grips antistatic



Material:
Thermoplastic, graphite black.
Bush or screw steel 5.8.

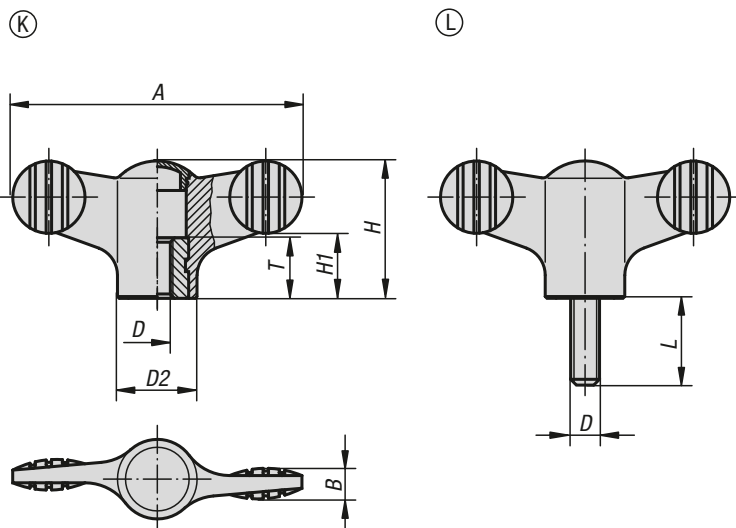
Version:
Screw blue passivated.

Sample order:
K0274.1110624X20

Application:
Sensitive electrical or electronic equipment, components and devices (ESD sensitive elements) may be damaged or destroyed by electrostatic discharges (ESD) in the immediate vicinity.
Electrostatic discharges can come from people or through handling ESD sensitive components (e.g. during production, assembly, transport, storage etc).
Electrically conductive products which conform to DIN EN 61340-5-1 are essential within electronic environments to prevent an electrostatic discharge.
These products can be used for ESD applications or in ESD protection areas (EPA) in accordance with DIN EN 61340-5-1.

Safety:
These ESD products can also be used for devices, components and protection systems in areas with high risk of explosion.
Use of these ESD products prevents the occurrence of electrostatic spark discharges, eliminating the potential ignition of gases and dusts which could lead to explosions in enclosed spaces.
Manufacturers and operators must use and conform to ATEX directives for the protection of persons working in areas with high risk of explosion.
These ESD products are certified by TÜV-Süd in relation to their electrical discharge capability.

Target groups:
Device manufacturers required to conform to ATEX product directive 2014/34/EU.
Operators required to conform to ATEX worker protection directive 1999/92/EC.



KIPP Wing grips antistatic with internal thread

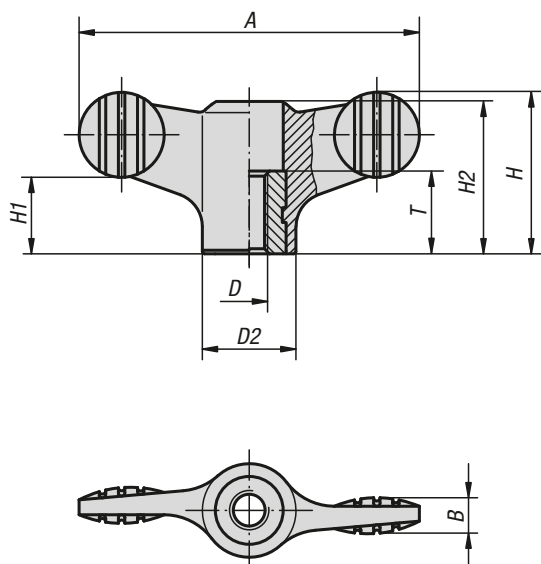
Order No.	Form	A	B	D	D2	H	H1	T
K0274.1110624	K	50	5	M6	14	24	11,5	10

KIPP Wing grips antistatic with external thread

Order No.	Form	A	B	D	D2	H	H1	L
K0274.1110624X20	L	50	5	M6	14	24	11,5	20

Wing grips

tapped through



Material:

Grip thermoplastic.
Bush steel 5.8 or stainless steel 1.4305.

Version:

Grip black grey.
Bush trivalent blue passivated steel or bright stainless steel.

Sample order:

K0274.1904

KIPP Wing grips with tapped through bush

Order No.	Component material	A	B	D	D2	H	H1	H2	T
K0274.1904	steel	38	4,5	M4	12	18	8,5	16,1	10
K0274.1905	steel	38	4,5	M5	12	18	8,5	16,1	10
K0274.1906	steel	38	4,5	M6	12	18	8,5	16,1	10
K0274.1105	steel	50	5	M5	14	24	11,5	22	10
K0274.1106	steel	50	5	M6	14	24	11,5	22	10
K0274.1208	steel	75	7	M8	21	35,6	17	33,3	14
K0274.1210	steel	75	7	M10	21	35,6	17	33,3	14
K0274.10904	stainless steel	38	4,5	M4	12	18	8,5	16,1	10
K0274.10905	stainless steel	38	4,5	M5	12	18	8,5	16,1	10
K0274.10906	stainless steel	38	4,5	M6	12	18	8,5	16,1	10
K0274.10105	stainless steel	50	5	M5	14	24	11,5	22	10
K0274.10106	stainless steel	50	5	M6	14	24	11,5	22	10
K0274.10208	stainless steel	75	7	M8	21	35,6	17	33,3	14
K0274.10210	stainless steel	75	7	M10	21	35,6	17	33,3	14

Wing grips

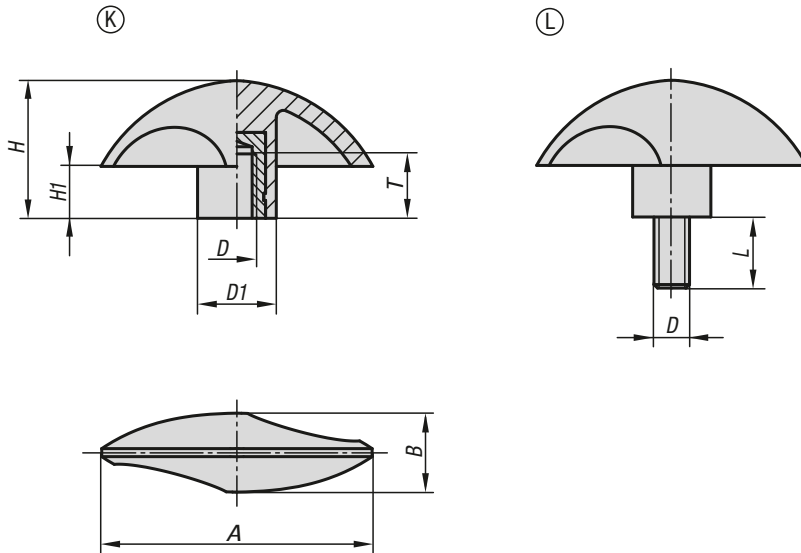


Material:
 Grip polyamide, glass bead reinforced.
 Bush brass or steel.
 Screw steel.

Version:
 Steel electro zinc-plated.

Sample order:
 K0783.15006

Note:
 Temperature resistance from -50 °C to 130 °C.
 Resistant to common chemicals and oils.



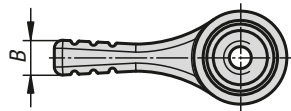
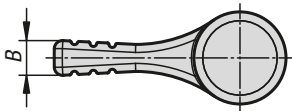
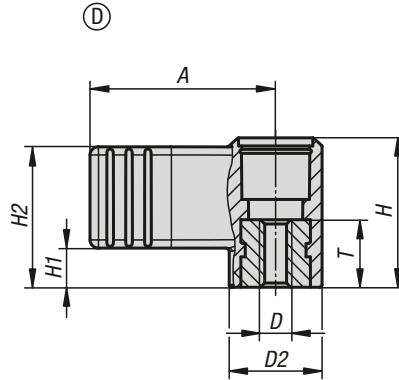
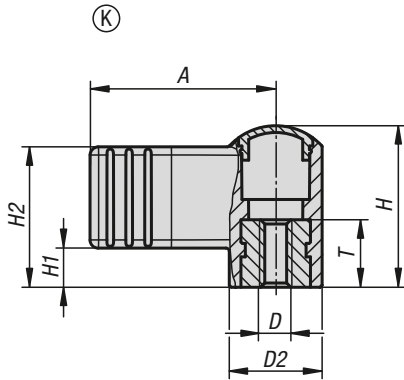
KIPP Wing grips with internal thread

Order No.	Form	A	B	D	D1	H	H1	T
K0783.15006	K	51	15	M6	15	25,5	9,5	14
K0783.16008	K	61,5	18	M8	18	31	11,5	14
K0783.17510	K	76	22	M10	22	38,5	14,5	14

KIPP Wing grips with external thread

Order No.	Form	A	B	D	D1	H	H1	L
K0783.25006X15	L	51	15	M6	15	25,5	9,5	15
K0783.26008X20	L	61,5	18	M8	18	31	11,5	20
K0783.27510X20	L	76	22	M10	22	38,5	14,5	20

Wing grips one-sided



Material:
Thermoplastic.
Bush steel 5.8 or stainless steel 1.4305.

Version:
Grip black grey.
Bush trivalent blue passivated steel or bright stainless steel.

Sample order:
K0608.09046 (Bush M4 stainless steel, cap traffic red.)

Note:
Δ Add the desired cap colour here.
No colour code is required for black grey caps.

Drawing reference:
Form K with cap.
Form D without cap.



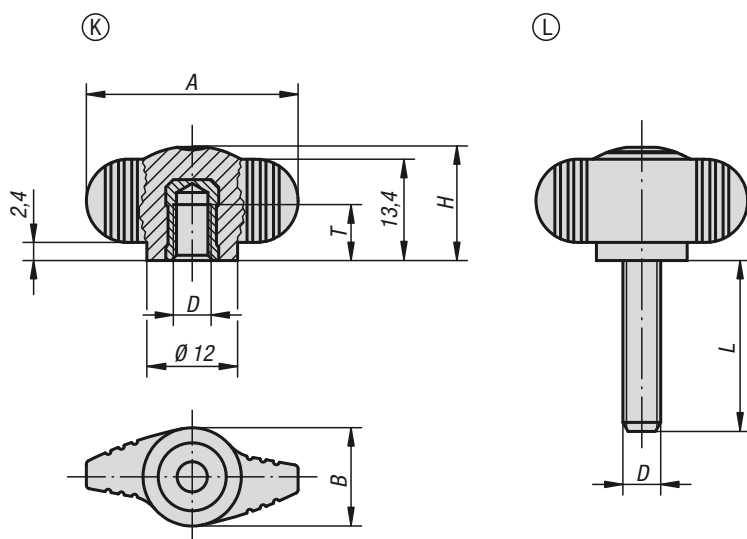
KIPP Wing grips, one-sided without cap

Order No. steel	Order No. stainless steel	Form	A	B	D	D2	H	H1	H2	T
K0608.1904	K0608.10904	D	22	4,4	M4	12	16,1	4,5	15,5	10
K0608.1905	K0608.10905	D	22	4,4	M5	12	16,1	4,5	15,5	10
K0608.1906	K0608.10906	D	22	4,4	M6	12	16,1	4,5	15,5	10
K0608.1105	K0608.10105	D	27,5	5,1	M5	14	22,1	5,8	20,8	10
K0608.1106	K0608.10106	D	27,5	5,1	M6	14	22,1	5,8	20,8	10
K0608.1208	K0608.10208	D	37,5	6,3	M8	21	33,3	8,5	30,5	14
K0608.1210	K0608.10210	D	37,5	6,3	M10	21	33,3	8,5	30,5	14

KIPP Wing grips, one-sided with cap

Order No. steel	Order No. stainless steel	Form	D	D2	A	B	H	H1	H2	T
K0608.904Δ	K0608.0904Δ	K	M4	12	22	4,4	18	4,5	15,5	10
K0608.905Δ	K0608.0905Δ	K	M5	12	22	4,4	18	4,5	15,5	10
K0608.906Δ	K0608.0906Δ	K	M6	12	22	4,4	18	4,5	15,5	10
K0608.105Δ	K0608.0105Δ	K	M5	14	27,5	5,1	24	5,8	20,8	10
K0608.106Δ	K0608.0106Δ	K	M6	14	27,5	5,1	24	5,8	20,8	10
K0608.208Δ	K0608.0208Δ	K	M8	21	37,5	6,3	36	8,5	30,5	14
K0608.210Δ	K0608.0210Δ	K	M10	21	37,5	6,3	36	8,5	30,5	14

Wing grips "Miniwing"



Material:
 Grip black grey thermoplastic.
 Bush brass or stainless steel 1.4305.
 Screw steel 5.8 or stainless steel 1.4305.

Version:
 Steel trivalent blue passivated.
 Stainless steel, bright.

Sample order:
 K0274.005X10 (include length L)

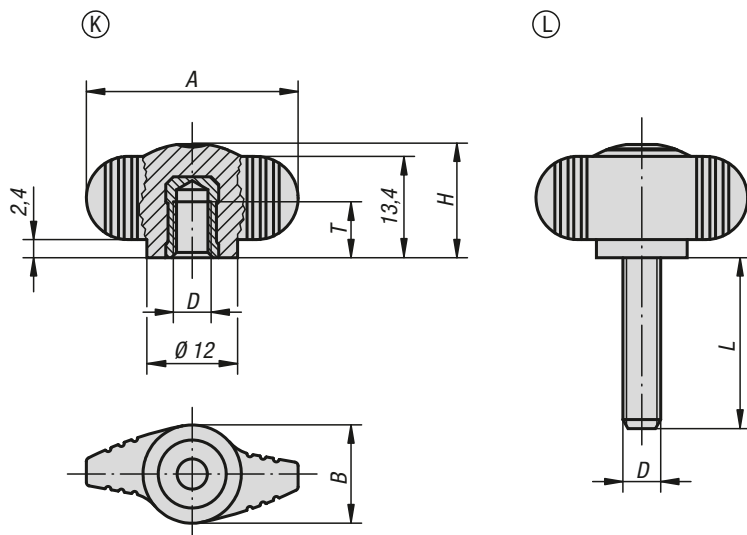
KIPP Wing grips "Miniwing" with internal thread

Order No.	Form	Component material	A	B	D	H	T
K0274.004	K	brass	28	13	M4	15	6
K0274.005	K	brass	28	13	M5	15	7,5
K0274.006	K	brass	28	13	M6	15	9
K0274.0004	K	stainless steel	28	13	M4	15	6
K0274.0005	K	stainless steel	28	13	M5	15	7,5
K0274.0006	K	stainless steel	28	13	M6	15	9

KIPP Wing grips "Miniwing" with external thread

Order No. steel	Order No. stainless steel	Form	A	B	D	H	L
K0274.004X	K0274.0004X	L	28	13	M4	15	8
K0274.005X	K0274.0005X	L	28	13	M5	15	10/15/20
K0274.006X	K0274.0006X	L	28	13	M6	15	10/15/20/25/30
K0274.008X	K0274.0008X	L	28	13	M8	15	20/25/30/40

Wing grips "Miniwing" biopolymer



Material:

Biopolymer, bush.
Bush brass. Screw 5.8 steel.

Version:

Screw trivalent blue passivated.
Natural beech with beech fibres or coloured black grey.

Sample order:

K0274.1000690

Advantages:

This biopolymer is manufactured entirely from renewable raw materials (oil free).
Conservation of finite fossil resources.
The wood fibres originate 100% from local, sustainably managed forests in Germany.

Features:

Excellent mechanical stability (certified with a minimum of 2x safety factor).
Biopolymer is suitable for recycling (comparable to thermoplastics).
Suitable for outdoor use (not biodegradable).
Excellent resistance to strong acids and lyes.
Short-term resistance to alcohol, fuel, mineral oil and grease.

KIPP Wing grips "Miniwing" with internal thread

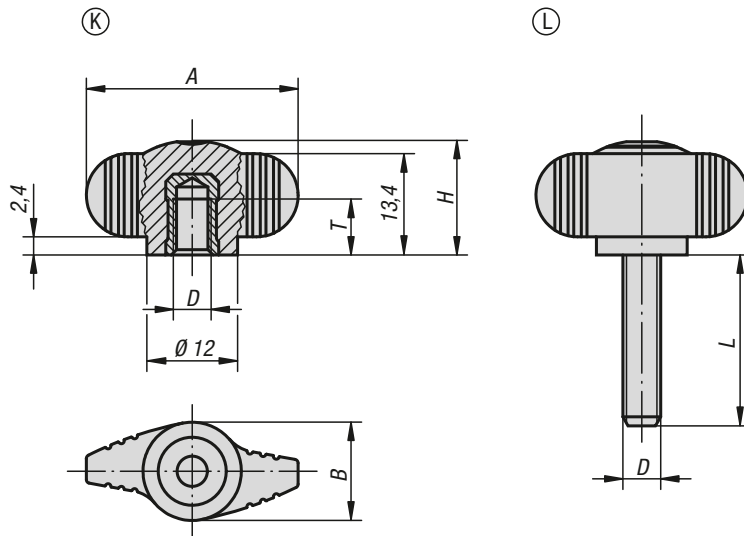
Order No.	Form	Main colour	D	A	B	H	T
K0274.1000490	K	black grey RAL 7021	M4	28	13	15	6
K0274.10004143	K	natural beech	M4	28	13	15	6
K0274.1000590	K	black grey RAL 7021	M5	28	13	15	7,5
K0274.10005143	K	natural beech	M5	28	13	15	7,5
K0274.1000690	K	black grey RAL 7021	M6	28	13	15	9
K0274.10006143	K	natural beech	M6	28	13	15	9

KIPP Wing grips "Miniwing" external thread

Order No.	Form	Main colour	A	B	D	H	L
K0274.1000490X8	L	black grey RAL 7021	28	13	M4	15	8
K0274.10004143X8	L	natural beech	28	13	M4	15	8
K0274.1000590X15	L	black grey RAL 7021	28	13	M5	15	15
K0274.10005143X15	L	natural beech	28	13	M5	15	15
K0274.1000690X15	L	black grey RAL 7021	28	13	M6	15	15
K0274.10006143X15	L	natural beech	28	13	M6	15	15
K0274.1000890X20	L	black grey RAL 7021	28	13	M8	15	20
K0274.10008143X20	L	natural beech	28	13	M8	15	20

Wing grips "Miniwing" antibacterial

metal parts stainless steel



Material:

Thermoplastic, slate grey.
Bush and screw stainless steel 1.4305.

Version:

Bush and screw bright.

Sample order:

K0274.120006144

Application:

The antibacterial KIPP MEDI grip products are highly effective against a variety of hazardous microorganisms, such as bacteria, fungi and even multi-resistant bacteria (e.g. MRSA). The plastic used incorporates micro-silver particles with an antimicrobial effect to ensure effective results throughout the entire product life cycle.

Function:

The growth of harmful micro-organisms on the product surface is effectively disrupted by means of silver ions, and the existing germs on MEDI grip products are consistently reduced (as tested and confirmed by an accredited testing laboratory). During cleaning cycles the risk of infection through touching these products is significantly lower.

Advantages:

Resistant to humidity and cleaning products (during disinfection) with no toxic side effects.

Applications:

For installation on machines, equipment, plants and furnishings in areas with increased hygienic requirements (including hospitals, doctors' surgeries, rehabilitation centres and food production facilities), as well as for use in public areas or regularly frequented institutions (i.e. nursing homes or daycare centres).

KIPP Wing grips "Miniwing" antibacterial internal thread, metal parts stainless steel

Order No.	Form	A	B	D	H	T
K0274.120006144	K	28	13	M6	15	9

KIPP Wing grips "Miniwing" antibacterial external thread, metal parts stainless steel

Order No.	Form	A	B	D	H	L
K0274.120006144X15	L	28	13	M6	15	15

Wing grips "Miniwing" antistatic



Material:
Thermoplastic, graphite black.
Bush brass or threaded pins steel 5.8.

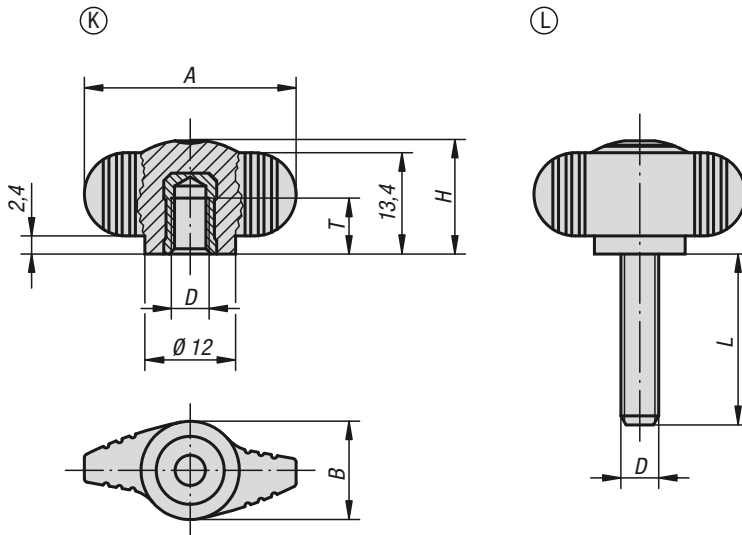
Version:
Screw blue passivated.

Sample order:
K0274.1100624X15

Application:
Sensitive electrical or electronic equipment, components and devices (ESD sensitive elements) may be damaged or destroyed by electrostatic discharges (ESD) in the immediate vicinity. Electrostatic discharges can come from people or through handling ESD sensitive components (e.g. during production, assembly, transport, storage etc). Electrically conductive products which conform to DIN EN 61340-5-1 are essential within electronic environments to prevent an electrostatic discharge. These products can be used for ESD applications or in ESD protection areas (EPA) in accordance with DIN EN 61340-5-1.

Safety:
These ESD products can also be used for devices, components and protection systems in areas with high risk of explosion. Use of these ESD products prevents the occurrence of electrostatic spark discharges, eliminating the potential ignition of gases and dusts which could lead to explosions in enclosed spaces. Manufacturers and operators must use and conform to ATEX directives for the protection of persons working in areas with high risk of explosion. These ESD products are certified by TÜV-Süd in relation to their electrical discharge capability.

Target groups:
Device manufacturers required to conform to ATEX product directive 2014/34/EU.
Operators required to conform to ATEX worker protection directive 1999/92/EC.



KIPP Wing grips "Miniwing" antistatic with internal thread

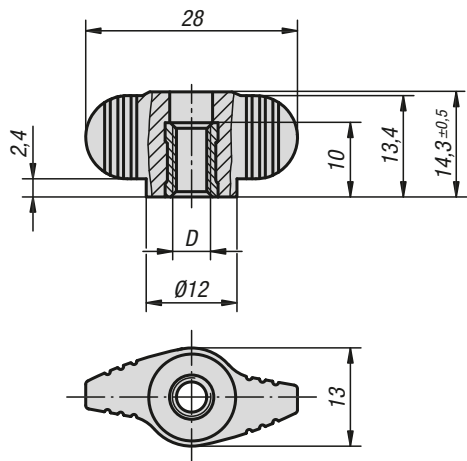
Order No.	A	B	D	H	T
K0274.1100624	28	13	M6	15	9

KIPP Wing grips "Miniwing" antistatic with external thread

Order No.	A	B	D	H	L
K0274.1100624X15	28	13	M6	15	15

Wing grips "Miniwing"

tapped through



Material:

Grip thermoplastic.
 Bush steel 5.8 or stainless steel 1.4305.

Version:

Grip black grey.
 Steel trivalent blue passivated.
 Stainless steel bright.

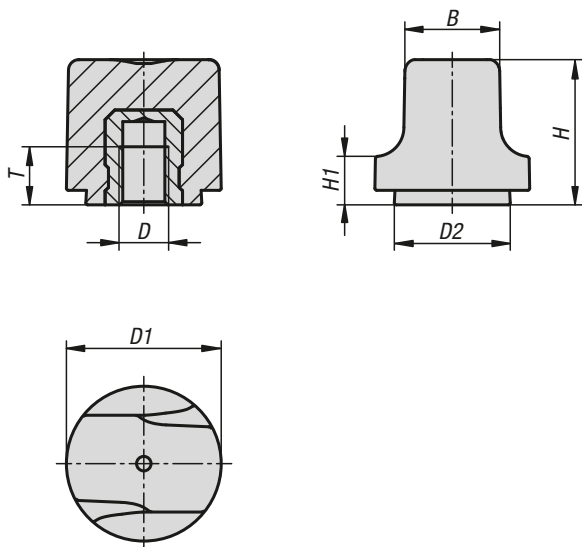
Sample order:

K0658.1004

KIPP Wing grips "Miniwing" with tapped through bush

Order No.	Component material	D
K0658.1004	steel	M4
K0658.1005	steel	M5
K0658.1006	steel	M6
K0658.10004	stainless steel	M4
K0658.10005	stainless steel	M5
K0658.10006	stainless steel	M6

Grip nuts



Material:

Thermoplastic black.
Bush steel, stainless steel or brass.

Version:

Bush blue passivated steel, stainless steel and brass bright.

Sample order:

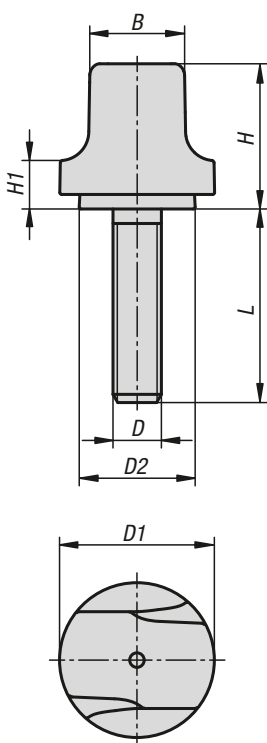
K1126.103



KIPP Grip nuts

Order No.	Component material	B	D	D1	D2	H	H1	T
K1126.103	brass	10	M3	16	12	15	5	4,5
K1126.104	brass	10	M4	16	12	15	5	6
K1126.204	brass	12,3	M4	20	15	18,5	6	6
K1126.205	brass	12,3	M5	20	15	18,5	6	6
K1126.305	steel	15,3	M5	25	18,7	22,9	7,3	8,5
K1126.306	steel	15,3	M6	25	18,7	22,9	7,3	9
K1126.1003	stainless steel	10	M3	16	12	15	5	4,5
K1126.1004	stainless steel	10	M4	16	12	15	5	6
K1126.2004	stainless steel	12,3	M4	20	15	18,5	6	6
K1126.2005	stainless steel	12,3	M5	20	15	18,5	6	6
K1126.3005	stainless steel	15,3	M5	25	18,7	22,9	7,3	8,5
K1126.3006	stainless steel	15,3	M6	25	18,7	22,9	7,3	9

Grip screws



Material:

Thermoplastic black. Screw steel or stainless steel.

Version:

Screw blue passivated steel or bright stainless steel.

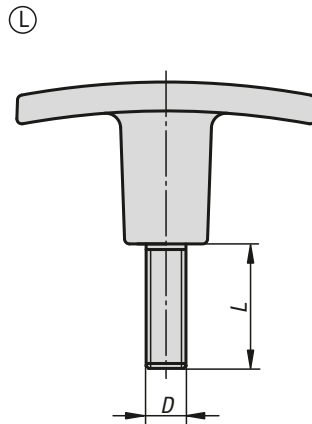
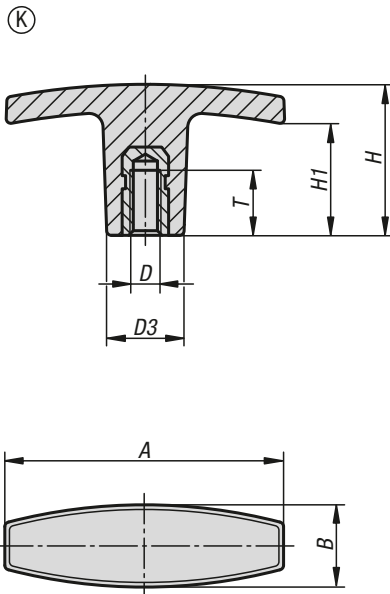
Sample order:

K1126.103X8 (include length L.)

KIPP Grip screws

Order No. steel	Order No. stainless steel	B	D	D1	D2	H	H1	L
K1126.103X	K1126.1003X	10	M3	16	12	15	5	8/10/12/15
K1126.104X	K1126.1004X	10	M4	16	12	15	5	10/15/20
K1126.105X	K1126.1005X	10	M5	16	12	15	5	10/15/20
K1126.204X	K1126.2004X	12,3	M4	20	15	18,5	6	10/15/20
K1126.205X	K1126.2005X	12,3	M5	20	15	18,5	6	10/15/20/25
K1126.206X	K1126.2006X	12,3	M6	20	15	18,5	6	10/15/20/25
K1126.305X	K1126.3005X	15,3	M5	25	18,7	22,9	7,3	10/15/20/25
K1126.306X	K1126.3006X	15,3	M6	25	18,7	22,9	7,3	10/15/20/25
K1126.308X	K1126.3008X	15,3	M8	25	18,7	22,9	7,3	15/20/25/30

T-grips

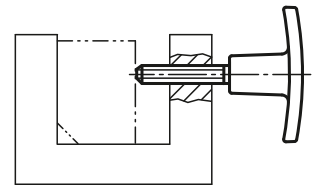


Material:
Fibreglass reinforced thermoplastic.
Tapped bush brass.
Screw steel.

Version:
Grip, black.
Screw electro zinc-plated.

Sample order:
K0180.25005X15 (include length L)

On request:
Grip colour red, yellow, green, blue, white or grey (min. quantity 1000).



KIPP T-grips, with internal thread

Order No.	Form	A	B	D	D3	H	H1	T
K0180.14005	K	40	13	M5	13	30,5	20	10
K0180.15005	K	50	15	M5	14	24	16	10
K0180.16006	K	60	17	M6	16	31,5	23	12
K0180.17108	K	71	19,5	M8	20	36	19	20
K0180.17110	K	71	19,5	M10	20	36	19	20
K0180.18010	K	80	26	M10	26	39,5	26	25
K0180.18012	K	80	26	M12	26	39,5	26	25

KIPP T-grips, with external thread

Order No.	Form	A	B	D	D3	H	H1	L
K0180.24005X	L	40	13	M5	13	30,5	20	15
K0180.25005X	L	50	15	M5	14	24	16	15/20
K0180.26006X	L	60	17	M6	16	31,5	23	20/25
K0180.27108X	L	71	19,5	M8	20	36	19	20/30
K0180.27110X	L	71	19,5	M10	20	36	19	20/30
K0180.28010X	L	80	26	M10	26	39,5	26	30
K0180.28012X	L	80	26	M12	26	39,5	26	40

T-grips

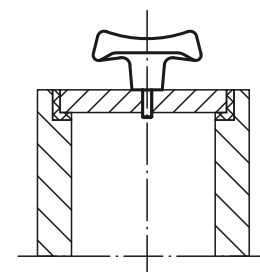
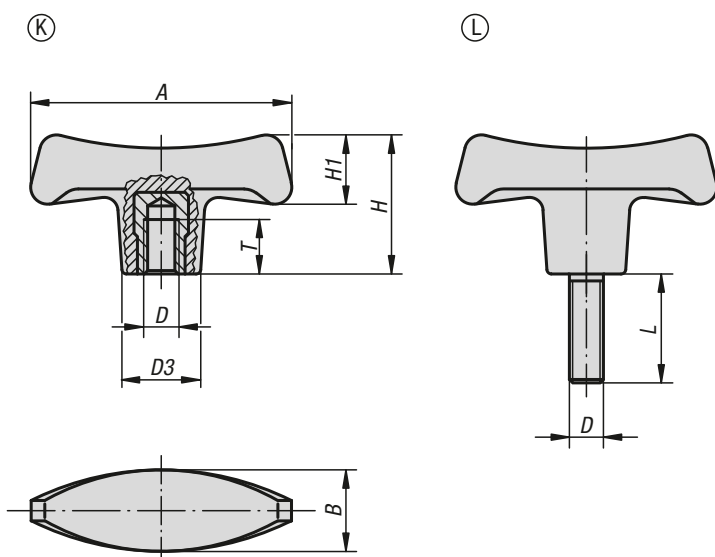


Material:
Thermoset PF 31, black.
Steel bush and stud, electro zinc-plated.

Version:
High-gloss polished.

Sample order:
K0181.27006X18 (include length L)

On request:
Other screw sizes, screw lengths and colours.



KIPP T-grips, with internal thread

Order No.	Form	A	B	D	D3	H	H1	T
K0181.17006	K	70	22	M6	19,6	38,8	20,2	12
K0181.17008	K	70	22	M8	19,6	38,8	20,2	14
K0181.17010	K	70	22	M10	19,6	38,8	20,2	14
K0181.18008	K	80	25	M8	22,3	44	23	14
K0181.18010	K	80	25	M10	22,3	44	23	22
K0181.19010	K	90	28	M10	25	49,6	26	22
K0181.19012	K	90	28	M12	25	49,6	26	21

KIPP T-grips, with external thread

Order No.	Form	A	B	D	D3	H	H1	L
K0181.27006X	L	70	22	M6	19,6	38,8	20,2	18
K0181.27008X	L	70	22	M8	19,6	38,8	20,2	24
K0181.28010X	L	80	25	M10	22,3	44	23	20/30
K0181.29010X	L	90	28	M10	25	49,6	26	30
K0181.29012X	L	90	28	M12	25	49,6	26	24

T-grips stainless steel



Material:

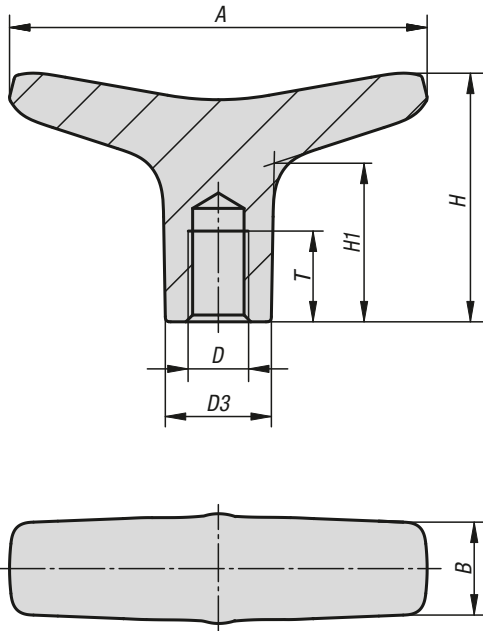
Stainless steel 1.4308.

Version:

Electropolished or blasted.

Sample order:

K1203.55061

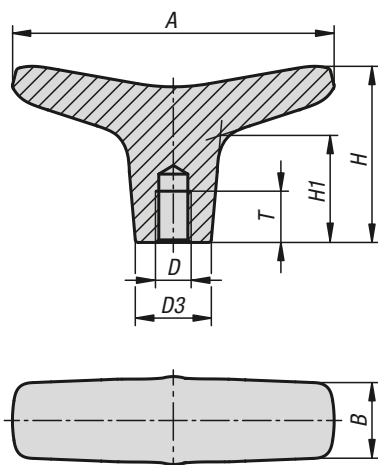


KIPP T-grips, stainless steel

Order No.	Surface finish body	A	B	D	D3	H	H1	T
K1203.55061	blasted	55,2	12,3	M6	14	32,9	21	12
K1203.55081	blasted	55,2	12,3	M8	14	32,9	21	12
K1203.65061	blasted	65,3	14	M6	16	37	22,7	16
K1203.65081	blasted	65,3	14	M8	16	37	22,7	16
K1203.65101	blasted	65,3	14	M10	16	37	22,7	16
K1203.75101	blasted	75,3	17,8	M10	20	41,2	24,9	16
K1203.75121	blasted	75,3	17,8	M12	20	41,2	24,9	16
K1203.55062	electropolished	55,2	12,3	M6	14	32,9	21	12
K1203.55082	electropolished	55,2	12,3	M8	14	32,9	21	12
K1203.65062	electropolished	65,3	14	M6	16	37	22,7	16
K1203.65082	electropolished	65,3	14	M8	16	37	22,7	16
K1203.65102	electropolished	65,3	14	M10	16	37	22,7	16
K1203.75102	electropolished	75,3	17,8	M10	20	41,2	24,9	16
K1203.75122	electropolished	75,3	17,8	M12	20	41,2	24,9	16

T-grips with female thread in stainless steel

for Hygienic USIT® sealing and shim washer Freudenberg Process Seals



Material:

Stainless steel 1.4404.

Version:

High-gloss polished.

Sample order:

K1515.5505

Note:

The complete surface is polished to a high gloss with a surface finish of Ra 0.8 µm. This means that dirt and impurities can hardly adhere. Easy cleaning is ensured. The Hygienic USIT® sealing and shim washers from Freudenberg Process are used to seal the fastening point. The shaft of the T-grip is specially designed to suit this seal. A cavity-free seal of the fastening point is created, which satisfies hygienic regulations.

On request:

Other thread depths, inch threads, male threads.

Accessories:

Hygienic USIT® sealing and shim washer K1491 for the screw-on surface.

KIPP T-grips with female thread in stainless steel for Hygienic USIT® sealing and shim washer Freudenberg Process Seals

Order No.	A	B	D	D3	H	H1	T
K1515.5505	55,2	12,3	M5	11,65	32,9	21	7,5
K1515.6506	65,3	14	M6	14	37	22,7	9
K1515.7508	75,3	17,7	M8	17,8	41,2	24,9	12

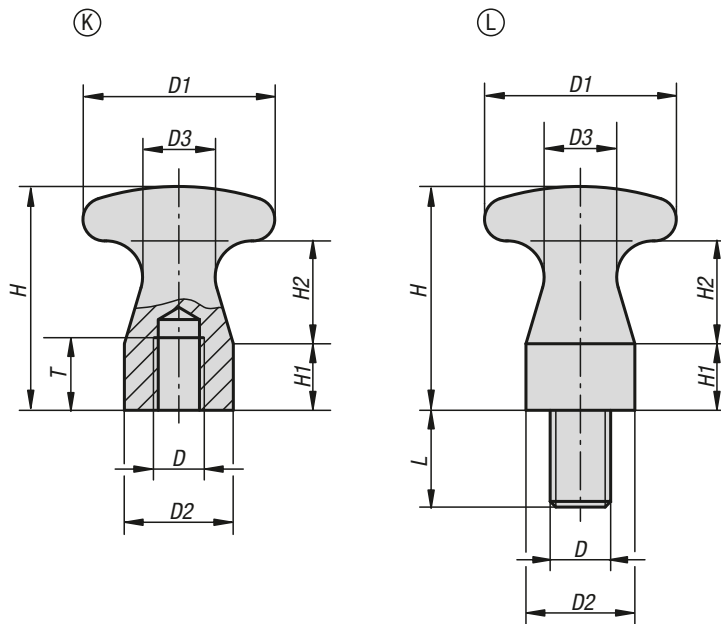
Knobs flat



Material:
Steel.

Version:
Black oxidised.

Sample order:
K0157.08



KIPP Knobs flat, internal thread

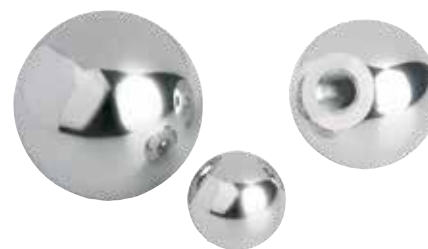
Order No.	Form	D	D1	D2	D3	H	H1	H2	T
K0157.05	K	M5	16	10	6	18	5	9	7
K0157.06	K	M6	25	14	10	29	9	13	9
K0157.08	K	M8	32	18	12	37	11	17	12
K0157.10	K	M10	36	20	13	42	12	20	15

KIPP Knobs flat, external thread

Order No.	Form	D	D1	D2	D3	H	H1	H2	L
K0157.06010	L	M6	16	10	6	18	5	9	10
K0157.08014	L	M8	25	14	10	29	9	13	14
K0157.10016	L	M10	32	18	12	37	11	17	16
K0157.12018	L	M12	36	20	13	42	12	20	18

Ball knobs

stainless steel or aluminium, DIN 319

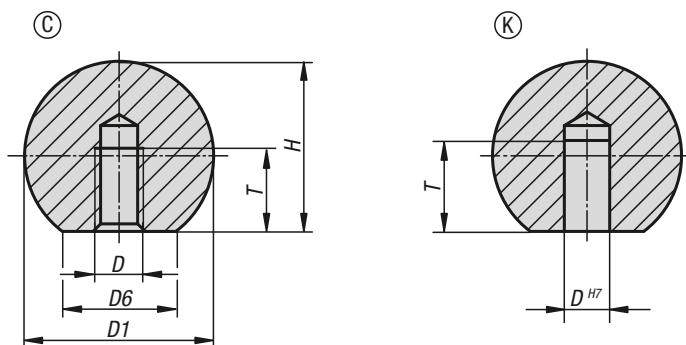


Material:
Stainless steel 1.4301, 1.4305 or aluminium.

Version:
Polished.

Sample order:
K0650.116043

Drawing reference:
Form C: tapped hole
Form K: reamed hole



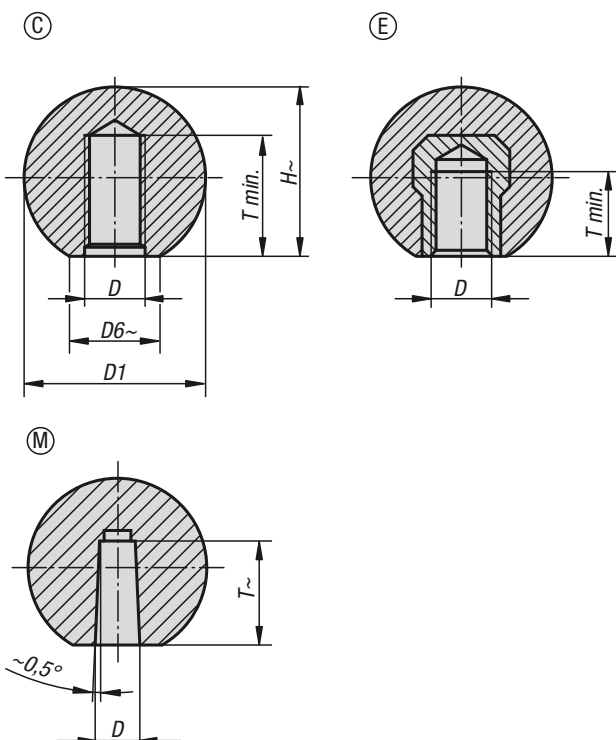
KIPP Ball Knobs, stainless steel or aluminium to DIN 319

Order No.	Form	Form-Type	Main material	Steel code	D	D1	D6	H	T
K0650.116044	C	with internal thread	stainless steel	1.4301	M4	16	8	15	7,2
K0650.120054	C	with internal thread	stainless steel	1.4301	M5	20	12	18	9,1
K0650.125064	C	with internal thread	stainless steel	1.4301	M6	25	15	22,5	11
K0650.132084	C	with internal thread	stainless steel	1.4301	M8	32	18	29	14,5
K0650.140104	C	with internal thread	stainless steel	1.4301	M10	40	22	37	18
K0650.150124	C	with internal thread	stainless steel	1.4301	M12	50	28	46	21
K0650.116042	C	with internal thread	aluminium	-	M4	16	8	15	7,2
K0650.120052	C	with internal thread	aluminium	-	M5	20	12	18	9,1
K0650.125062	C	with internal thread	aluminium	-	M6	25	15	22,5	11
K0650.132082	C	with internal thread	aluminium	-	M8	32	18	29	14,5
K0650.140102	C	with internal thread	aluminium	-	M10	40	22	37	18
K0650.150122	C	with internal thread	aluminium	-	M12	50	28	46	21

Order No.	Form	Form-Type	Main material	Steel code	D	D1	D6	H	T
K0650.316043	K	with reamed hole	stainless steel	1.4305	6	16	8	15	10
K0650.320053	K	with reamed hole	stainless steel	1.4305	8	20	12	18	12
K0650.325063	K	with reamed hole	stainless steel	1.4305	10	25	15	22,5	16
K0650.332083	K	with reamed hole	stainless steel	1.4305	12	32	18	29	20
K0650.340103	K	with reamed hole	stainless steel	1.4305	16	40	22	37	25
K0650.350123	K	with reamed hole	stainless steel	1.4305	20	50	28	46	32
K0650.316042	K	with reamed hole	aluminium	-	6	16	8	15	10
K0650.320052	K	with reamed hole	aluminium	-	8	20	12	18	12
K0650.325062	K	with reamed hole	aluminium	-	10	25	15	22,5	16
K0650.332082	K	with reamed hole	aluminium	-	12	32	18	29	20
K0650.340102	K	with reamed hole	aluminium	-	16	40	22	37	25
K0650.350122	K	with reamed hole	aluminium	-	20	50	28	46	32

Ball knobs

thermoplastic, DIN 319 enhanced



Material:
Black thermoplastic.
Bush steel.

Version:
Steel electro zinc-plated.

Sample order:
K0158.11604

On request:
Other colours.

Drawing reference:
Form C: plastic thread
Form E: tapped bush
Form M: tapered hole

KIPP Ball knobs thermoplastic DIN 319 enhanced

Order No.	Form	D	D1	D6	H	T
K0158.11604	C	M4	16	8	15	6
K0158.11605	C	M5	16	8	15	7,5
K0158.12005	C	M5	20	12	18	7,5
K0158.12006	C	M6	20	12	18	9
K0158.12506	C	M6	25	15	22,5	9
K0158.12508	C	M8	25	15	22,5	12
K0158.13208	C	M8	32	18	29	12
K0158.13210	C	M10	32	18	29	15
K0158.14010	C	M10	40	22	37	15
K0158.14012	C	M12	40	22	37	15
K0158.22005	E	M5	20	12	18	7,5
K0158.22006	E	M6	20	12	18	7,5
K0158.22506	E	M6	25	15	22,5	9
K0158.22508	E	M8	25	15	22,5	9
K0158.23208	E	M8	32	18	29	12
K0158.23210	E	M10	32	18	29	12
K0158.32005	M	5	20	12	18	12
K0158.32506	M	6	25	15	22,5	15
K0158.32508	M	8	25	15	22,5	15
K0158.33208	M	8	32	18	29	15
K0158.33210	M	10	32	18	29	15
K0158.34010	M	10	40	22	37	20
K0158.34012	M	12	40	22	37	20

Ball knobs smooth

DIN 319 enhanced



Material:
Thermoset PF 31, black or red.
Bush electro zinc-plated steel.

Version:
High-gloss polished.

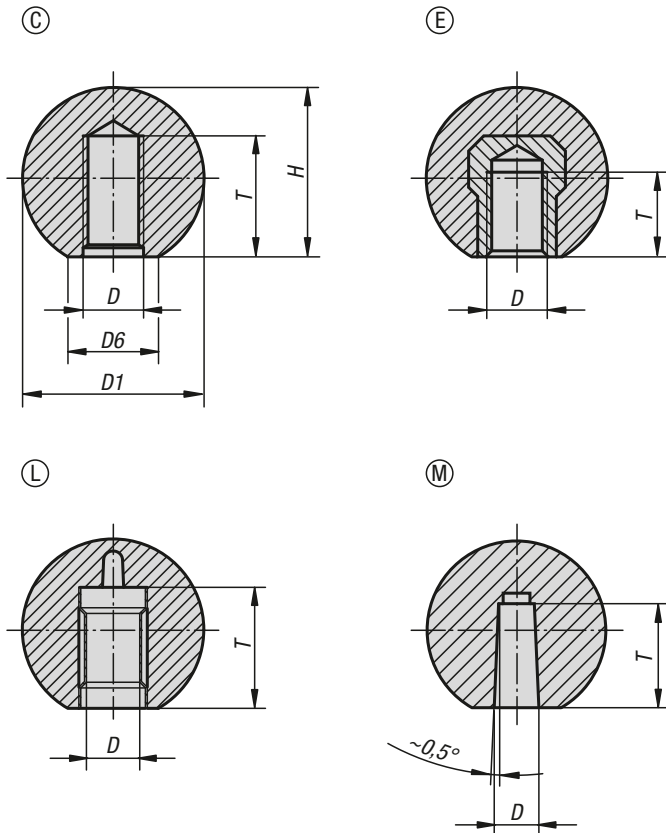
Sample order:
K0159.11604

Assembly:
Assembly, Form L: The ball knobs are installed by tapping lightly with a hammer. Please only use a rubber or plastic hammer with a weight up to 200 g!

The version B0307.21604 has a brass bush.
The versions B0307.23008, B0307.230081, B0307.23508 and B0307.24008 have copper plated steel bushes.

Shank tolerance:
Ball knobs with press-fit sleeve can be mounted on standard shafts with tolerance h9. The supplied press-fit sleeve assures a firm and reliable fit.

Drawing reference:
Form C: moulded thread
Form E: tapped bush
Form L: press-fit sleeve
Form M: tapered hole



KIPP Ball knobs smooth DIN 319 enhanced, Form C, with molded thread

Order No. black	Order No. red	Form	D	D1	D6	H	T
K0159.11604	K0159.116041	C	M4	16	8	15	6
K0159.11605	K0159.116051	C	M5	16	8	15	7,5
K0159.12005	K0159.120051	C	M5	20	12	18	7,5
K0159.11606	-	C	M6	16	8	15	9
K0159.12006	K0159.120061	C	M6	20	12	18	9
K0159.12506	K0159.125061	C	M6	25	15	23	9
K0159.12508	K0159.125081	C	M8	25	15	23	12
K0159.13008	K0159.130081	C	M8	30	16	28	12
K0159.13208	K0159.132081	C	M8	32	18	29	12
K0159.13508	-	C	M8	36	17	33	18
K0159.14008	K0159.140081	C	M8	40	20	37,5	12
K0159.13210	-	C	M10	32	18	29	15
K0159.13510	K0159.135101	C	M10	36	17	33	15
K0159.14010	K0159.140101	C	M10	40	20	37,5	15
K0159.14510	-	C	M10	45	20	43	15
K0159.15010	K0159.150101	C	M10	50	22	48	15
K0159.14012	-	C	M12	40	20	37,5	18
K0159.14512	-	C	M12	45	20	43	18
K0159.15012	K0159.150121	C	M12	50	28	48	18

Ball knobs smooth

DIN 319 enhanced

KIPP Ball knobs smooth DIN 319 enhanced, Form E, with tapped bush

Order No. black	Order No. red	Form	D	D1	D6	H	T
K0159.21604	-	E	M4	16	8	15	6
K0159.22005	K0159.220051	E	M5	20	12	18	7,5
K0159.22006	-	E	M6	20	12	18	9
K0159.22506	K0159.225061	E	M6	25	15	23	9
K0159.22508	-	E	M8	25	15	23	12
K0159.23008	K0159.230081	E	M8	30	16	28	12
K0159.23208	-	E	M8	32	18	29	12
K0159.23508	-	E	M8	36	17	33	14
K0159.24008	-	E	M8	40	20	37,5	14
K0159.23210	-	E	M10	32	18	29	15
K0159.23510	K0159.235101	E	M10	36	17	33	14
K0159.24010	K0159.240101	E	M10	40	20	37,5	15
K0159.24510	-	E	M10	45	20	43	22
K0159.25010	-	E	M10	50	22	48	15
K0159.24012	K0159.240121	E	M12	40	20	37,5	18
K0159.24512	-	E	M12	45	20	43	21
K0159.25012	K0159.250121	E	M12	50	28	48	18

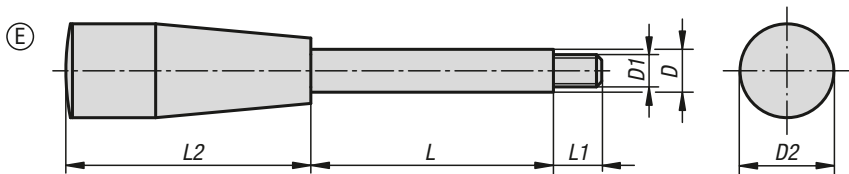
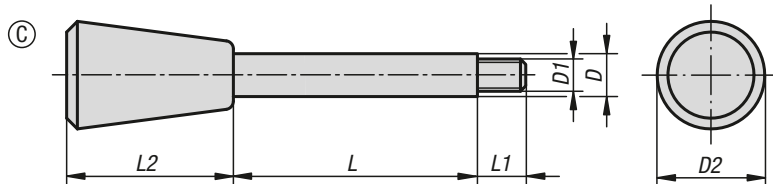
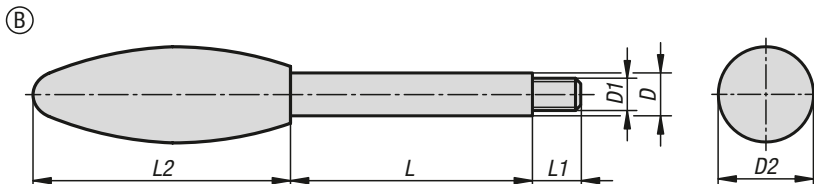
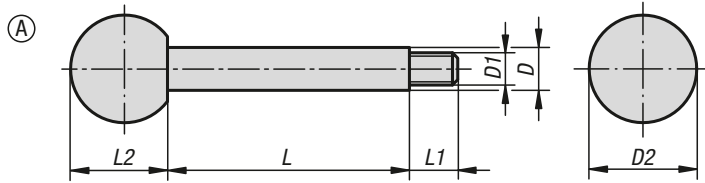
KIPP Ball knobs smooth DIN 319 enhanced, Form L, with clamping sleeve

Order No.	Form	Main colour	D	D1	D6	H	T
K0159.42005	L	black	5	20	12	18	13
K0159.42506	L	black	6	25	15	23	16
K0159.42508	L	black	8	25	15	23	15
K0159.43208	L	black	8	32	18	29	15
K0159.43210	L	black	10	32	18	29	20
K0159.44010	L	black	10	40	20	37,5	20
K0159.44012	L	black	12	40	20	37,5	23
K0159.45012	L	black	12	50	28	48	20

KIPP Ball knobs smooth DIN 319 enhanced, Form M, with tapered bore

Order No.	Form	Main colour	D	D1	D6	H	T
K0159.31604	M	black	4	16	8	15	9
K0159.32005	M	black	5	20	12	18	12
K0159.32506	M	black	6	25	15	23	15
K0159.32508	M	black	8	25	15	23	15
K0159.33208	M	black	8	32	18	29	15
K0159.33210	M	black	10	32	18	29	15
K0159.34010	M	black	10	40	20	37,5	20
K0159.34012	M	black	12	40	20	37,5	20
K0159.35012	M	black	12	50	28	48	22

Handles



Material:

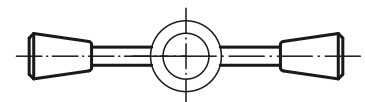
Knobs thermoset PF 31.
Rod steel 1.0718 or stainless steel 1.4305.

Version:

Thermoset black, high-gloss polished.
Steel black oxidised or bright stainless steel.

Sample order:

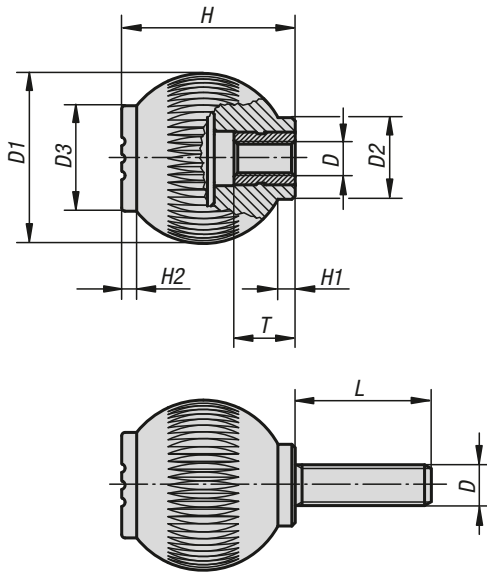
K0179.208X35 (include length L)



KIPP Handles

Order No. steel	Order No. stainless steel	Form	D	D1	D2	L	L1	L2
K0179.208X	K0179.1208X	A	8	M6	20	35/50/65	9	18
K0179.210X	K0179.1210X	A	10	M8	25	50/65/80/100	13	23
K0179.212X	K0179.1212X	A	12	M10	32	65/80/100/125	15	29
K0179.214X	K0179.1214X	A	14	M12	36	80/100/125/160	16	33
K0179.708X	K0179.1708X	B	8	M6	23	35/50/65	9	60
K0179.710X	K0179.1710X	B	10	M8	26	50/65/80/100	13	70
K0179.712X	K0179.1712X	B	12	M10	35	65/80/100/125	15	85
K0179.714X	K0179.1714X	B	14	M12	35	80/100/125/160	16	85
K0179.408X	K0179.1408X	C	8	M6	20	35/50/65	9	31
K0179.410X	K0179.1410X	C	10	M8	25	50/65/80/100	13	38
K0179.412X	K0179.1412X	C	12	M10	30	65/80/100/125	15	46
K0179.414X	K0179.1414X	C	14	M12	35	80/100/125/160	16	53
K0179.608X	K0179.1608X	E	8	M6	17	35/50/65	9	45
K0179.610X	K0179.1610X	E	10	M8	23	50/65/80/100	13	61
K0179.612X	K0179.1612X	E	12	M10	29	65/80/100/125	15	71
K0179.614X	K0179.1614X	E	14	M12	29	80/100/125/160	16	71

Spherical knobs



Material:

Black thermoplastic.

Bush and screw 5.8 steel or 1.4305 stainless steel.

Version:

Steel trivalent blue passivated, stainless steel bright.



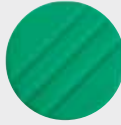


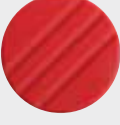

Sample order:

K0253.1066X15 (cap colour traffic red; include length L.)

Note:

Δ Add the desired cap colour here.

No colour code is required for black grey caps.

black grey  RAL 7021	pure orange Δ = 1  RAL 2004	signal green Δ = 2  RAL 6032	traffic blue Δ = 3  RAL 5017
light grey Δ = 5  RAL 7035	traffic red Δ = 6  RAL 3020	colza yellow Δ = 7  RAL 1021	

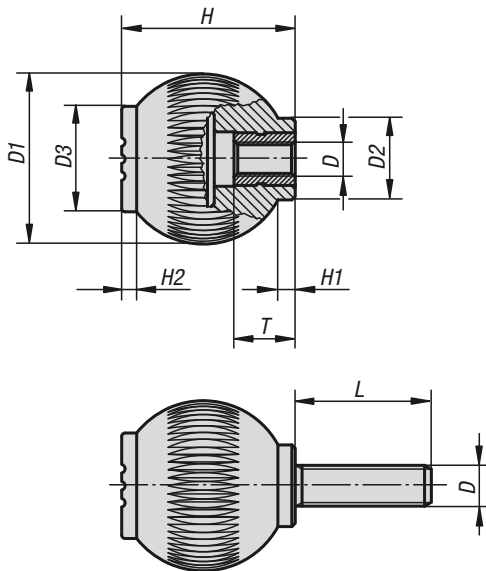
KIPP Spherical knobs with internal thread

Order No. steel	Order No. stainless steel	D	D1	D2	D3	H	H1	H2	T
K0253.106Δ	K0253.0106Δ	M6	25	12	17	25	3	2	10
K0253.208Δ	K0253.0208Δ	M8	32	15,5	19	33	3,5	2,6	14
K0253.310Δ	K0253.0310Δ	M10	40	19	23	41	4	3	14
K0253.410Δ	K0253.0410Δ	M10	50	24	31	51	5,5	4,5	14
K0253.412Δ	K0253.0412Δ	M12	50	24	31	51	5,5	4,5	18

KIPP Spherical knobs with external thread

Order No. steel	Order No. stainless steel	D	D1	D2	D3	H	H1	H2	L
K0253.106ΔX	K0253.0106ΔX	M6	25	12	17	25	3	2	15/20/25/30
K0253.208ΔX	K0253.0208ΔX	M8	32	15,5	19	33	3,5	2,6	20/25/30/40
K0253.310ΔX	K0253.0310ΔX	M10	40	19	23	41	4	3	20/30/40
K0253.410ΔX	K0253.0410ΔX	M10	50	24	31	51	5,5	4,5	20/30/40
K0253.412ΔX	K0253.0412ΔX	M12	50	24	31	51	5,5	4,5	20/30/40

Spherical knobs biopolymer



Material:

Biopolymer, beech.
Bush or threaded pin steel 5.8

Version:

Bush and screw trivalent blue passivated.
Natural beech with beech fibres or coloured black grey.

Sample order:

K0253.10106143X15

Advantages:

This biopolymer is manufactured entirely from renewable raw materials (oil free).
Conservation of finite fossil resources.
The wood fibres originate 100% from local, sustainably managed forests in Germany.

Features:

Excellent mechanical stability (certified with a minimum of 2x safety factor).
Biopolymer is suitable for recycling (comparable to thermoplastics).
Suitable for outdoor use (not biodegradable).
Excellent resistance to strong acids and lyes.
Short-term resistance to alcohol, fuel, mineral oil and grease.

KIPP Spherical knobs biopolymer with internal thread

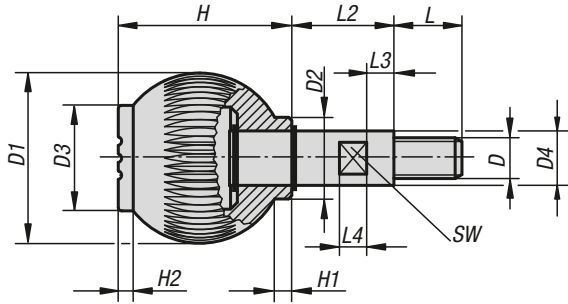
Order No.	Main colour	D	D1	D2	D3	H	H1	H2	T
K0253.10106143	natural beech	M6	25	12	17	25	3	2	10
K0253.10208143	natural beech	M8	32	15,5	19	33	3,5	2,6	14
K0253.1010690	black grey RAL 7021	M6	25	12	17	25	3	2	10
K0253.1020890	black grey RAL 7021	M8	32	15,5	19	33	3,5	2,6	14

KIPP Spherical knobs biopolymer with external thread

Order No.	Main colour	D	D1	D2	D3	H	H1	H2	L
K0253.10106143X15	natural beech	M6	25	12	17	25	3	2	15
K0253.10208143X20	natural beech	M8	32	15,5	19	33	3,5	2,6	20
K0253.1010690X15	black grey RAL 7021	M6	25	12	17	25	3	2	15
K0253.1020890X20	black grey RAL 7021	M8	32	15,5	19	33	3,5	2,6	20

Spherical knobs

revolving



Material:

Thermoplastic, black grey.
Axis steel 5.8 or stainless steel 1.4305.

Version:






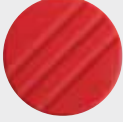

Trivalent blue passivated steel or bright stainless steel.
Circlips electro zinc-plated, including stainless steel version.

Sample order:

K0254.1066 (cap colour traffic red.)

Note:

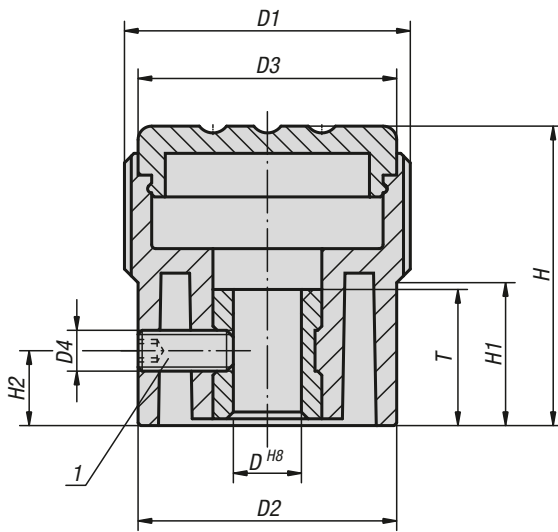
Δ Add the desired cap colour here.
No colour code is required for black grey caps.

black grey  RAL 7021	pure orange Δ = 1  RAL 2004	signal green Δ = 2  RAL 6032	traffic blue Δ = 3  RAL 5017
light grey Δ = 5  RAL 7035	traffic red Δ = 6  RAL 3020	colza yellow Δ = 7  RAL 1021	

KIPP Spherical knobs revolving

Order No. steel	Order No. stainless steel	D	D1	D2	D3	D4	H	H1	H2	L	L2	L3	L4	SW
K0254.106Δ	K0254.0106Δ	M6	25	12	17	8	25	3	2	10	15	5	5	7
K0254.208Δ	K0254.0208Δ	M8	32	15,5	19	10	33	3,5	2,6	12	20	6	6	8
K0254.310Δ	K0254.0310Δ	M10	40	19	23	13	41	4	3	15	25	7	10	10
K0254.412Δ	K0254.0412Δ	M12	50	24	31	16	51	5,5	4,5	20	30	8	8	13

Knurled knobs



Material:
Thermoplastic, black grey.
Bush steel.

Version:
Bush blue passivated

Sample order:
K0248.11055 (cap colour light grey)

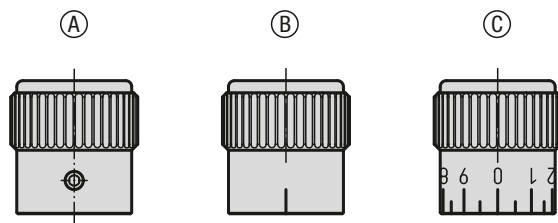
Note:
Available without graduations, with one scale line or with 20 graduations and 10 digits.

Δ Add the desired cap colour here. No colour code is required for black grey caps.

On request:
Special graduations.

Drawing reference:
Form A: without graduations
Form B: with one scale line
Form C: with standard graduations

1) Set screw for locking (by Form C between numbers 5 and 6)



black grey RAL 7021	pure orange Δ = 1 RAL 2004	signal green Δ = 2 RAL 6032	traffic blue Δ = 3 RAL 5017
light grey Δ = 5 RAL 7035	traffic red Δ = 6 RAL 3020	colza yellow Δ = 7 RAL 1021	

KIPP Knurled knobs

Order No.	Form	D	D1	D2	D3	D4	H	H1	H2	T
K0248.1105Δ	A	5	21	19	19	M3	22	10,5	5	10
K0248.1206Δ	A	6	26	23	23	M3	26	12	6	10
K0248.1308Δ	A	8	34	31	31	M4	36	17,5	7	14
K0248.2105Δ	B	5	21	19	19	M3	22	10,5	5	10
K0248.2206Δ	B	6	26	23	23	M3	26	12	6	10
K0248.2308Δ	B	8	34	31	31	M4	36	17,5	7	14
K0248.3105Δ	C	5	21	19	19	M3	22	10,5	5	10
K0248.3206Δ	C	6	26	23	23	M3	26	12	6	10
K0248.3308Δ	C	8	34	31	31	M4	36	17,5	7	14

Knurled knobs

with arrow



Material:

Knurled knob thermoplastic.
Washer aluminium.

Version:

Knurled knob black grey.
Washer, black anodised.

Sample order:

K0249.1055 (cap colour light grey)

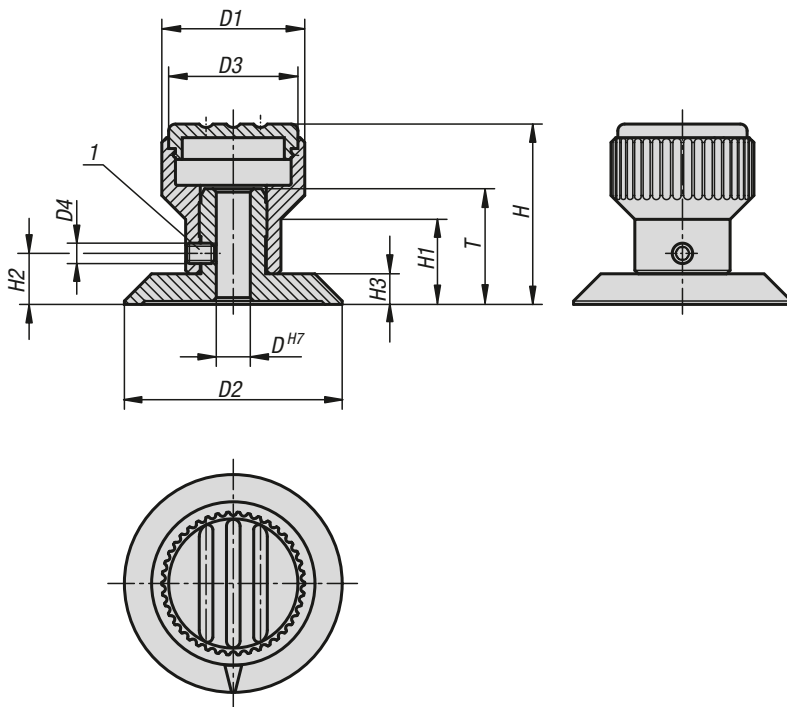
Note:








The arrow is engraved after anodizing. The set screw secures both the hub and the pressed-in washer. The H7 hole in the hub ensures a good tight fit on the shaft.

Δ Add the desired cap colour here. No colour code is required for black grey caps.

Drawing reference:

1) set screw

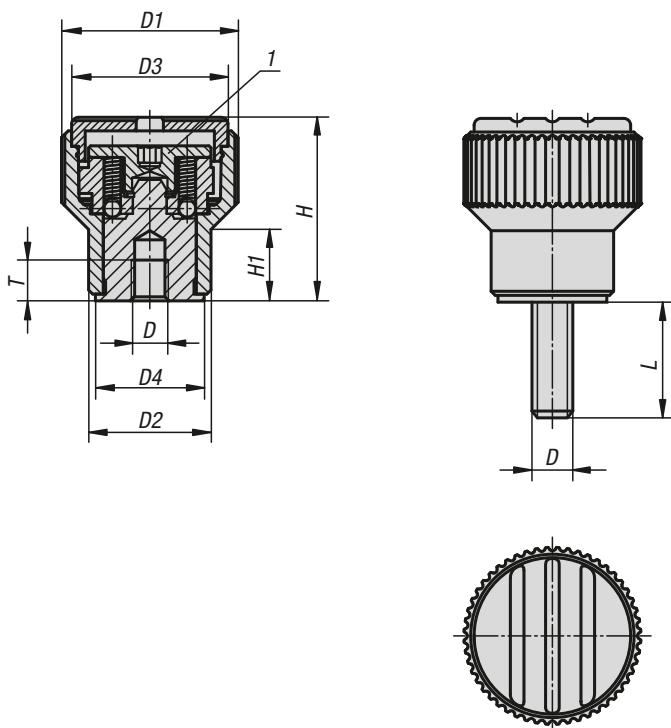


black grey  RAL 7021	pure orange Δ = 1  RAL 2004	signal green Δ = 2  RAL 6032	traffic blue Δ = 3  RAL 5017
light grey Δ = 5  RAL 7035	traffic red Δ = 6  RAL 3020	colza yellow Δ = 7  RAL 1021	

KIPP Knurled knobs with arrow

Order No.	D	D1	D2	D3	D4	H	H1	H2	H3	T
K0249.105Δ	5	21	32	19	M3	26,5	12,5	7,5	4,5	17
K0249.206Δ	6	26	40	23	M4	31,5	15	9,5	5,5	20,5
K0249.308Δ	8	34	52	31	M4	43	20	12	7	22

Knurled torque knobs



Material:

Thermoplastic, black grey.
Bush and screw steel 5.8.

Version:

Bush black oxidised.
Screw trivalent blue passivated.

Sample order:

K0277.2056X30
(cap colour traffic red; include length L)



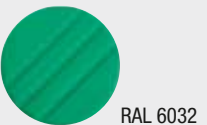


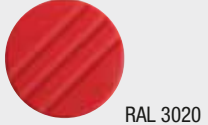

Note:

The set screw sets the required torque. The knob de-clutches and turns freely when the desired torque is reached.

Δ Add the desired cap colour here. No colour code is required for black grey caps.

Drawing reference:

1) adjusting screw for setting the torque

black grey  RAL 7021	pure orange Δ = 1  RAL 2004	signal green Δ = 2  RAL 6032	traffic blue Δ = 3  RAL 5017
light grey Δ = 5  RAL 7035	traffic red Δ = 6  RAL 3020	colza yellow Δ = 7  RAL 1021	

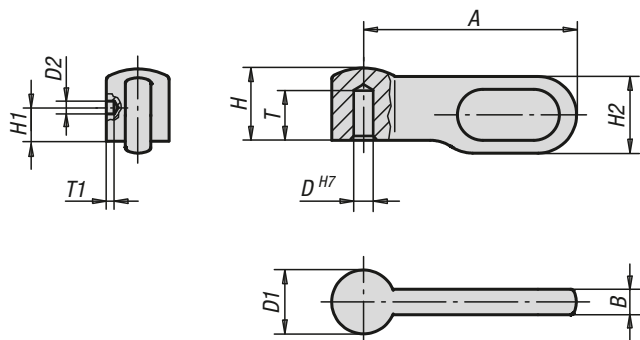
KIPP Knurled torque knobs with internal thread

Order No.	Component material	D	D1	D2	D3	D4	H	H1	T	Torque Nm
K0277.205Δ	steel	M5	26	18	23	16	27	10,5	5	0,1 - 0,3
K0277.206Δ	steel	M6	26	18	23	16	27	10,5	6	0,1 - 0,3
K0277.306Δ	steel	M6	34	22	31	20	37,5	14,5	10	0,1 - 0,3
K0277.308Δ	steel	M8	34	22	31	20	37,5	14,5	14	0,1 - 0,3

KIPP Knurled torque knobs with external thread

Order No.	Component material	D	D1	D2	D3	D4	H	H1	L	Torque Nm
K0277.205ΔX	steel	M5	26	18	23	16	27	10,5	30/50	0,1 - 0,3
K0277.206ΔX	steel	M6	26	18	23	16	27	10,5	30/50	0,1 - 0,3
K0277.306ΔX	steel	M6	34	22	31	20	37,5	14,5	40/60	0,1 - 0,3
K0277.308ΔX	steel	M8	34	22	31	20	37,5	14,5	40/60	0,1 - 0,3

Lock grips



Material:

Stainless steel 1.4308 or steel.

Version:

Stainless steel bright.
Steel black oxidised.

Sample order:

K0178.1040

Note:

Lock grips can be used as required. The styled design with recessed grip gives fingers a good purchase and is well suited to modern requirements. High clamping forces can be easily attained. Use the pilot hole in the side to secure the grip by pinning or screw.

KIPP Lock grip

Order No.	Main material	Size	A	B	D	D1	D2	H	H1	H2	T	T1
K0178.1040	stainless steel	1	25	3	4	7,5	1,5	8,5	3	9	5,5	0,5
K0178.2050	stainless steel	2	30	3,6	5	9	2	10,2	4	10,8	6,5	1
K0178.3060	stainless steel	3	40	4,8	6	12	2	13,6	5	14,4	8,7	1
K0178.4080	stainless steel	4	50	6	8	15	3	17	6	18	10,2	1
K0178.1041	steel	1	25	3	4	7,5	1,5	8,5	3	9	5,5	0,5
K0178.2051	steel	2	30	3,6	5	9	2	10,2	4	10,8	6,5	1
K0178.3061	steel	3	40	4,8	6	12	2	13,6	5	14,4	8,7	1
K0178.4081	steel	4	50	6	8	15	3	17	6	18	10,2	1