

Swivel and fixed castors medium-duty version

Item description/product images



Description

Material:

Housing, steel plate.

Wheel tread, high quality polyurethane elastomere.

Wheel rims, die-cast aluminium.

Version:

Housing, press-formed.

Swivel housing, double-row ball bearings in a swivel head.

Ball bearing wheel axle bearings.

Note:

Wheel axle bolted.

Swivel and fixed castors with mounting plate.

Application:

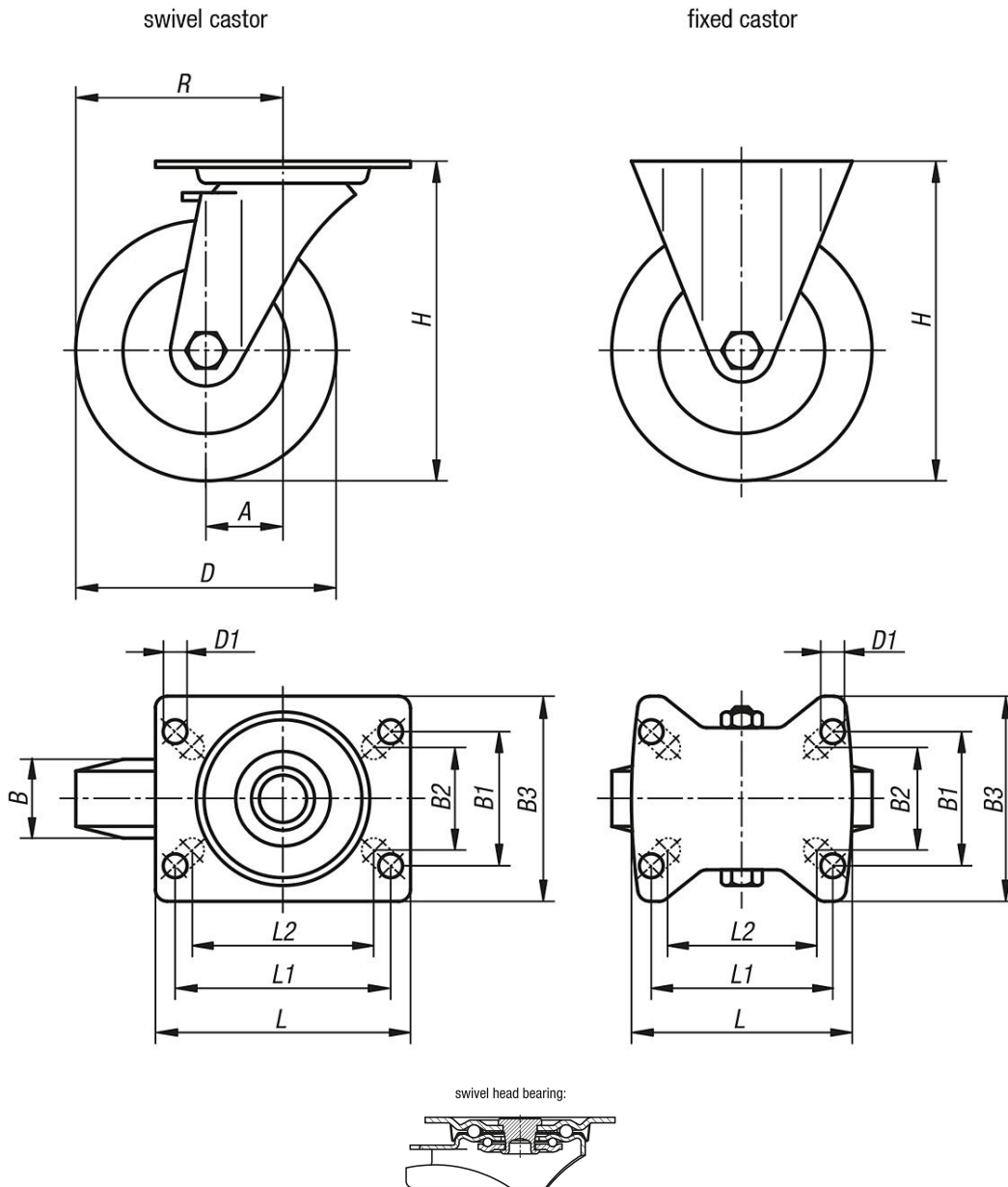
Heavy loads can be easily transported using this load handling equipment. The roll and swivel resistance is reduced with this new wheel series designed for intralogistic heavy load applications.

Temperature range:

-25 °C to +70 °C

Swivel and fixed castors medium-duty version

Drawings



Overview of items

Swivel and fixed castors medium-duty version

| Order No. | Item | Version 1 | Wheel bearing | A | B | B1 | B2 | B3 | D | D1 | H | L | L1 | L2 | R | Permissible load kg |
|-----------------|---------------|------------------------|---------------|----|----|----|----|-----|-----|----|-----|-----|-----|----|-------|---------------------|
| K1765.101000401 | Fixed castor | without locking system | ball bearing | - | 40 | 60 | 55 | 85 | 100 | 9 | 125 | 100 | 80 | 76 | - | 200 |
| K1765.101250401 | Fixed castor | without locking system | ball bearing | - | 40 | 60 | 55 | 85 | 125 | 9 | 150 | 100 | 80 | 76 | - | 200 |
| K1765.101500501 | Fixed castor | without locking system | ball bearing | - | 50 | 80 | 75 | 110 | 150 | 11 | 190 | 140 | 105 | - | - | 400 |
| K1765.101600501 | Fixed castor | without locking system | ball bearing | - | 50 | 80 | 75 | 110 | 160 | 11 | 195 | 140 | 105 | - | - | 400 |
| K1765.102000501 | Fixed castor | without locking system | ball bearing | - | 50 | 80 | 75 | 110 | 200 | 11 | 235 | 140 | 105 | - | - | 400 |
| K1765.10100040 | Swivel castor | without locking system | ball bearing | 36 | 40 | 60 | 55 | 85 | 100 | 9 | 125 | 100 | 80 | 76 | 86 | 200 |
| K1765.10125040 | Swivel castor | without locking system | ball bearing | 40 | 40 | 60 | 55 | 85 | 125 | 9 | 150 | 100 | 80 | 76 | 102,5 | 200 |
| K1765.10150050 | Swivel castor | without locking system | ball bearing | 60 | 50 | 80 | 75 | 110 | 150 | 11 | 190 | 140 | 105 | - | 135 | 400 |
| K1765.10160050 | Swivel castor | without locking system | ball bearing | 60 | 50 | 80 | 75 | 110 | 160 | 11 | 195 | 140 | 105 | - | 140 | 400 |
| K1765.10200050 | Swivel castor | without locking system | ball bearing | 65 | 50 | 80 | 75 | 110 | 200 | 11 | 235 | 140 | 105 | - | 165 | 400 |

Swivel and fixed castors medium-duty version

Overview of items

| Order No. | Item | Version 1 | Wheel bearing | A | B | B1 | B2 | B3 | D | D1 | H | L | L1 | L2 | R | Permissible load kg |
|------------------------|---------------|------------------------------|---------------|----|----|----|----|-----|-----|----|-----|-----|-----|----|-------|---------------------|
| K1765.101000402 | Swivel castor | with stop-fix locking system | ball bearing | 36 | 40 | 60 | 55 | 85 | 100 | 9 | 125 | 100 | 80 | 76 | 86 | 200 |
| K1765.101250402 | Swivel castor | with stop-fix locking system | ball bearing | 40 | 40 | 60 | 55 | 85 | 125 | 9 | 150 | 100 | 80 | 76 | 102,5 | 200 |
| K1765.101500502 | Swivel castor | with stop-fix locking system | ball bearing | 60 | 50 | 80 | 75 | 110 | 150 | 11 | 190 | 140 | 105 | - | 135 | 400 |
| K1765.101600502 | Swivel castor | with stop-fix locking system | ball bearing | 60 | 50 | 80 | 75 | 110 | 160 | 11 | 195 | 140 | 105 | - | 140 | 400 |
| K1765.102000502 | Swivel castor | with stop-fix locking system | ball bearing | 65 | 50 | 80 | 75 | 110 | 200 | 11 | 235 | 140 | 105 | - | 165 | 400 |