

Hinges



Technical information

Hinges



Hinges

We have listed a wide range of hinges on the following pages. Many more combinations are possible where hinges with guide tabs are required i.e. when combining aluminium profiles with different slot widths.

Guide tabs

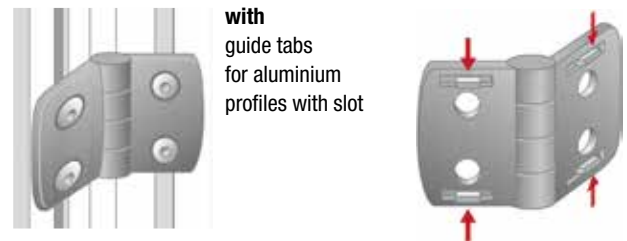
Many hinges can be supplied on request with guide tabs for the slots of aluminium profiles. They secure the hinge against twisting and make it stronger. The hinges are designed in such a way that the guide tabs can simply be broken out with a screwdriver.

Left and right hinge

Each lift-off hinge has a left and right version. Before ordering it should be known on which side the door or hatch is to be mounted.



without
guide tabs



with
guide tabs
for aluminium
profiles with slot

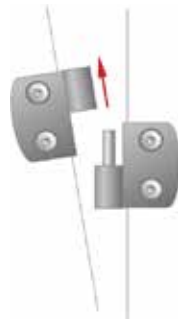
Left hinge.

The left hinge half is fixed.
The hatch or door opens from right to left.



Right hinge.

The right hinge half is fixed.
The hatch or door opens from left to right.



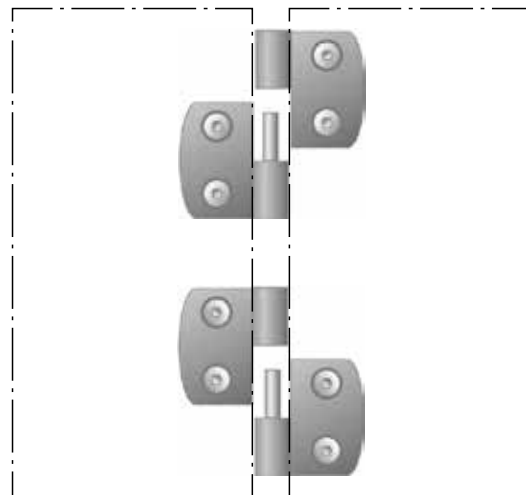
Fixed hinge.

The hinge is non-liftoff.
It is suitable for opening left or right.



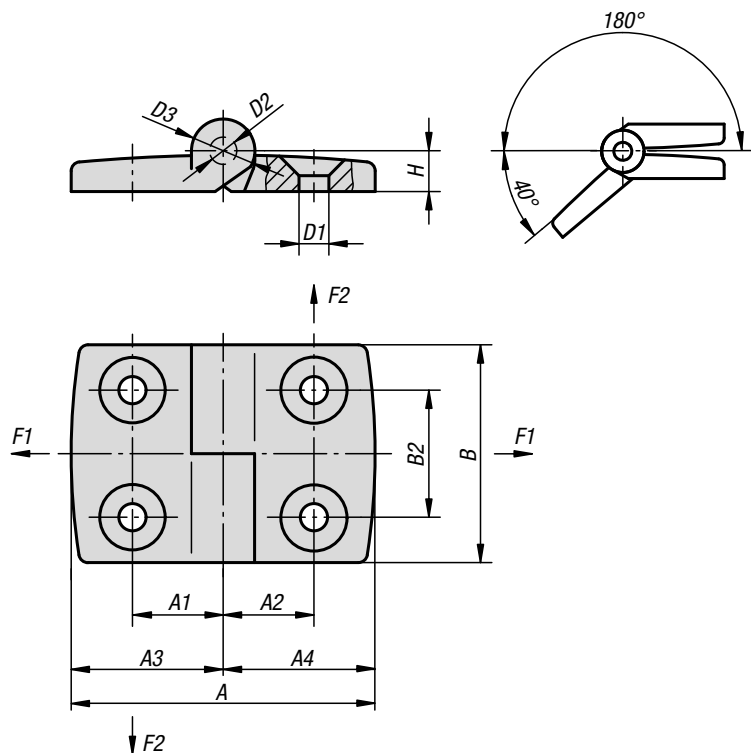
Tip

If you want to fit a door or hatch so that it cannot be lifted off, you can still use a left and right lift-off hinge. The two hinges are fitted in the end position and secure each other mutually.



Hinges

plastic, lift-off, left



Material:

Fibreglass reinforced thermoplastic.
Hinge pin stainless steel.

Version:

Hinge black. Pin bright.

Sample order:

K0434.1301825

Note:

All hinges can be supplied on request with guide tabs for the slots of aluminium profiles (slots 6, 8 and 10). They facilitate assembly, secure the hinge against rotation and make it harder wearing.

The loading values given for the hinges are non-binding reference values without consideration of safety factors and exclude any liability. The values given are for information purposes only and do not constitute a legally binding assurance of properties.

The load values have been determined under laboratory conditions. Each user must determine individually whether the hinge is suitable for the respective application.

Different materials onto which the hinges are installed and the type of mounting, weather conditions and wear can influence the determined values.

KIPP Hinges plastic, lift-off, left

Order No.	A	A1	A2	A3	A4	B	B2	D1	D2	D3	H	F1 N	F2 N
K0434.1251515	52	15	15	26	26	48	28	6,6	6	14	9	625	425
K0434.1251518	55,5	15	17,5	26	29,5	48	28	6,6	6	14	9	700	500
K0434.1251520	61,5	15	20	26	35,5	48	28	6,6	6	14	9	700	400
K0434.1251523	64,5	15	22,5	26	38,5	48	28	6,6	6	14	9	800	350
K0434.1251525	69,5	15	25	26	43,5	48	28	6,6	6	14	9	800	325
K0434.1251528	74,5	15	27,5	26	48,5	48	28	6,6	6	14	9	800	320
K0434.1251533	83,5	15	32,5	26	57,5	48	28	6,6	6	14	9	800	240
K0434.1301815	55,5	17,5	15	29,5	26	48	28	6,6	6	14	9	750	450
K0434.1301818	59	17,5	17,5	29,5	29,5	48	28	6,6	6	14	9	750	500
K0434.1301820	65	17,5	20	29,5	35,5	48	28	6,6	6	14	9	750	400
K0434.1301823	68	17,5	22,5	29,5	38,5	48	28	6,6	6	14	9	800	350
K0434.1301825	73	17,5	25	29,5	43,5	48	28	6,6	6	14	9	800	350
K0434.1301828	78	17,5	27,5	29,5	48,5	48	28	6,6	6	14	9	800	350
K0434.1301833	87	17,5	32,5	29,5	57,5	48	28	6,6	6	14	9	800	240
K0434.1352015	61,5	20	15	35,5	26	48	28	6,6	6	14	9	750	400
K0434.1352018	65	20	17,5	35,5	29,5	48	28	6,6	6	14	9	750	500
K0434.1352020	71	20	20	35,5	35,5	48	28	6,6	6	14	9	750	400
K0434.1352023	74	20	22,5	35,5	38,5	48	28	6,6	6	14	9	800	350
K0434.1352025	79	20	25	35,5	43,5	48	28	6,6	6	14	9	800	350
K0434.1352028	84	20	27,5	35,5	48,5	48	28	6,6	6	14	9	900	350
K0434.1352033	93	20	32,5	35,5	57,5	48	28	6,6	6	14	9	800	240

Hinges

plastic, lift-off, left

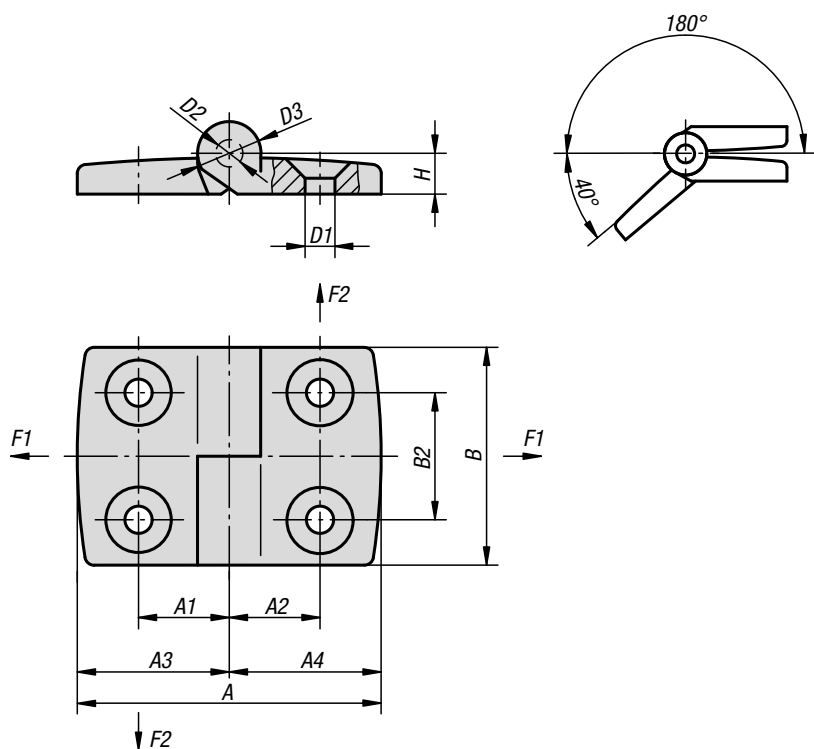


KIPP Hinges plastic, lift-off, left

Order No.	A	A1	A2	A3	A4	B	B2	D1	D2	D3	H	F1 N	F2 N
K0434.1402315	64,5	22,5	15	38,5	26	48	28	6,6	6	14	9	650	425
K0434.1402318	68	22,5	17,5	38,5	29,5	48	28	6,6	6	14	9	750	500
K0434.1402320	74	22,5	20	38,5	35,5	48	28	6,6	6	14	9	750	400
K0434.1402323	77	22,5	22,5	38,5	38,5	48	28	6,6	6	14	9	800	400
K0434.1402328	87	22,5	27,5	38,5	48,5	48	28	6,6	6	14	9	800	350
K0434.1402333	96	22,5	32,5	38,5	57,5	48	28	6,6	6	14	9	800	240
K0434.1452515	69,5	25	15	43,5	26	48	28	6,6	6	14	9	650	425
K0434.1452518	73	25	17,5	43,5	29,5	48	28	6,6	6	14	9	750	500
K0434.1452520	79	25	20	43,5	35,5	48	28	6,6	6	14	9	700	400
K0434.1452523	82	25	22,5	43,5	38,5	48	28	6,6	6	14	9	800	350
K0434.1452525	87	25	25	43,5	43,5	48	28	6,6	6	14	9	800	325
K0434.1452528	92	25	27,5	43,5	48,5	48	28	6,6	6	14	9	800	320
K0434.1452533	101	25	32,5	43,5	57,5	48	28	6,6	6	14	9	800	240
K0434.1502815	74,5	27,5	15	48,5	26	48	28	6,6	6	14	9	650	425
K0434.1502818	78	27,5	17,5	48,5	29,5	48	28	6,6	6	14	9	750	500
K0434.1502820	84	27,5	20	48,5	35,5	48	28	6,6	6	14	9	700	400
K0434.1502823	87	27,5	22,5	48,5	38,5	48	28	6,6	6	14	9	800	350
K0434.1502825	92	27,5	25	48,5	43,5	48	28	6,6	6	14	9	800	325
K0434.1502828	97	27,5	27,5	48,5	48,5	48	28	6,6	6	14	9	800	320
K0434.1502833	106	27,5	32,5	48,5	57,5	48	28	6,6	6	14	9	800	240
K0434.1603315	83,5	32,5	15	57,5	26	48	28	6,6	6	14	9	650	425
K0434.1603318	87	32,5	17,5	57,5	29,5	48	28	6,6	6	14	9	750	500
K0434.1603320	93	32,5	20	57,5	35,5	48	28	6,6	6	14	9	700	400
K0434.1603323	96	32,5	22,5	57,5	38,5	48	28	6,6	6	14	9	800	350
K0434.1603325	101	32,5	25	57,5	43,5	48	28	6,6	6	14	9	800	325
K0434.1603328	106	32,5	27,5	57,5	48,5	48	28	6,6	6	14	9	900	320
K0434.1603333	115	32,5	32,5	57,5	57,5	48	28	6,6	6	14	9	900	240

Hinges

plastic, lift-off, right



Material:
Fibreglass reinforced thermoplastic.
Hinge pin stainless steel.

Version:
Hinge black. Pin bright.

Sample order:
K0434.2251523

Note:
All hinges can be supplied on request with guide tabs for the slots of aluminium profiles (slots 6, 8 and 10). They facilitate assembly, secure the hinge against rotation and make it harder wearing.

The loading values given for the hinges are non-binding reference values without consideration of safety factors and exclude any liability. The values given are for information purposes only and do not constitute a legally binding assurance of properties.

KIPP Hinges plastic, lift-off, right

Order No.	A	A1	A2	A3	A4	B	B2	D1	D2	D3	H	F1 N	F2 N
K0434.2251515	52	15	15	26	26	48	28	6,6	6	14	9	625	425
K0434.2251518	55,5	15	17,5	26	29,5	48	28	6,6	6	14	9	700	500
K0434.2251520	61,5	15	20	26	35,5	48	28	6,6	6	14	9	700	400
K0434.2251523	64,5	15	22,5	26	38,5	48	28	6,6	6	14	9	800	350
K0434.2251525	69,5	15	25	26	43,5	48	28	6,6	6	14	9	800	325
K0434.2251528	74,5	15	27,5	26	48,5	48	28	6,6	6	14	9	800	320
K0434.2251533	83,5	15	32,5	26	57,5	48	28	6,6	6	14	9	800	240
K0434.2301815	55,5	17,5	15	29,5	26	48	28	6,6	6	14	9	750	450
K0434.2301818	59	17,5	17,5	29,5	29,5	48	28	6,6	6	14	9	750	500
K0434.2301820	65	17,5	20	29,5	35,5	48	28	6,6	6	14	9	700	400
K0434.2301823	68	17,5	22,5	29,5	38,5	48	28	6,6	6	14	9	800	350
K0434.2301825	73	17,5	25	29,5	43,5	48	28	6,6	6	14	9	800	350
K0434.2301828	78	17,5	27,5	29,5	48,5	48	28	6,6	6	14	9	800	350
K0434.2301833	87	17,5	32,5	29,5	57,5	48	28	6,6	6	14	9	800	240
K0434.2352015	61,5	20	15	35,5	26	48	28	6,6	6	14	9	700	400
K0434.2352018	65	20	17,5	35,5	29,5	48	28	6,6	6	14	9	750	500
K0434.2352020	71	20	20	35,5	35,5	48	28	6,6	6	14	9	750	400
K0434.2352023	74	20	22,5	35,5	38,5	48	28	6,6	6	14	9	800	350
K0434.2352025	79	20	25	35,5	43,5	48	28	6,6	6	14	9	800	350
K0434.2352028	84	20	27,5	35,5	48,5	48	28	6,6	6	14	9	800	350
K0434.2352033	93	20	32,5	35,5	57,5	48	28	6,6	6	14	9	800	240
K0434.2402315	64,5	22,5	15	38,5	26	48	28	6,6	6	14	9	650	425
K0434.2402318	68	22,5	17,5	38,5	29,5	48	28	6,6	6	14	9	750	500
K0434.2402320	74	22,5	20	38,5	35,5	48	28	6,6	6	14	9	750	400

Hinges

plastic, lift-off, right



The load values have been determined under laboratory conditions. Each user must determine individually whether the hinge is suitable for the respective application.

Different materials onto which the hinges are installed and the type of mounting, weather conditions and wear can influence the determined values.

KIPP Hinges plastic, lift-off, right

Order No.	A	A1	A2	A3	A4	B	B2	D1	D2	D3	H	F1 N	F2 N
K0434.2402323	77	22,5	22,5	38,5	38,5	48	28	6,6	6	14	9	800	350
K0434.2402325	82	22,5	25	38,5	43,5	48	28	6,6	6	14	9	800	350
K0434.2402328	87	22,5	27,5	38,5	48,5	48	28	6,6	6	14	9	800	350
K0434.2402333	96	22,5	32,5	38,5	57,5	48	28	6,6	6	14	9	800	240
K0434.2452515	69,5	25	15	43,5	26	48	28	6,6	6	14	9	650	425
K0434.2452518	73	25	17,5	43,5	29,5	48	28	6,6	6	14	9	750	500
K0434.2452520	79	25	20	43,5	35,5	48	28	6,6	6	14	9	700	400
K0434.2452523	82	25	22,5	43,5	38,5	48	28	6,6	6	14	9	800	350
K0434.2452525	87	25	25	43,5	43,5	48	28	6,6	6	14	9	800	325
K0434.2452528	92	25	27,5	43,5	48,5	48	28	6,6	6	14	9	800	320
K0434.2452533	101	25	32,5	43,5	57,5	48	28	6,6	6	14	9	800	240
K0434.2502815	74,5	27,5	15	48,5	26	48	28	6,6	6	14	9	650	425
K0434.2502818	78	27,5	17,5	48,5	29,5	48	28	6,6	6	14	9	750	500
K0434.2502820	84	27,5	20	48,5	35,5	48	28	6,6	6	14	9	700	400
K0434.2502823	87	27,5	22,5	48,5	38,5	48	28	6,6	6	14	9	800	350
K0434.2502825	92	27,5	25	48,5	43,5	48	28	6,6	6	14	9	800	325
K0434.2502828	97	27,5	27,5	48,5	48,5	48	28	6,6	6	14	9	800	320
K0434.2502833	106	27,5	32,5	48,5	57,5	48	28	6,6	6	14	9	800	240
K0434.2603318	87	32,5	17,5	57,5	29,5	48	28	6,6	6	14	9	750	500
K0434.2603320	93	32,5	20	57,5	35,5	48	28	6,6	6	14	9	700	400
K0434.2603323	96	32,5	22,5	57,5	38,5	48	28	6,6	6	14	9	800	350
K0434.2603325	101	32,5	25	57,5	43,5	48	28	6,6	6	14	9	800	325
K0434.2603328	106	32,5	27,5	57,5	48,5	48	28	6,6	6	14	9	900	320
K0434.2603333	115	32,5	32,5	57,5	57,5	48	28	6,6	6	14	9	900	240

Hinges

plastic

**Material:**

Fibreglass reinforced thermoplastic.
Hinge pin stainless steel.

Version:

Hinge black. Pin bright.

Sample order:

K0435.251528

Note:

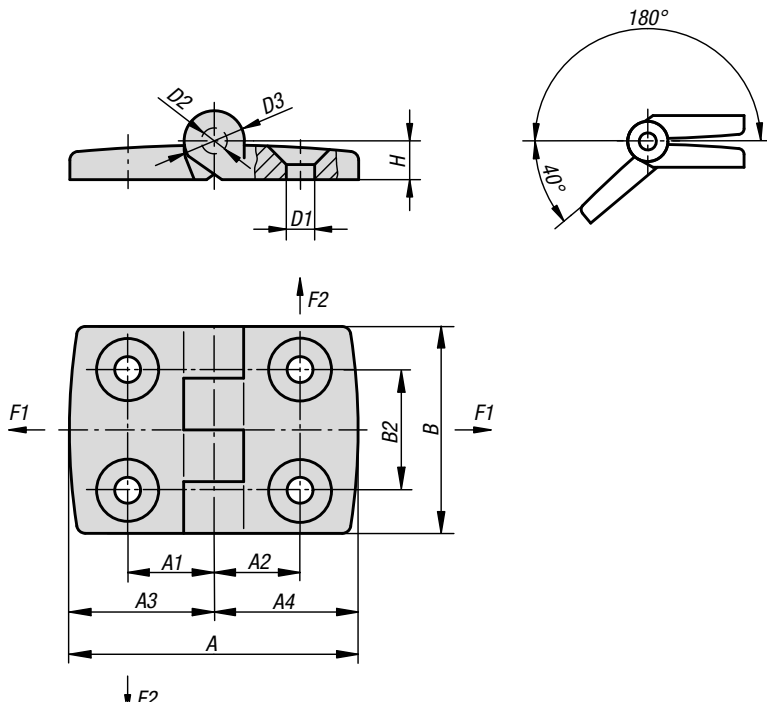
Hinges with different leaf lengths can be used left and right.

All hinges can be supplied on request with guide tabs for the slots of aluminium profiles (slots 6, 8 and 10). They facilitate assembly, secure the hinge against rotation and make it harder wearing.

The loading values given for the hinges are non-binding reference values without consideration of safety factors and exclude any liability. The values given are for information purposes only and do not constitute a legally binding assurance of properties.

The load values have been determined under laboratory conditions. Each user must determine individually whether the hinge is suitable for the respective application.

Different materials onto which the hinges are installed and the type of mounting, weather conditions and wear can influence the determined values.



Scharniere

aus Kunststoff

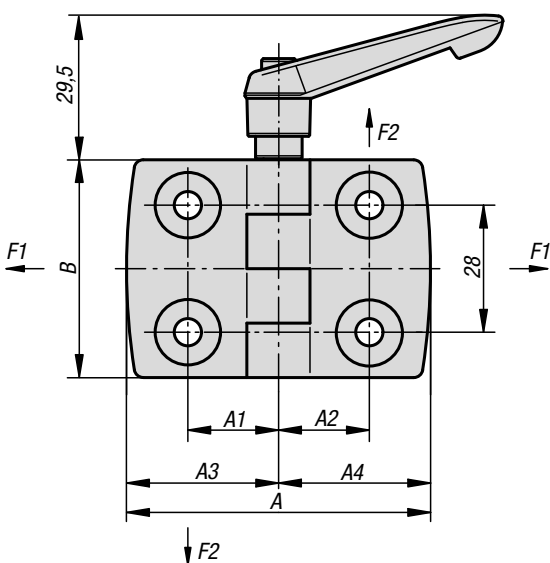
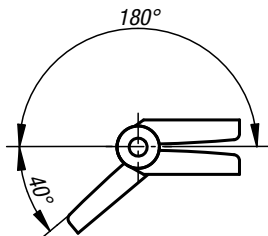
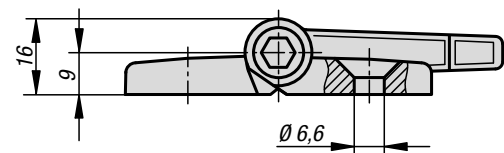


KIPP Scharniere aus Kunststoff

Bestellnummer	A	A1	A2	A3	A4	B	B2	D1	D2	D3	H	F1 N	F2 N
K0435.201212	39	11,5	11,5	19,5	19,5	30	14	4,2	3	8	5,5	400	200
K0435.251515	52	15	15	26	26	48	28	6,6	6	14	9	625	425
K0435.251518	55,5	15	17,5	26	29,5	48	28	6,6	6	14	9	700	500
K0435.251520	61,5	15	20	26	35,5	48	28	6,6	6	14	9	700	400
K0435.251523	64,5	15	22,5	26	38,5	48	28	6,6	6	14	9	800	350
K0435.251525	69,5	15	25	26	43,5	48	28	6,6	6	14	9	800	325
K0435.251528	74,5	15	27,5	26	48,5	48	28	6,6	6	14	9	800	320
K0435.251533	83,5	15	32,5	26	57,5	48	28	6,6	6	14	9	800	240
K0435.301818	59	17,5	17,5	29,5	29,5	48	28	6,6	6	14	9	700	400
K0435.301820	65	17,5	20	29,5	35,5	48	28	6,6	6	14	9	700	400
K0435.301823	68	17,5	22,5	29,5	38,5	48	28	6,6	6	14	9	750	450
K0435.301825	73	17,5	25	29,5	43,5	48	28	6,6	6	14	9	750	450
K0435.301828	78	17,5	27,5	29,5	48,5	48	28	6,6	6	14	9	900	425
K0435.301833	87	17,5	32,5	29,5	57,5	48	28	6,6	6	14	9	850	200
K0435.352020	71	20	20	35,5	35,5	48	28	6,6	6	14	9	700	400
K0435.352023	74	20	22,5	35,5	38,5	48	28	6,6	6	14	9	750	450
K0435.352025	79	20	25	35,5	43,5	48	28	6,6	6	14	9	750	450
K0435.352028	84	20	27,5	35,5	48,5	48	28	6,6	6	14	9	800	425
K0435.352033	93	20	32,5	35,5	57,5	48	28	6,6	6	14	9	800	175
K0435.402323	77	22,5	22,5	38,5	38,5	48	28	6,6	6	14	9	750	450
K0435.402325	82	22,5	25	38,5	43,5	48	28	6,6	6	14	9	750	450
K0435.402328	87	22,5	27,5	38,5	48,5	48	28	6,6	6	14	9	800	425
K0435.402333	96	22,5	32,5	38,5	57,5	48	28	6,6	6	14	9	850	175
K0435.452525	87	25	25	43,5	43,5	48	28	6,6	6	14	9	750	450
K0435.452528	92	25	27,5	43,5	48,5	48	28	6,6	6	14	9	800	425
K0435.452533	101	25	32,5	43,5	57,5	48	28	6,6	6	14	9	850	200
K0435.502828	97	27,5	27,5	48,5	48,5	48	28	6,6	6	14	9	800	425
K0435.502833	106	27,5	32,5	48,5	57,5	48	28	6,6	6	14	9	850	200
K0435.603333	115	32,5	32,5	57,5	57,5	48	28	6,6	6	14	9	850	175

Hinges

plastic, with locking lever



Material:

Hinge and lever fibreglass reinforced thermoplastic.
Hinge pin steel.
Mechanism steel.

Version:

Hinge black.
Pin electro zinc-plated.
Locking lever black.
Mechanism black electro zinc-plated.

Sample order:

K0436.251515

Note:

The indexible lever enables the hinge to be locked in any position.

The loading values given for the hinges are non-binding reference values without consideration of safety factors and exclude any liability. The values given are for information purposes only and do not constitute a legally binding assurance of properties.

The load values have been determined under laboratory conditions. Each user must determine individually whether the hinge is suitable for the respective application.

Different materials onto which the hinges are installed and the type of mounting, weather conditions and wear can influence the determined values.

On request:

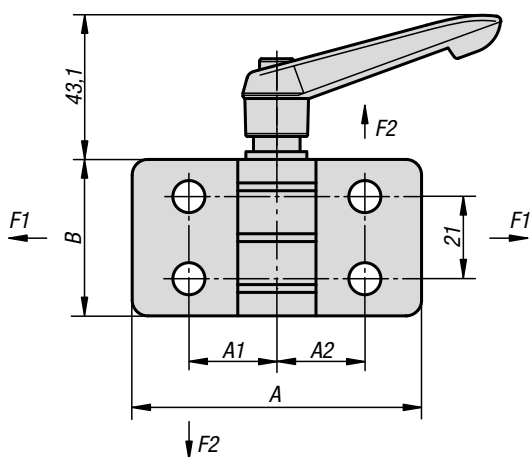
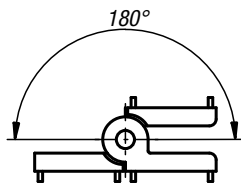
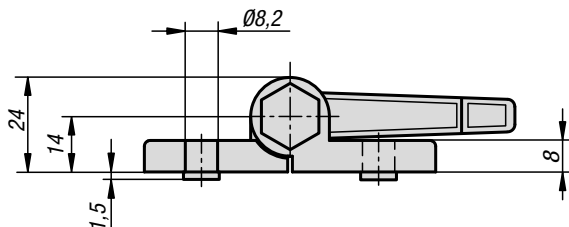
Hinges with guide tabs (slot 6, 8 and 10) for aluminium profiles.
Unequal leaf combinations.

KIPP Hinges plastic with locking lever

Order No.	A	A1	A2	A3	A4	B	F1 N	F2 N
K0436.251515	52	15	15	26	26	48	500	380
K0436.301818	59	17,5	17,5	29,5	29,5	48	700	400
K0436.352020	72	20	20	36	36	48	700	400
K0436.402323	77	22,5	22,5	38,5	38,5	48	750	450
K0436.452525	87	25	25	43,5	43,5	48	750	450
K0436.502828	97	27,5	27,5	48,5	48,5	48	800	425
K0436.603333	115	32,5	32,5	57,5	57,5	48	850	175

Hinges

die-cast zinc, with locking lever



Material:

Hinge die-cast zinc.
Hinge pin steel.
Lever fibreglass reinforced thermoplastic.
Mechanism steel.

Version:

Hinge black powder-coated.
Pin electro zinc-plated.
Lever black.
Mechanism black electro zinc-plated.

Sample order:

K0442.40232300

Note:

The indexible lever enables the hinge to be locked in any position.
The hinges are available with or without guide tabs for aluminium profile slots.

The loading values given for the hinges are non-binding reference values without consideration of safety factors and exclude any liability. The values given are for information purposes only and do not constitute a legally binding assurance of properties.

The load values have been determined under laboratory conditions. Each user must determine individually whether the hinge is suitable for the respective application.

Different materials onto which the hinges are installed and the type of mounting, weather conditions and wear can influence the determined values.

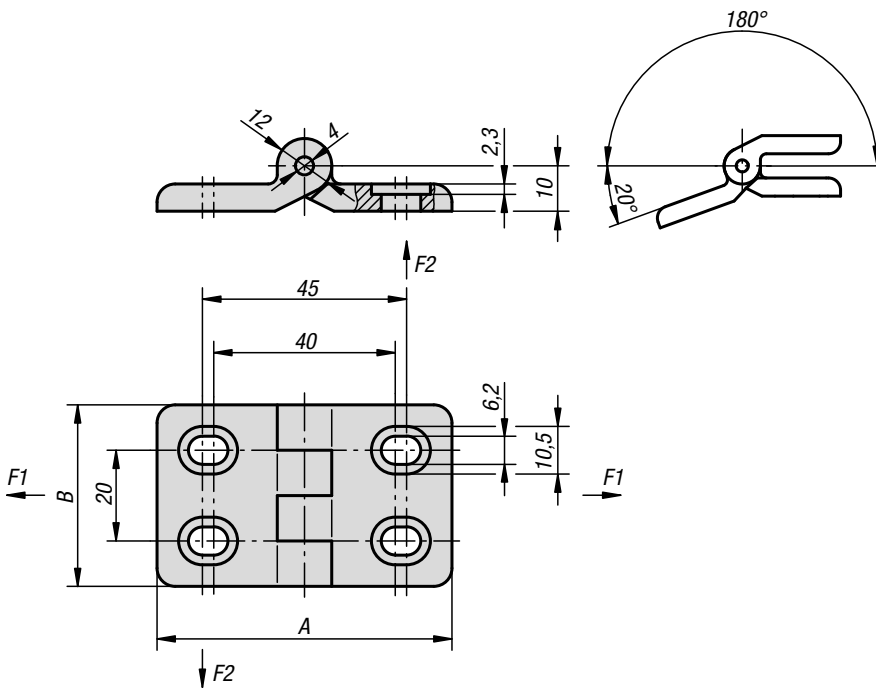


KIPP Hinges die-cast zinc, with locking lever

Order No.	A	A1	A2	B	Guide tabs for slot	F1 N	F2 N
K0442.40232300	74	22,5	22,5	40	-	1500	650
K0442.40232308	74	22,5	22,5	40	8	1500	650
K0442.40232310	74	22,5	22,5	40	10	1500	650
K0442.40232500	74	22,5	25	40	-	1500	650
K0442.40232508	74	22,5	25	40	8	1500	650
K0442.40232510	74	22,5	25	40	10	1500	650
K0442.45252500	74	25	25	40	-	1500	650
K0442.45252508	74	25	25	40	8	1500	650
K0442.45252510	74	25	25	40	10	1500	650

Hinge

plastic, with elongated holes



Material:

Fibreglass reinforced thermoplastic.
Hinge pin stainless steel.

Version:

Hinge black. Pin bright.

Sample order:

K0437.402020

Note:

Elongated holes enable easy horizontal adjustment.

The loading values given for the hinges are non-binding reference values without consideration of safety factors and exclude any liability. The values given are for information purposes only and do not constitute a legally binding assurance of properties.

The load values have been determined under laboratory conditions. Each user must determine individually whether the hinge is suitable for the respective application.

Different materials onto which the hinges are installed and the type of mounting, weather conditions and wear can influence the determined values.

KIPP Hinge plastic, with elongated holes

Order No.	A	B	F1 N	F2 N
K0437.402020	65	40	500	300

Hinges

plastic, lift-off, with guide tabs



Material:

Fibreglass reinforced thermoplastic.
Hinge pin stainless steel.
Washer thermoplastic.

Version:

Hinge and washer black. Pin bright.

Sample order:

K0438.1322020

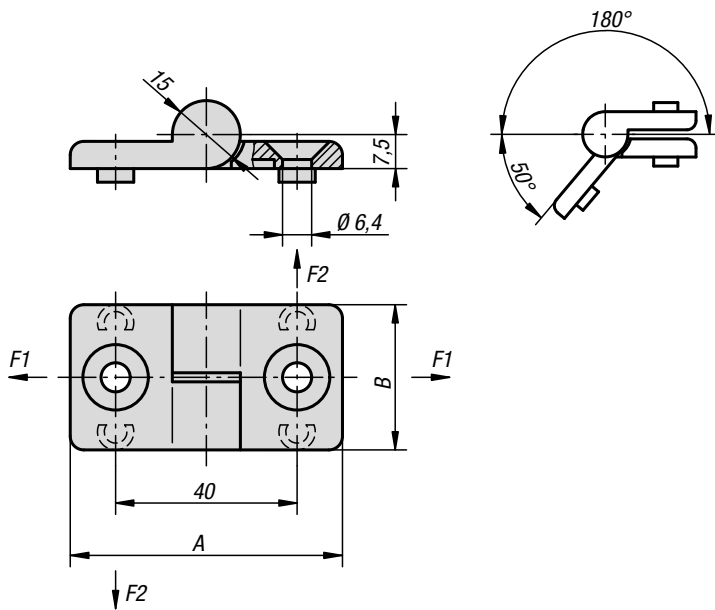
Note:

The hinges can be located in an 8 mm slot using the guide tabs.

The loading values given for the hinges are non-binding reference values without consideration of safety factors and exclude any liability. The values given are for information purposes only and do not constitute a legally binding assurance of properties.

The load values have been determined under laboratory conditions. Each user must determine individually whether the hinge is suitable for the respective application.

Different materials onto which the hinges are installed and the type of mounting, weather conditions and wear can influence the determined values.

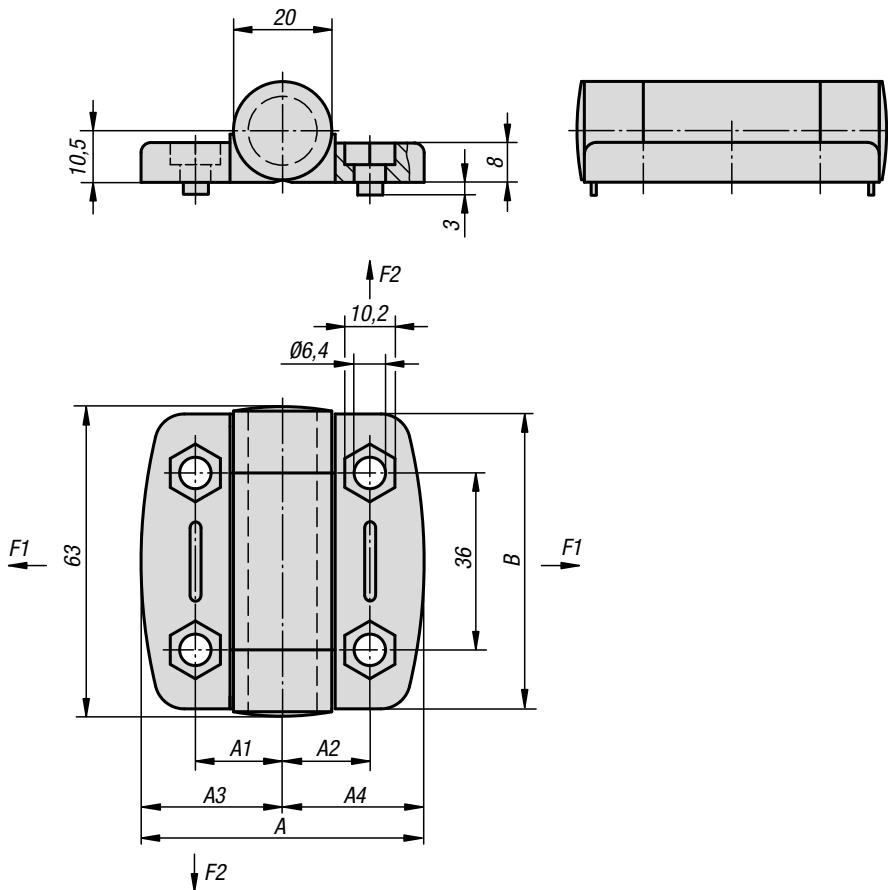


KIPP Hinges, plastic, lift-off, with guide tabs

Order No.	Version	A	B	F1 N	F2 N
K0438.1322020	left	60	32	200	100
K0438.2322020	right	60	32	200	100

Hinges

plastic, with detent



Material:

Hinge and caps fibreglass reinforced PA thermoplastic.
Hinge pin stainless steel.

Version:

Hinge and caps black.
Pin bright.

Sample order:

K0439.56181800

Note:

These hinges have a detent mechanism. This mechanism holds a door or lid open at three different angles or tightly closed. The hinges are available with or without guide tabs for aluminium profile slots.

The loading values given for the hinges are non-binding reference values without consideration of safety factors and exclude any liability. The values given are for information purposes only and do not constitute a legally binding assurance of properties.

The load values have been determined under laboratory conditions. Each user must determine individually whether the hinge is suitable for the respective application.

Different materials onto which the hinges are installed and the type of mounting, weather conditions and wear can influence the determined values.

KIPP Hinges plastic, with detent

Order No.	A	A1	A2	A3	A4	B	Guide tabs for slot	F1 N	F2 N	Max. torque Nm
K0439.56181800	54	17,75	17,75	27	27	56	-	400	350	2
K0439.56181806	54	17,75	17,75	27	27	56	6	400	350	2
K0439.56181808	54	17,75	17,75	27	27	56	8	400	350	2
K0439.56232300	73,5	22,75	22,75	36,75	36,75	56	-	600	425	2
K0439.56232308	73,5	22,75	22,75	36,75	36,75	56	8	600	425	2
K0439.56232310	73,5	22,75	22,75	36,75	36,75	56	10	600	425	2

Hinges

plastic, with adjustable friction



Material:

Hinge and caps, fibreglass reinforced PA thermoplastic.
Metal parts stainless steel.

Version:

Hinge and caps black.
Metal parts bright.

Sample order:

K0440.56181800

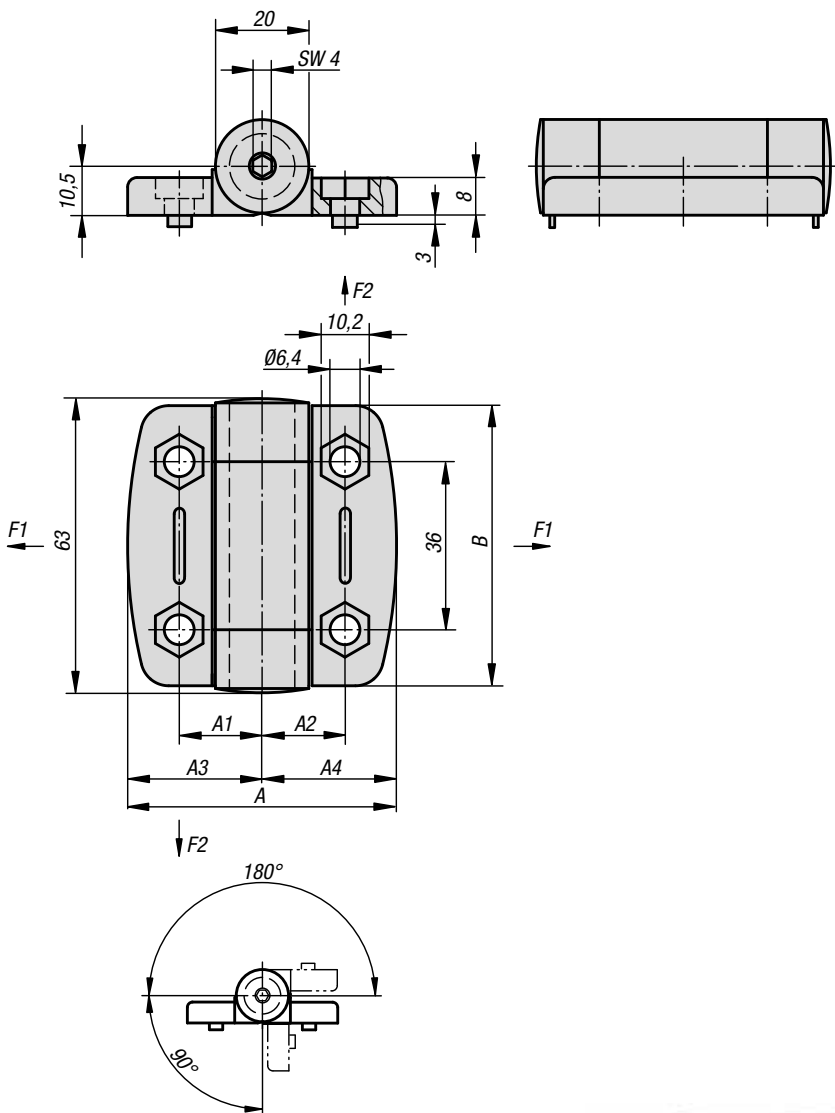
Note:

These friction hinges enable doors or lids to remain open in any position. A set screw allows the amount of friction to be infinitely adjusted between 0-5 Nm. The hinges are available with or without guide tabs for aluminium profile slots.

The loading values given for the hinges are non-binding reference values without consideration of safety factors and exclude any liability. The values given are for information purposes only and do not constitute a legally binding assurance of properties.

The load values have been determined under laboratory conditions. Each user must determine individually whether the hinge is suitable for the respective application.

Different materials onto which the hinges are installed and the type of mounting, weather conditions and wear can influence the determined values.

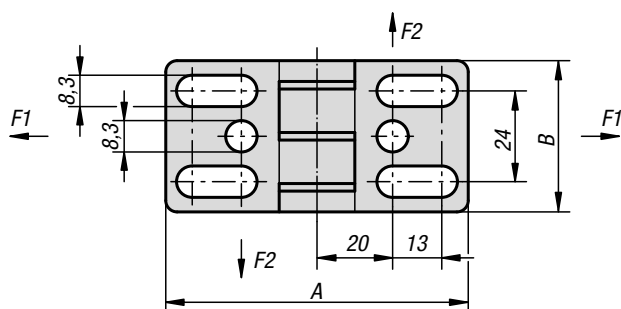
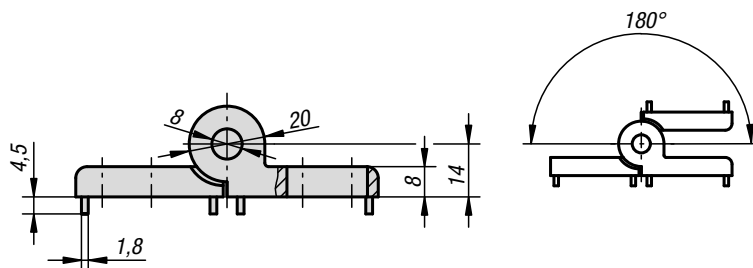


KIPP Hinges plastic, with adjustable friction

Order No.	A	A1	A2	A3	A4	B	Guide tabs for slot	F1 N	F2 N
K0440.56181800	54	17,75	17,75	27	27	56	-	400	325
K0440.56181806	54	17,75	17,75	27	27	56	6	400	325
K0440.56181808	54	17,75	17,75	27	27	56	8	400	325
K0440.56232300	73,5	22,75	22,75	36,75	36,75	56	-	600	425
K0440.56232308	73,5	22,75	22,75	36,75	36,75	56	8	600	425
K0440.56232310	73,5	22,75	22,75	36,75	36,75	56	10	600	425

Hinges

die-cast zinc, with elongated holes



Material:

Die-cast zinc.
Hinge pin stainless steel.
Washer thermoplastic.

Version:

Hinge black powder-coated.
Pin bright.
Washer black.

Sample order:

K0441.402020

Note:

Elongated holes enable easy horizontal adjustment.

The loading values given for the hinges are non-binding reference values without consideration of safety factors and exclude any liability. The values given are for information purposes only and do not constitute a legally binding assurance of properties.

The load values have been determined under laboratory conditions. Each user must determine individually whether the hinge is suitable for the respective application.

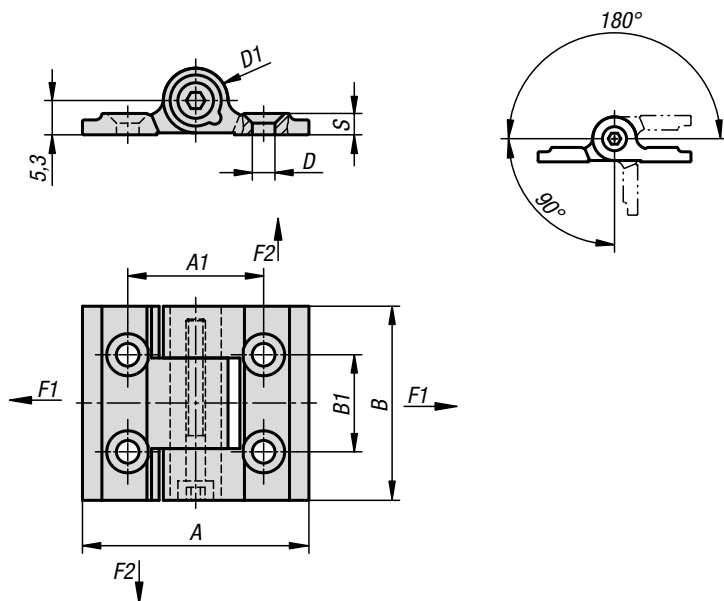
Different materials onto which the hinges are installed and the type of mounting, weather conditions and wear can influence the determined values.

KIPP Hinges die-cast zinc, with elongated holes

Order No.	A	B	Guide tabs for slot	F1 N	F2 N
K0441.402020	80	40	-	1200	500
K0441.40202008	80	40	8	1200	500
K0441.40202010	80	40	10	1200	500

Hinge

aluminium, with adjustable friction



Material:

Aluminium 6060 T5.
End caps PA 6.6.
Washers POM.

Version:

Black anodised

Sample order:

K1195.35301

Note:

These torque hinges enable doors to remain open in any position. A set screw enables the amount of friction to be infinitely adjusted between 0-1 Nm. Opening angle 270°.

Max. tensile strength: 2240 N

Max. shear strength: 1050 N

Fastened using DIN 7991 countersunk screws.

The loading values given for the hinges are non-binding reference values without consideration of safety factors and exclude any liability. The values given are for information purposes only and do not constitute a legally binding assurance of properties. These load values were determined under laboratory conditions. Each user must determine individually whether the hinge is suitable for the respective application.

Different materials onto which the hinges are installed and the type of mounting, weather conditions and wear can influence the determined values.

Temperature range:

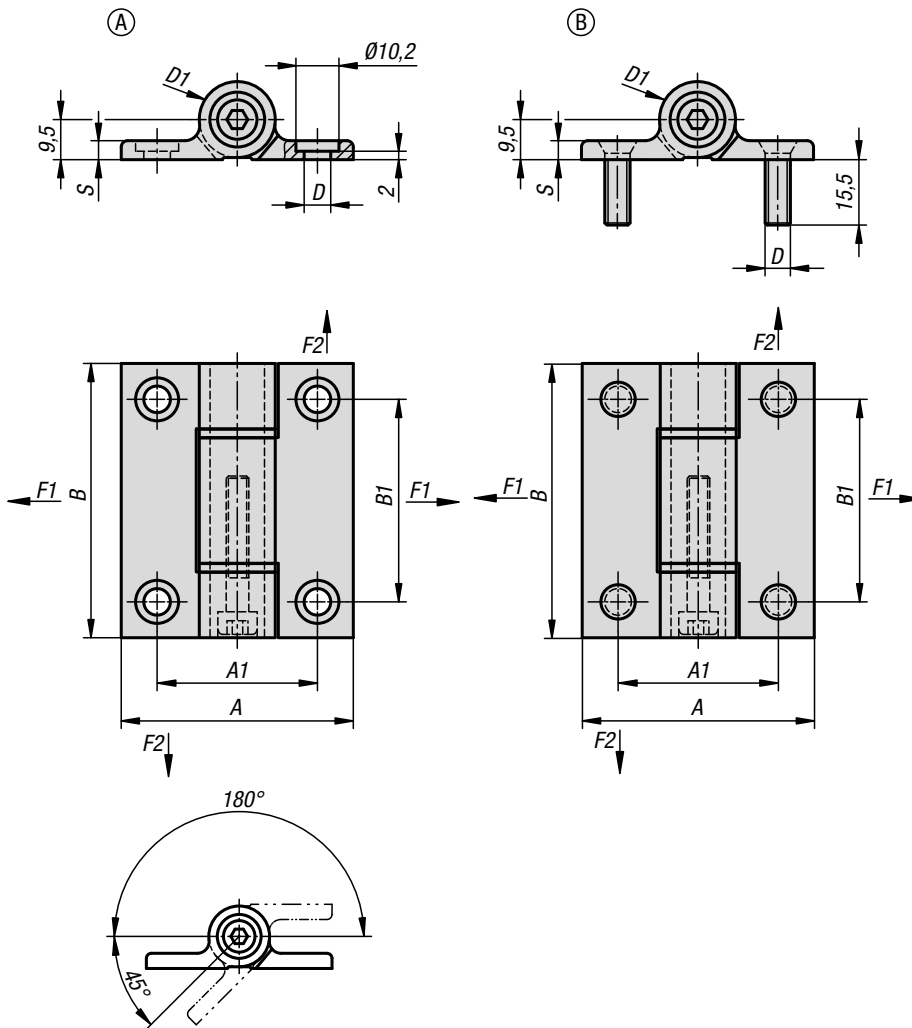
From -20°C to +80°C

KIPP Hinge aluminium, with adjustable friction

Order No.	A	A1	B	B1	D	D1	S	F1 N	F2 N
K1195.35301	35	21	30	15	3,5	10	3,3	2460	1480

Hinges

aluminium, with adjustable friction



Material:

Aluminium 6060 T5.
Sleeve POM.
Set screw stainless steel.
Washers PA.
Fastening screws steel.

Version:

Black anodised.
Fastening screws electro zinc-plated.

Sample order:

K1196.55651

Note:

These torque hinges enable doors to remain open in any position. A set screw enables the amount of friction to be infinitely adjusted between 0-5 Nm. Opening angle 225°.

Max. tensile strength: 6000 N

Max. shear strength: 5000 N

The loading values given for the hinges are non-binding reference values without consideration of safety factors and exclude any liability. The values given are for information purposes only and do not constitute a legally binding assurance of properties. These load values were determined under laboratory conditions. Each user must determine individually whether the hinge is suitable for the respective application.

Different materials onto which the hinges are installed and the type of mounting, weather conditions and wear can influence the determined values.

Temperature range:

From -20°C to +80°C

Accessories:

Socket head screws with hexagon socket DIN 912/EN ISO 4762.

Drawing reference:

Form A: fastened using DIN 912/EN ISO 4762 socket head screws.

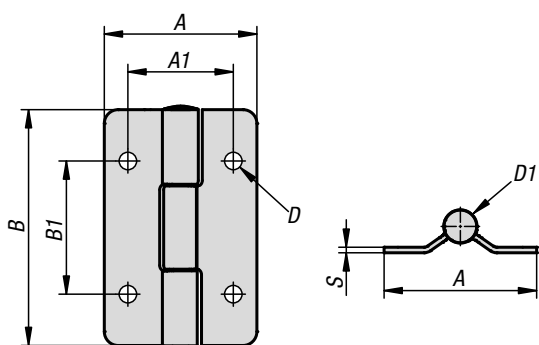
Form B: fastened using threaded pins.

KIPP Hinges aluminium, with adjustable friction

Order No.	Form	A	A1	B	B1	D	D1	S	F1 N	F2 N
K1196.55651	A	55	38	65	48	6,3	18	4,5	8960	8070
K1196.556511	B	55	38	65	48	M6	18	4,5	8960	8070

Hinges, stainless steel

with preset friction



Material:
Stainless steel 1.4310.

Version:
Bright.

Sample order:
K1518.55853

Note:
Due to the constant and stable torque, the hinges permit door positioning in any angular orientation without the need for additional aids. Opening angle 270°.

Accessories:
Hinges, stainless steel K1517

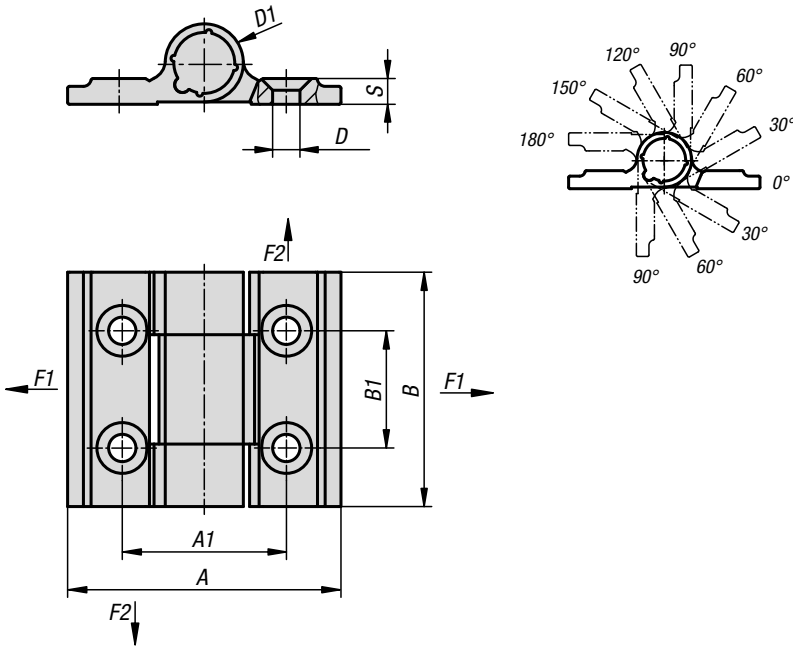


KIPP Hinges, stainless steel with preset friction

Order No.	A	A1	B	B1	D	D1	S	Max. torque Nm
K1518.55853	55	38	85	48	6,3	12	2	3
K1518.55855	55	38	85	48	6,3	16	2	5

Hinge

aluminium, with detent



Material:

Aluminium 6060 T5.
Screws and nuts stainless steel.
Washers PA.

Version:

Black anodised

Sample order:

K1197.35301

Note:

These hinges have a detent mechanism. These index every 30° from 0° to 270° and hold doors or hatches open or tightly closed. The detent torque is not adjustable. Torque tolerance ± 20 %

Fastened using DIN 7991 countersunk screws.

The loading values given for the hinges are non-binding reference values without consideration of safety factors and exclude any liability. The values given are for information purposes only and do not constitute a legally binding assurance of properties. These load values were determined under laboratory conditions. Each user must determine individually whether the hinge is suitable for the respective application.

Different materials onto which the hinges are installed and the type of mounting, weather conditions and wear can influence the determined values.

Temperature range:

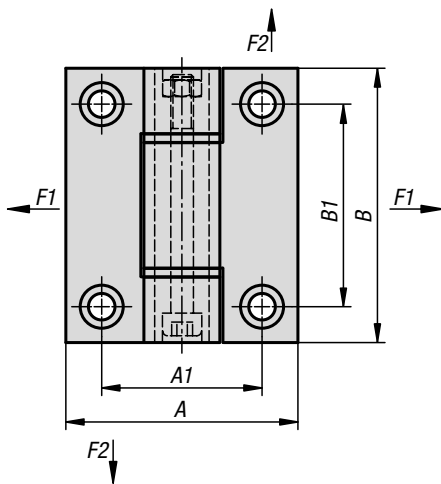
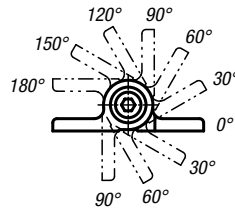
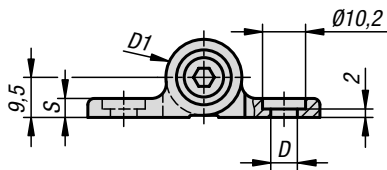
From -30°C to +70°C

KIPP Hinge aluminium, with detent

Order No.	A	A1	B	B1	D	D1	S	F1 N	F2 N	Max. torque Nm
K1197.35301	35	21	30	15	3,5	10	3,3	2260	1380	0,3

Hinges

aluminium, with detent



Material:

Aluminium 6060 T5.
Screws and nuts stainless steel.
Washers PA.

Version:

Black anodised

Sample order:

K1198.556711

Note:

These hinges have a detent mechanism. These index every 30° from 0° to 270° and hold doors or hatches open or tightly closed.

The detent torque is not adjustable.

The hinges are designed for over 30,000 operating cycles.

Torque tolerance ± 20 %.

Fastened using DIN 912/ DIN EN ISO 4762 cap screws.

The loading values given for the hinges are non-binding reference values, which do not consider safety factors and exclude any liability. The values given are for information purposes only and do not constitute a legally binding assurance of properties.

These load values were determined under laboratory conditions. Each user must determine individually whether the hinge is suitable for the respective application.

Different materials onto which the hinges are installed and the type of mounting, weather conditions and wear can influence the determined values.

Temperature range:

From -30°C to +70°C

Accessories:

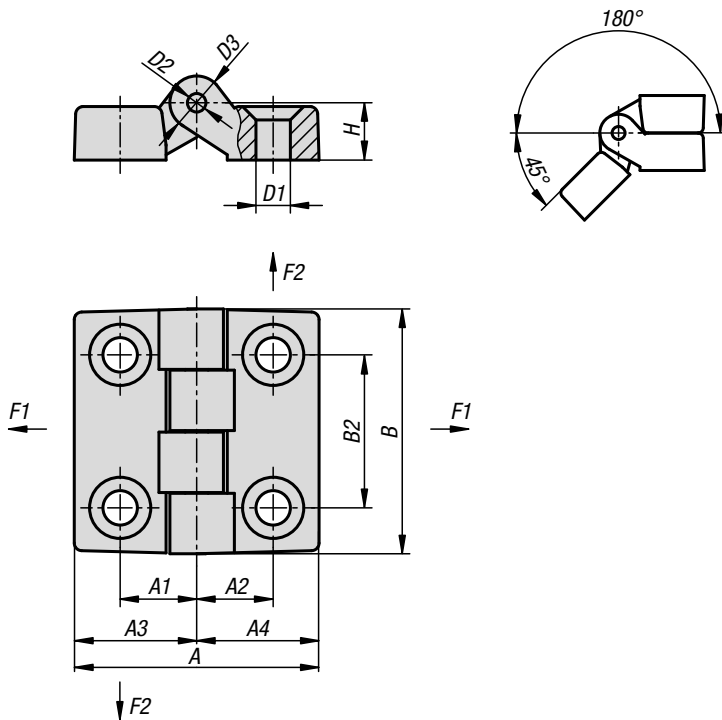
Socket head screws with hexagon socket DIN 912/EN ISO 4762.

KIPP Hinges aluminium, with detent

Order No.	A	A1	B	B1	D	D1	S	F1 N	F2 N	Max. torque Nm
K1198.556711	55	38	67	48	6,3	18	4,5	11300	5700	1,8
K1198.556712	55	38	67	48	6,3	18	4,5	11300	5700	2,5
K1198.556713	55	38	67	48	6,3	18	4,5	11300	5700	3,2
K1198.556715	55	38	67	48	6,3	18	4,5	11300	5700	5

Hinges plastic

with fastening holes



Material:

Fibreglass reinforced thermoplastic.
Hinge pin steel.

Version:

Hinge black.
Hinge pin electro zinc-plated.

Sample order:

K1004.0161010

Note:

Hinges with fastening holes for DIN 7991/UNI 5933 countersunk screws.

The loading values given for the hinges are non-binding reference values without consideration of safety factors and exclude any liability. The values given are for information purposes only and do not constitute a legally binding assurance of properties.

The load values have been determined under laboratory conditions. Each user must determine individually whether the hinge is suitable for the respective application.

Different materials onto which the hinges are installed and the type of mounting, weather conditions and wear can influence the determined values.

KIPP Plastic hinges with fastening holes

Order No.	A	A1	A2	A3	A4	B	B2	D1	D2	D3	H	F1 N	F2 N
K1004.004161010	32	10	10	16	16	32	20	4,5	3	7	7	1440	490
K1004.006241515	48	15	15	24	24	48	30	6,5	5	10	10,5	1960	1470
K1004.006322020	64	20	20	32	32	64	40	6,5	5	12	13	2990	1520
K1004.008483232	96	31,5	31,5	48	48	96	60	8,5	8	16	16	4300	1810
K1004.010483232	96	31,5	31,5	48	48	96	60	10,5	8	16	16	4300	1810

Hinges plastic

with bushing



Material:
Fibreglass reinforced thermoplastic.
Hinge pin steel.
Bushes brass.

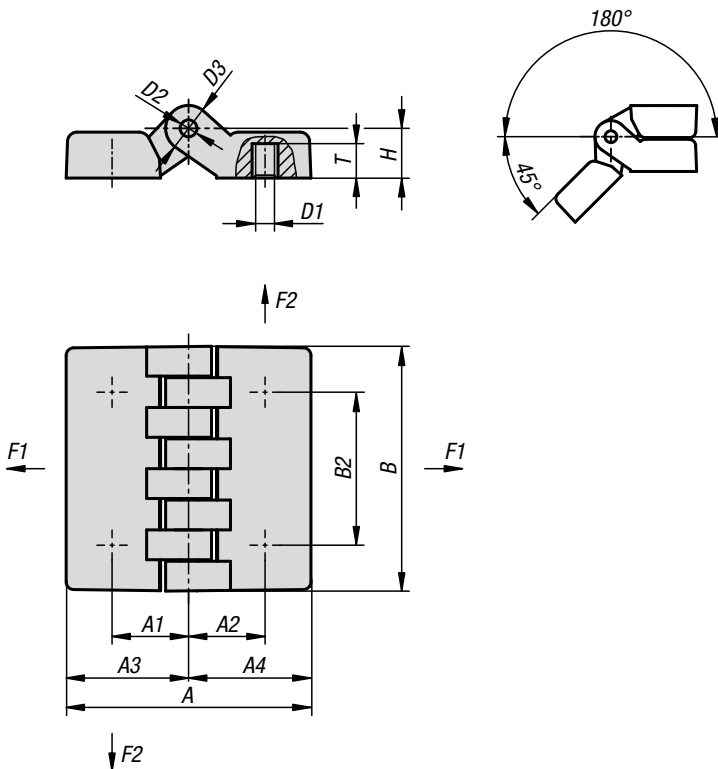
Version:
Hinge black.
Hinge pin electro zinc-plated.

Sample order:
K1005.05241515

Note:
The loading values given for the hinges are non-binding reference values without consideration of safety factors and exclude any liability. The values given are for information purposes only and do not constitute a legally binding assurance of properties.

The load values have been determined under laboratory conditions. Each user must determine individually whether the hinge is suitable for the respective application.

Different materials onto which the hinges are installed and the type of mounting, weather conditions and wear can influence the determined values.

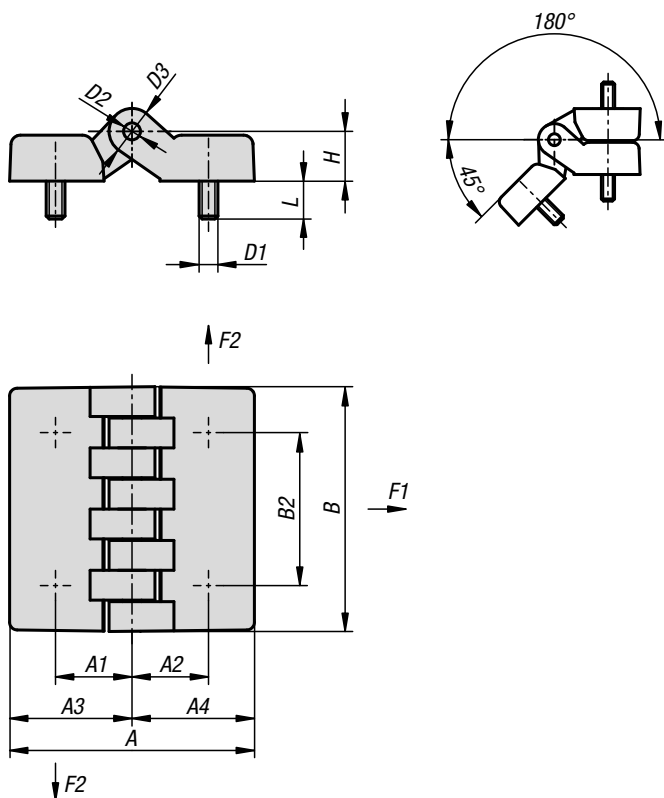


KIPP Hinges, plastic, with bushing

Order No.	A	A1	A2	A3	A4	B	B2	D1	D2	D3	H	T	F1 N	F2 N
K1005.05241515	48	15	15	24	24	48	30	M5	5	10	10,5	7	2000	1370
K1005.06241515	48	15	15	24	24	48	30	M6	5	10	10,5	7	2000	1370
K1005.06322020	64	20	20	32	32	64	40	M6	5	12	13	9	4100	1800
K1005.08322020	64	20	20	32	32	64	40	M8	5	12	13	9	4100	1800
K1005.08483232	95	31,5	31,5	47,5	47,5	95	60	M8	8	18	19	13	2450	2650
K1005.10483232	95	31,5	31,5	47,5	47,5	95	60	M10	8	18	19	13	2450	2650

Hinges plastic

with fastening screws



Material:

Fibreglass reinforced thermoplastic.
Hinge pin steel.

Version:

Hinge black.
Hinge pin electro zinc-plated.

Sample order:

K1006.05241515

Note:

The loading values given for the hinges are non-binding reference values without consideration of safety factors and exclude any liability. The values given are for information purposes only and do not constitute a legally binding assurance of properties.

The load values have been determined under laboratory conditions. Each user must determine individually whether the hinge is suitable for the respective application.

Different materials onto which the hinges are installed and the type of mounting, weather conditions and wear can influence the determined values.

KIPP Hinges, plastic, with fastening screws

Order No.	A	A1	A2	A3	A4	B	B2	D1	D2	D3	H	L	F1 N	F2 N
K1006.05241515	48	15	15	24	24	48	30	M5	5	10	10,5	15	1780	1370
K1006.06241515	48	15	15	24	24	48	30	M6	5	10	10,5	15	1780	1370
K1006.06322020	64	20	20	32	32	64	40	M6	5	12	13	20	4120	1760
K1006.08322020	64	20	20	32	32	64	40	M8	5	12	13	20	4120	1760
K1006.08483232	95	31,5	31,5	47,5	47,5	95	60	M8	8	18	19	20	4900	1275
K1006.10483232	95	31,5	31,5	47,5	47,5	95	60	M10	8	18	19	20	4900	1275

Hinges plastic

with bush and fastening screws



Material:
Fibreglass reinforced thermoplastic.
Hinge pin steel.
Bushes brass.

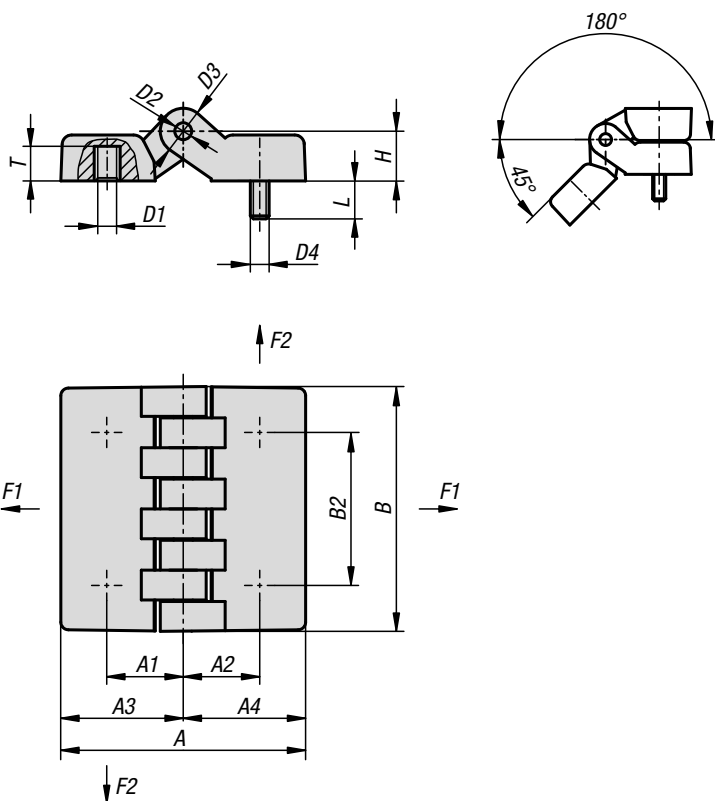
Version:
Hinge black.
Hinge pin electro zinc-plated.

Sample order:
K1007.05241515

Note:
The loading values given for the hinges are non-binding reference values without consideration of safety factors and exclude any liability. The values given are for information purposes only and do not constitute a legally binding assurance of properties.

The load values have been determined under laboratory conditions. Each user must determine individually whether the hinge is suitable for the respective application.

Different materials onto which the hinges are installed and the type of mounting, weather conditions and wear can influence the determined values.

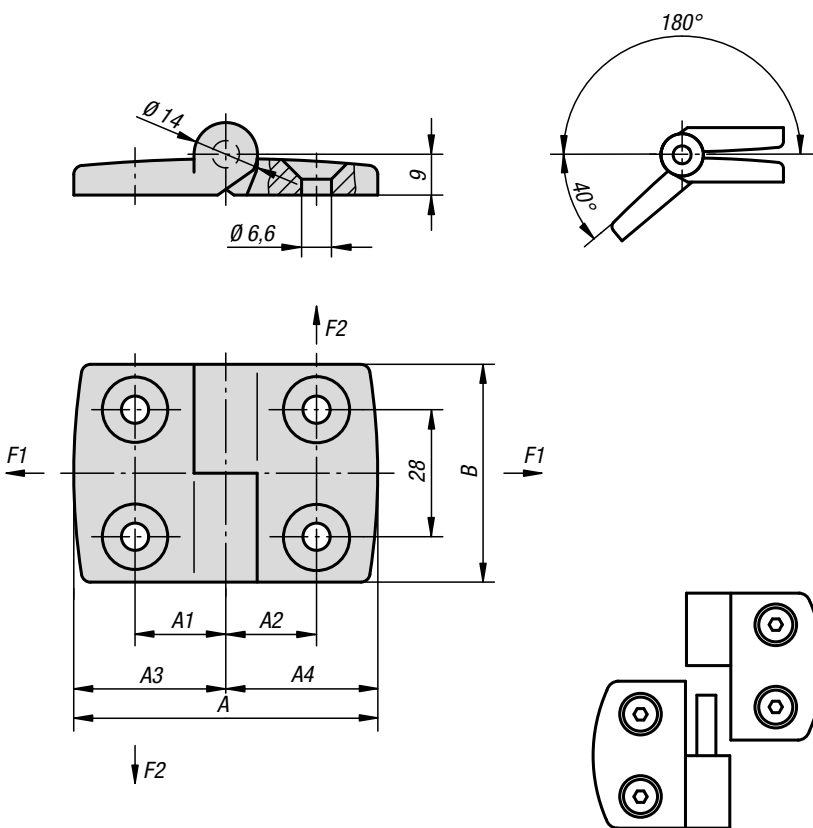


KIPP Hinges plastic with bush and fastening screws

Order No.	A	A1	A2	A3	A4	B	B2	D1	D2	D3	D4	H	L	T	F1 N	F2 N
K1007.05241515	48	15	15	24	24	48	30	M5	5	10	M5	10,5	15	7	1850	1350
K1007.06241515	48	15	15	24	24	48	30	M6	5	10	M6	10,5	15	7	1850	1350
K1007.06322020	64	20	20	32	32	64	40	M6	5	12	M6	13	20	9	4000	1600
K1007.08322020	64	20	20	32	32	64	40	M8	5	12	M8	13	20	9	4000	1600
K1007.08483232	95	31,5	31,5	47,5	47,5	95	60	M8	8	18	M8	19	20	13	3100	1400
K1007.10483232	95	31,5	31,5	47,5	47,5	95	60	M10	8	18	M10	19	20	13	3100	1400

Hinges

aluminium, lift-off, left



Material:

Die-cast aluminium.
Hinge pin stainless steel.

Version:

Hinge matt nickel plated and chromed.
Axle bright.

Sample order:

K0579.1251515

Note:

Hinges for panel elements and aluminium profiles.
The hinges can be fitted with plastic caps on the hinge pin.

The loading values given for the hinges are non-binding reference values without consideration of safety factors and exclude any liability. The values given are for information purposes only and do not constitute a legally binding assurance of properties.

The load values have been determined under laboratory conditions. Each user must determine individually whether the hinge is suitable for the respective application.

Different materials onto which the hinges are installed and the type of mounting, weather conditions and wear can influence the determined values.

On request:

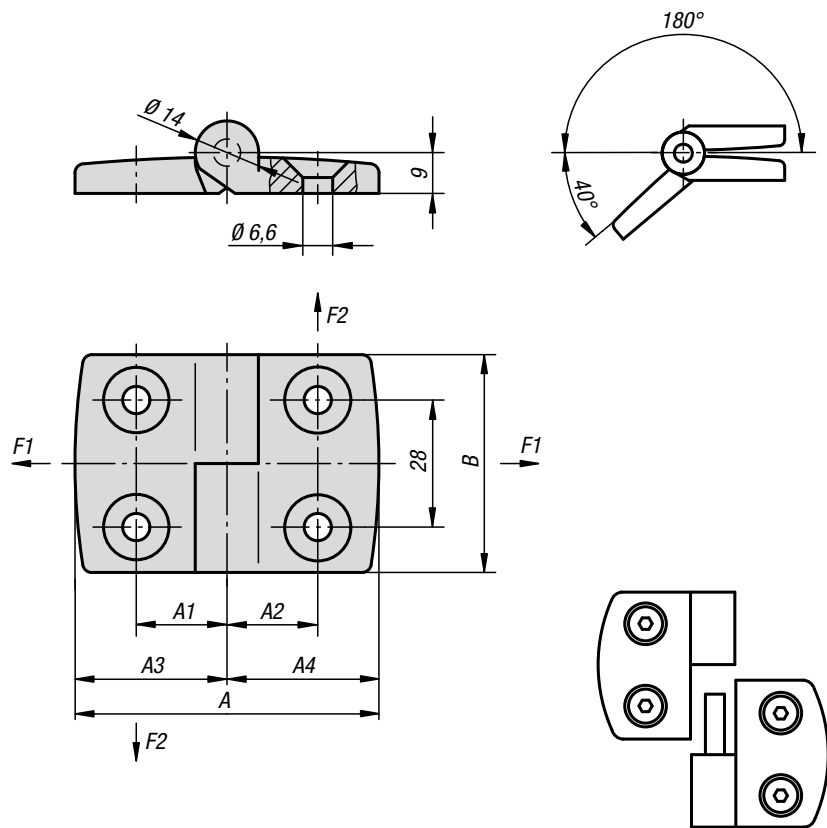
Hinges with guide tabs for aluminium profiles (slots 5, 6, 8, 10, 12 and 14).
Unequal leaf combinations.

KIPP Hinges aluminium, lift-off, left

Order No.	A	A1	A2	A3	A4	B	F1 N	F2 N
K0579.1251515	52	15	15	26	26	48	410	250
K0579.1301818	59	17,5	17,5	29,5	29,5	48	450	280
K0579.1352020	72	20	20	36	36	48	500	250
K0579.1402323	77	22,5	22,5	38,5	38,5	48	550	200
K0579.1452525	87	25	25	43,5	43,5	48	550	200
K0579.1502828	97	27,5	27,5	48,5	48,5	48	550	175
K0579.1603333	115	32,5	32,5	57,5	57,5	48	575	150

Hinges

aluminium, lift-off, right



Material:

Die-cast aluminium.
Hinge pin stainless steel.

Version:

Hinge matt nickel plated and chromed.
Axle bright.

Sample order:

K0579.2251515

Note:

Hinges for panel elements and aluminium profiles.
The hinges can be fitted with plastic caps on the hinge pin.

The loading values given for the hinges are non-binding reference values without consideration of safety factors and exclude any liability. The values given are for information purposes only and do not constitute a legally binding assurance of properties.

The load values have been determined under laboratory conditions. Each user must determine individually whether the hinge is suitable for the respective application.

Different materials onto which the hinges are installed and the type of mounting, weather conditions and wear can influence the determined values.

On request:

Hinges with guide tabs for aluminium profiles (slots 5, 6, 8, 10, 12 and 14).
Unequal leaf combinations.

KIPP Hinges aluminium, lift-off, right

Order No.	A	A1	A2	A3	A4	B	F1 N	F2 N
K0579.2251515	52	15	15	26	26	48	410	250
K0579.2301818	59	17,5	17,5	29,5	29,5	48	450	280
K0579.2352020	72	20	20	36	36	48	500	250
K0579.2402323	77	22,5	22,5	38,5	38,5	48	550	200
K0579.2452525	87	25	25	43,5	43,5	48	550	200
K0579.2502828	97	27,5	27,5	48,5	48,5	48	550	175
K0579.2603333	115	32,5	32,5	57,5	57,5	48	575	150

Hinges

aluminium



Material:
Die-cast aluminium.
Hinge pin stainless steel.

Version:
Hinge matt nickel plated and chromed.
Axle bright.

Sample order:
K0580.251515

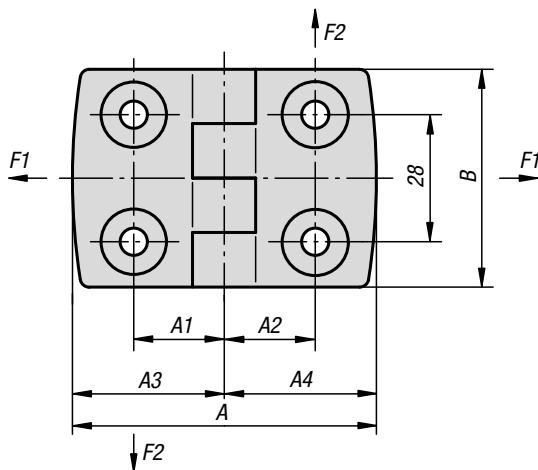
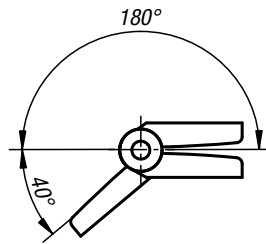
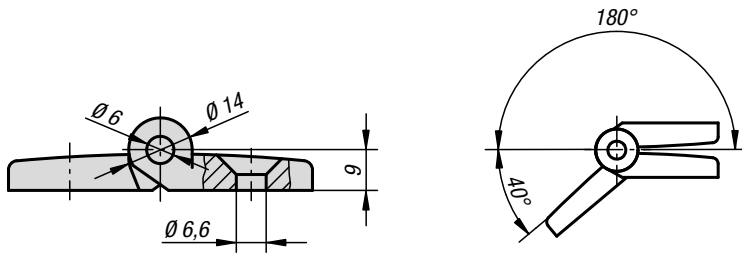
Note:
Hinges for panel elements and aluminium profiles, non lift-off.
The hinges can be fitted with plastic caps on the hinge pin.

The loading values given for the hinges are non-binding reference values without consideration of safety factors and exclude any liability. The values given are for information purposes only and do not constitute a legally binding assurance of properties.

The load values have been determined under laboratory conditions. Each user must determine individually whether the hinge is suitable for the respective application.

Different materials onto which the hinges are installed and the type of mounting, weather conditions and wear can influence the determined values.

On request:
Hinges with guide tabs for aluminium profiles (slots 5, 6, 8, 10, 12 and 14).
Unequal leaf combinations.

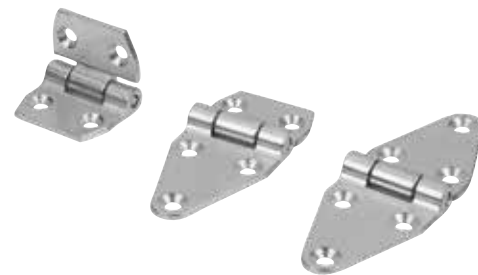


KIPP Hinges aluminium

Order No.	A	A1	A2	A3	A4	B	F1 N	F2 N
K0580.251515	52	15	15	26	26	48	275	215
K0580.301818	59	17,5	17,5	29,5	29,5	48	325	225
K0580.352020	72	20	20	36	36	48	325	225
K0580.402323	77	22,5	22,5	38,5	38,5	48	400	250
K0580.452525	87	25	25	43,5	43,5	48	400	250
K0580.502828	97	27,5	27,5	48,5	48,5	48	400	250
K0580.603333	115	32,5	32,5	57,5	57,5	48	400	100

Hinges steel

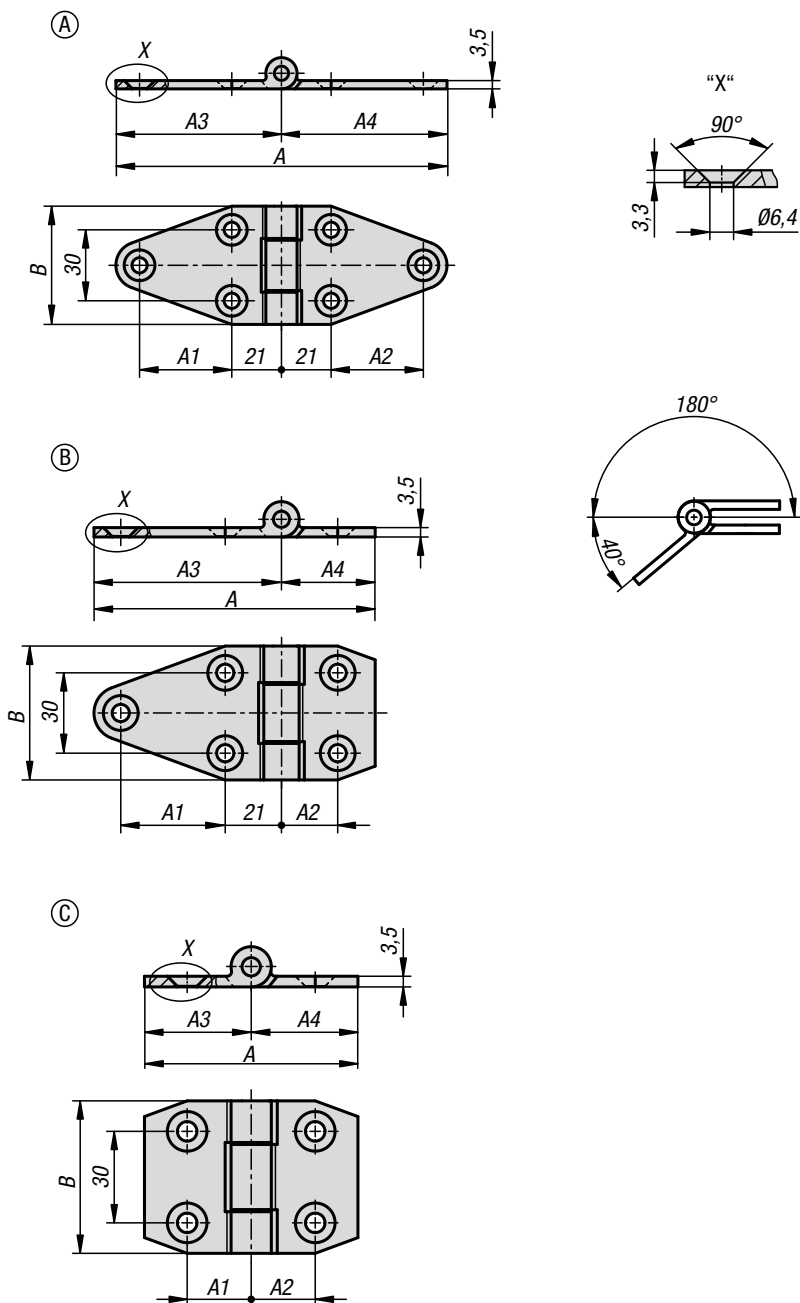
maintenance-free



Material:
Profile steel.
Bush Metaloplast.

Version:
Steel parts electro zinc-plated.

Sample order:
K1141.06707050



KIPP Hinges steel, maintenance-free

Order No.	Form	A	A1	A2	A3	A4	B
K1141.06707050	A	140	39	39	70	70	50
K1141.06703550	B	105	39	21	70	35	50
K1141.06353550	C	70	21	21	35	35	50

Hinges

stainless steel



Material:
Stainless steel 1.4401.

Version:
Polished.

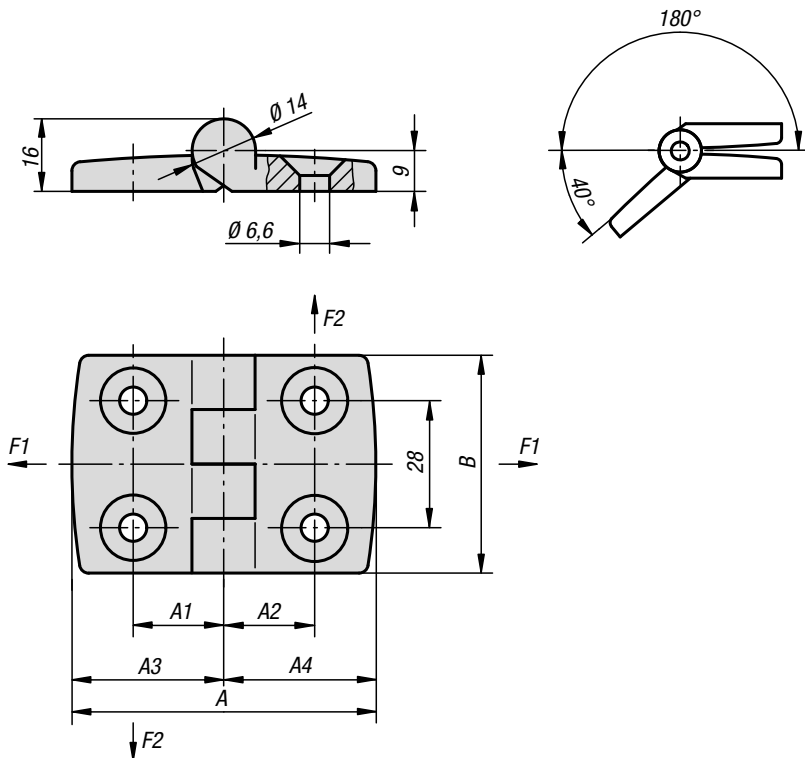
Sample order:
K1084.062615151

Note:
Hinges for panel elements and aluminium profiles.

The loading values given for the hinges are non-binding reference values without consideration of safety factors and exclude any liability. The values given are for information purposes only and do not constitute a legally binding assurance of properties.

The load values have been determined under laboratory conditions. Each user must determine individually whether the hinge is suitable for the respective application.

Different materials onto which the hinges are installed and the type of mounting, weather conditions and wear can influence the determined values.

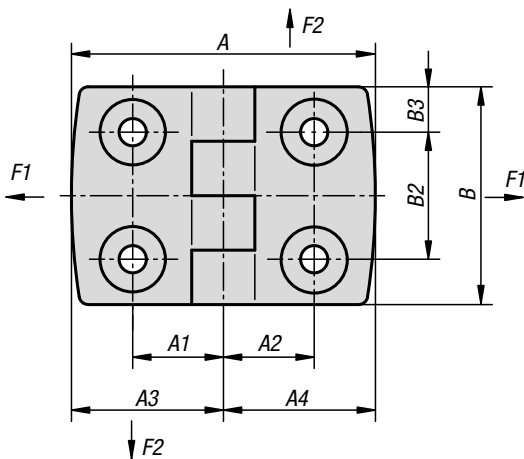
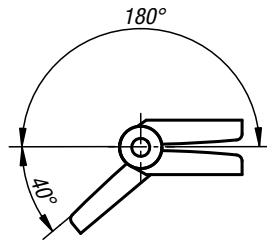
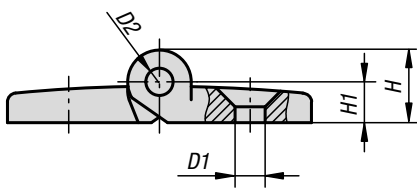


KIPP Hinges stainless steel

Order No.	A	A1	A2	A3	A4	B	F1 N	F2 N
K1084.062615151	52	15	15	26	26	48	700	560
K1084.063018181	59	17,5	17,5	29,5	29,5	48	800	575
K1084.064023231	77	22,5	22,5	38,5	38,5	48	900	675
K1084.064525251	85	25	25	42,5	42,5	48	900	675
K1084.066033331	113	32,5	32,5	56,5	56,5	48	900	260

Hinge

stainless steel



Material:

Hinge stainless steel 1.4401.

Pin stainless steel 1.4104.

Version:

High-gloss polished.

Sample order:

K1343.04191212

Note:

Hinge for panel elements and aluminium profiles, non lift-off. Pin end closed. Screws countersunk, thus minimum dirt accumulation.

The loading values given for the hinges are non-binding reference values without consideration of safety factors and exclude any liability. The values given are for information purposes only and do not constitute a legally binding assurance of properties.

The load values have been determined under laboratory conditions. Each user must determine individually whether the hinge is suitable for the respective application.

Different materials onto which the hinges are installed and the type of mounting, weather conditions and wear can influence the determined values.

KIPP Hinge, stainless steel

Order No.	A	A1	A2	A3	A4	B	B2	B3	D1	D2	H	H1	F1 N	F2 N
K1343.04191212	38	11,5	11,5	19	19	30	14	8	4,5	3	9,5	5,5	700	450

Hinges

stainless steel



Material:
Stainless steel 1.4401.

Version:
Polished or blasted.

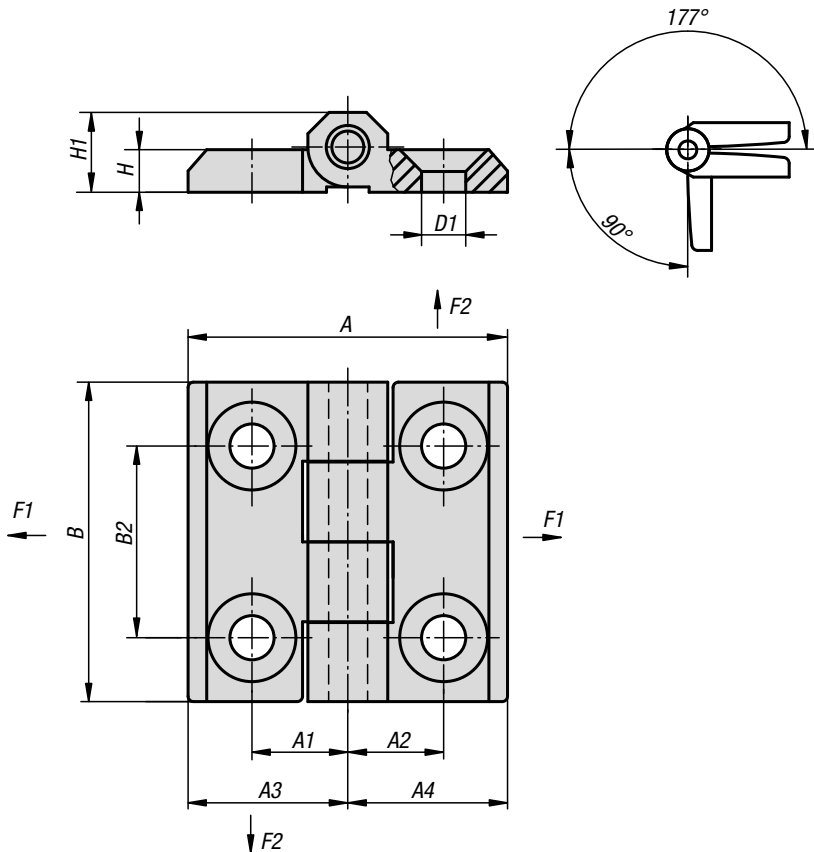
Sample order:
K1085.052013131

Note:
Hinges with fixed pin and countersunk holes.

The loading values given for the hinges are non-binding reference values without consideration of safety factors and exclude any liability. The values given are for information purposes only and do not constitute a legally binding assurance of properties.

The load values have been determined under laboratory conditions. Each user must determine individually whether the hinge is suitable for the respective application.

Different materials onto which the hinges are installed and the type of mounting, weather conditions and wear can influence the determined values.

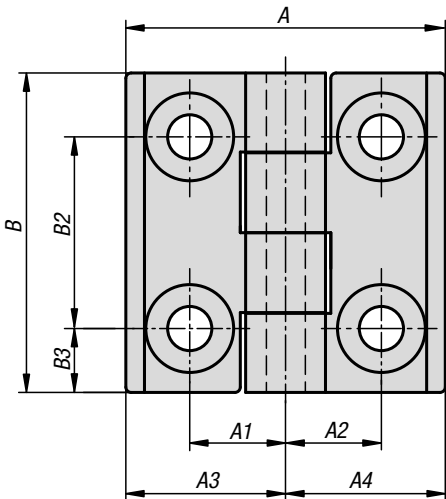
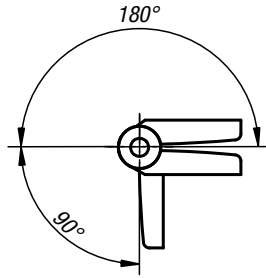
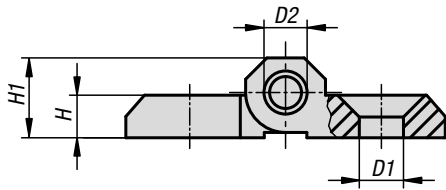
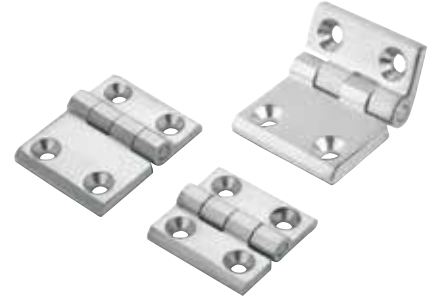


KIPP Hinges, stainless steel

Order No.	Main material	Surface finish body	A	A1	A2	A3	A4	B	B2	D1	H	H1	F1 N	F2 N
K1085.052013130	stainless steel A2	polished	39	12,5	12,5	19,5	19,5	39	25	5,5	4	9	800	600
K1085.052013131	stainless steel A2	blasted	39	12,5	12,5	19,5	19,5	39	25	5,5	4	9	800	600
K1085.062515150	stainless steel A2	polished	50	15	15	25	25	50	30	6,5	6	12	1100	900
K1085.062515151	stainless steel A2	blasted	50	15	15	25	25	50	30	6,5	6	12	1100	900
K1085.083018180	stainless steel A4	polished	60	18	18	30	30	60	36	8,5	8	15	2000	1500
K1085.083018181	stainless steel A4	brushed	60	18	18	30	30	60	36	8,5	8	15	2000	1500

Hinges

stainless steel



Material:

Stainless steel 1.4401.

Version:

Satin finished.

Sample order:

K1341.05201313

Note:

Hinge for extreme loads.

For right or left use.

Opening angle 270°.

Fastening with countersunk screws i.e. per DIN 7991.

The loading values given for the hinges are non-binding reference values, which do not consider safety factors and exclude any liability. The values given are for information purposes only and do not constitute a legally binding assurance of properties.

These load values were determined under laboratory conditions. Each user must determine individually whether the hinge is suitable for the respective application.

Wide differences in the materials on which the hinges are installed, the type of mounting, weather conditions and wear, can influence the determined values.

KIPP Hinges, stainless steel

Order No.	A	A1	A2	A3	A4	B	B2	B3	D1	D2	H	H1	Load capacity N
K1341.05201313	40	12,5	12,5	20	20	40	25	7,5	5,2	4	5	9	2500
K1341.06251515	50	15	15	25	25	50	30	10	6,2	6	6	11,5	5000
K1341.08301818	60	18	18	30	30	60	36	12	8,3	8	8	15	8000
K1341.06381528	63	28	15	38	25	50	30	10	6,5	6	6	11,5	5000
K1341.06382828	76	28	28	38	38	50	30	10	6,5	6	6	11,5	5000

Hinges, stainless steel



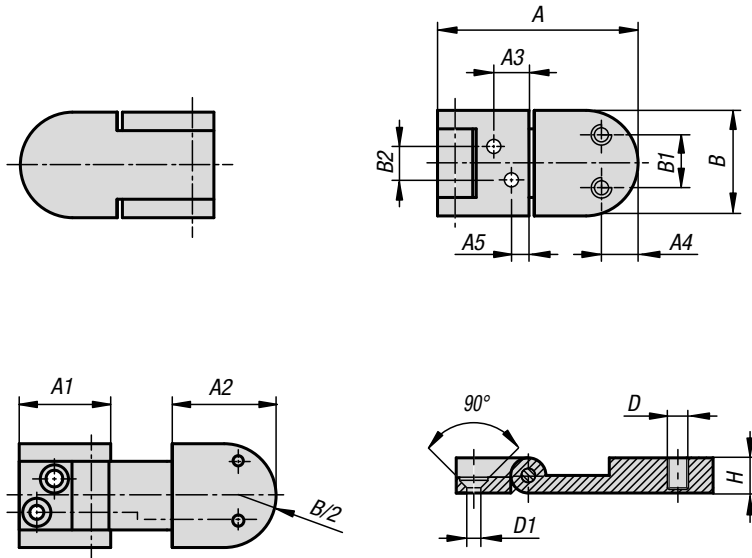
Material:
Stainless steel 1.4301.

Version:
Polished or blasted.

Sample order:
K1809.57300

Note:
The high-quality stainless steel hinges with fastening holes have an opening angle of 180°. The hinges can be used in the foodstuff, packaging, chemical and pharmaceutical industries.

The hinges are available in polished or abrasive blasted versions.

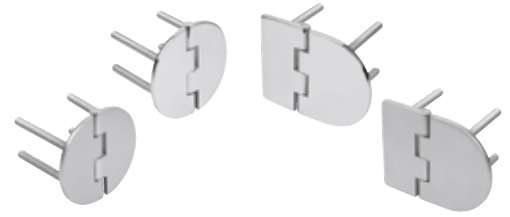


KIPP Hinges, stainless steel

Order No.	Surface finish body	A	A1	A2	A3	A4	A5	B	B1	B2	H	D	D1
K1809.57300	polished	57	26	29,5	10	12	5	30	16	9,5	10	M5	4
K1809.57301	blasted	57	26	29,5	10	12	5	30	16	9,5	10	M5	4

Hinges, stainless steel

with fastening screws



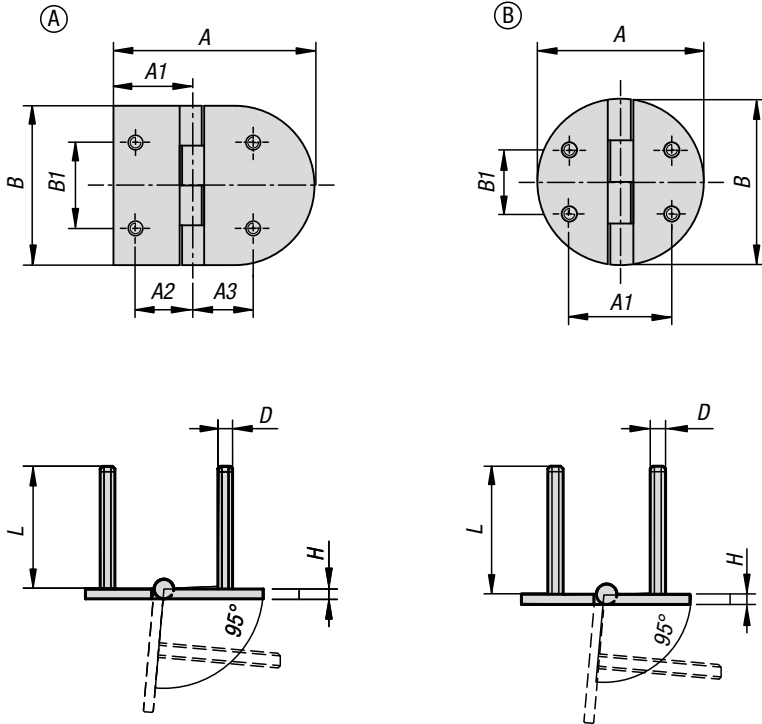
Material:
Stainless steel 1.4301.

Version:
Polished or blasted.

Sample order:
K1810.82651

Note:
The high quality stainless steel hinges with fastening screws have an opening angle of 95°. The hinges can be used in the foodstuff, packaging, chemical and pharmaceutical industries.

The hinges are available in polished or abrasive blasted versions.

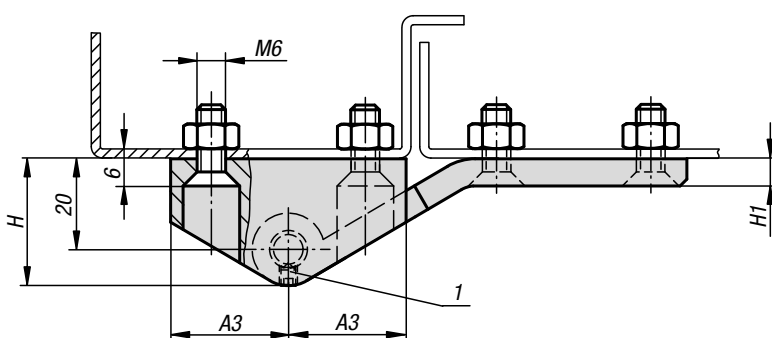
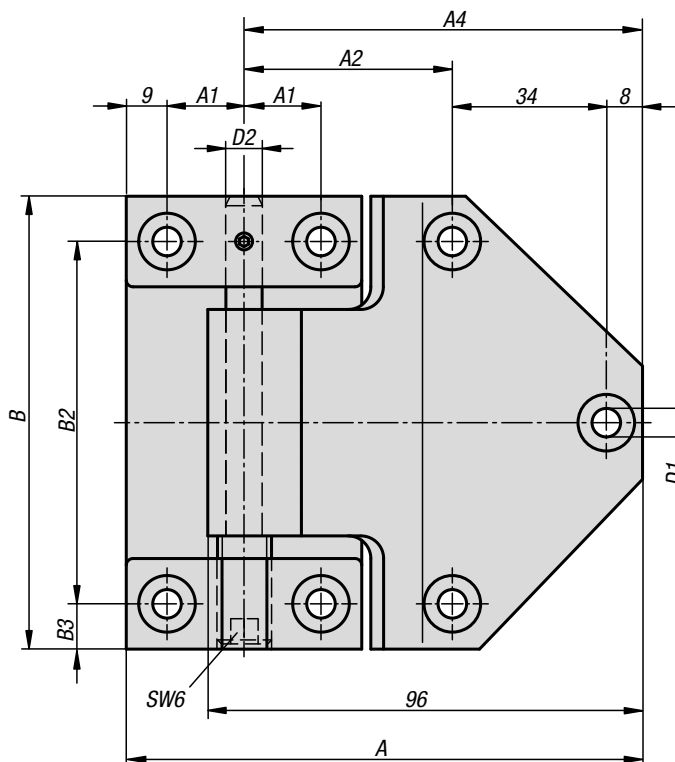


KIPP Stainless steel hinges with fastening screws

Order No.	Form	Form definition	Surface finish body	A	A1	A2	A3	B	B1	H	D	L
K1810.82650	A	oval	polished	82	32	23	25	65	32	4	M6	50
K1810.82651	A	oval	blasted	82	32	23	25	65	32	4	M6	50
K1810.65650	B	round	polished	65	40	-	-	65	25	4	M6	50
K1810.65651	B	round	blasted	65	40	-	-	65	25	4	M6	50

Single leaf hinges

adjustable, stainless steel



Material:

Stainless steel 1.4571.

Version:

Satin finished.

Sample order:

K1346.06884617

Note:

Single leaf hinge for inwards opening doors, screws on from outside. A screw on the hinge pin allows height adjustment of ± 4 mm.

The addition of titanium in stainless steel 1.4571 increases the corrosion resistance.

The opening angle is max. 180°.

Drawing reference:

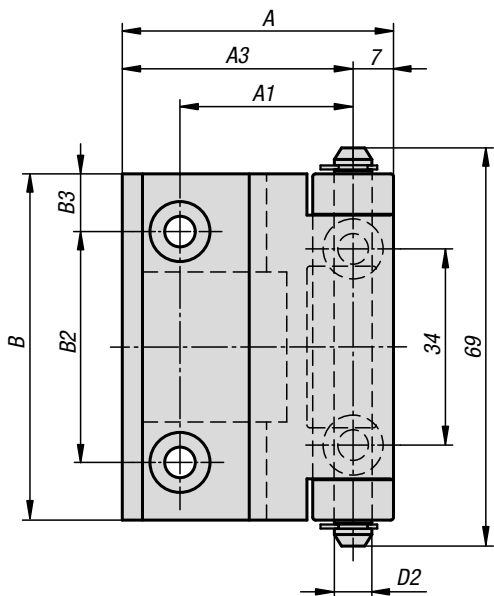
1) grub screw M4, DIN 916

KIPP Single leaf hinges, adjustable, stainless steel

Order No.	A	A1	A2	A3	A4	B	B2	B3	D1	D2	H	H1
K1346.06884617	114	17	46	26	88	100	80	10	6,3	8	28	6

Hinge

stainless steel



Material:

Hinge body stainless steel 1.4401.
Pin and retaining rings stainless steel 1.4305.

Version:

Satin finished.

Sample order:

K1348.0540073000

Note:

Hinge for flush constructions.
Right or left mounting.
Ideal for mounting on narrow frames.
The opening angle is max. 220°.

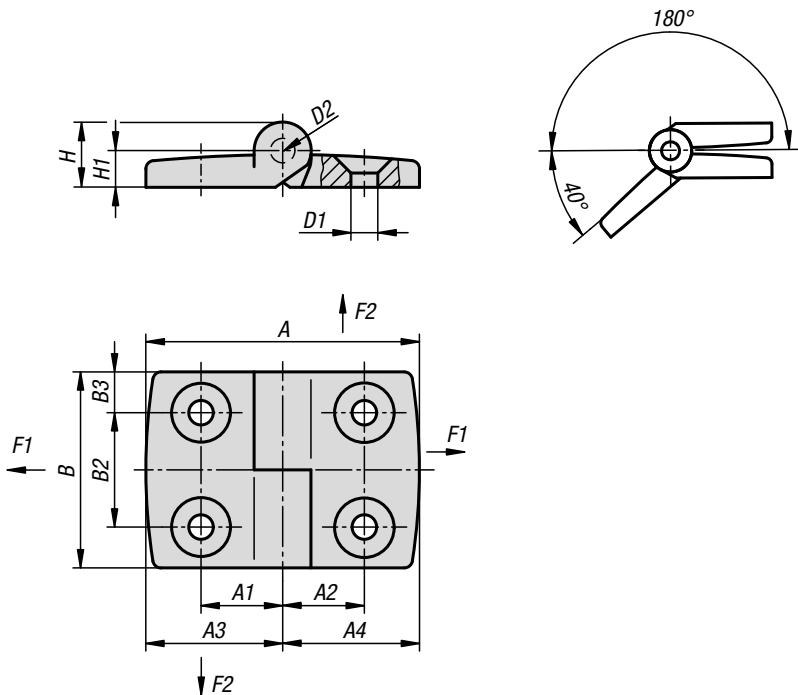


KIPP Hinge, stainless steel

Order No.	A	A1	A3	B	B2	B3	D1	D2	H	H1
K1348.0540073000	47	30	40	60	40	10	5,3	6,5	19,5	6

Hinges, stainless steel

lift-off, left



Material:

Hinge stainless steel 1.4401.

Pin stainless steel 1.4104.

Version:

High-gloss polished.

Sample order:

K1345.16261515

Note:

Hinge for panel elements and aluminium profiles, lift-off. Pin end closed. Screws countersunk, thus minimum dirt accumulation.

The loading values given for the hinges are non-binding reference values without consideration of safety factors and exclude any liability. The values given are for information purposes only and do not constitute a legally binding assurance of properties.

The load values have been determined under laboratory conditions. Each user must determine individually whether the hinge is suitable for the respective application.

Different materials onto which the hinges are installed and the type of mounting, weather conditions and wear can influence the determined values.

KIPP Hinges, stainless steel, lift-off, left

Order No.	A	A1	A2	A3	A4	B	B2	B3	D1	D2	H	H1	F1 N	F2 N
K1345.16261515	52	15	15	26	26	48	28	10	6,6	6	16	9	900	625
K1345.16301818	59	17,5	17,5	29,5	29,5	48	28	10	6,6	6	16	9	1000	710
K1345.16392323	77	22,5	22,5	38,5	38,5	48	28	10	6,6	6	16	9	1200	500
K1345.16442525	87	25	25	43,5	43,5	48	28	10	6,6	6	16	9	1200	450
K1345.16583333	115	32,5	32,5	57,5	57,5	48	28	10	6,6	6	16	9	1200	350

Hinges, stainless steel

lift-off, right



Material:

Hinge stainless steel 1.4401.

Pin stainless steel 1.4104.

Version:

High-gloss polished.

Sample order:

K1345.06261515

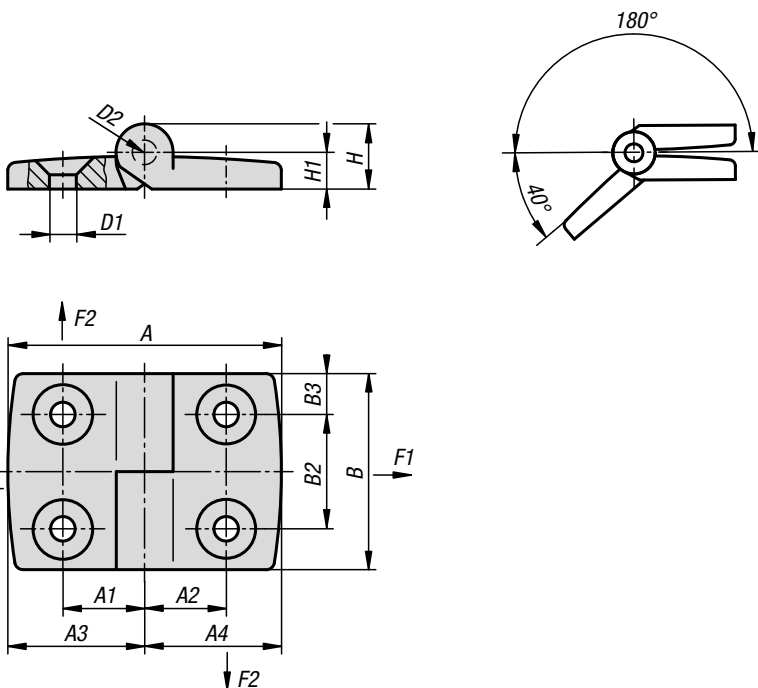
Note:

Hinge for panel elements and aluminium profiles, lift-off. Pin end closed. Screws countersunk, thus minimum dirt accumulation.

The loading values given for the hinges are non-binding reference values without consideration of safety factors and exclude any liability. The values given are for information purposes only and do not constitute a legally binding assurance of properties.

The load values have been determined under laboratory conditions. Each user must determine individually whether the hinge is suitable for the respective application.

Different materials onto which the hinges are installed and the type of mounting, weather conditions and wear can influence the determined values.

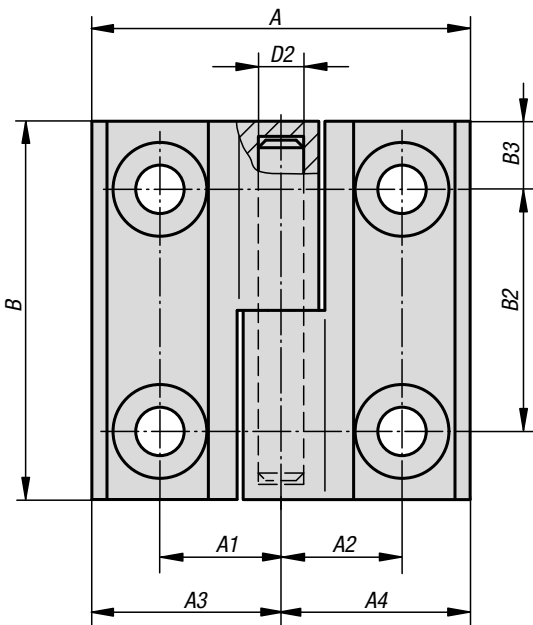
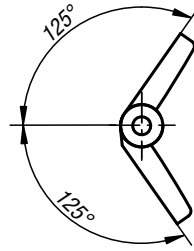
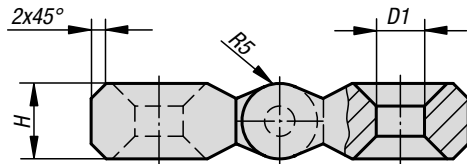


KIPP Hinges, stainless steel, lift-off, right

Order No.	A	A1	A2	A3	A4	B	B2	B3	D1	D2	H	H1	F1 N	F2 N
K1345.06261515	52	15	15	26	26	48	28	10	6,6	6	16	9	900	625
K1345.06301818	59	17,5	17,5	29,5	29,5	48	28	10	6,6	6	16	9	1000	710
K1345.06392323	77	22,5	22,5	38,5	38,5	48	28	10	6,6	6	16	9	1200	500
K1345.06442525	87	25	25	43,5	43,5	48	28	10	6,6	6	16	9	1200	450
K1345.06583333	115	32,5	32,5	57,5	57,5	48	28	10	6,6	6	16	9	1200	350

Hinges lift-off

stainless steel



Material:

Hinge and pin stainless steel 1.4401.

Version:

Satin finished.

Sample order:

K1342.06251616

Note:

This double symmetry hinge can be mounted right or left.

The opening angle is max. 125°.

The loading values given for the hinges are non-binding reference values, which do not consider safety factors and exclude any liability. The values given are for information purposes only and do not constitute a legally binding assurance of properties.

These load values were determined under laboratory conditions. Each user must determine individually whether the hinge is suitable for the respective application.

Wide differences in the materials on which the hinges are installed, the type of mounting, weather conditions and wear, can influence the determined values.

KIPP Hinges lift-off, stainless steel

Order No.	A	A1	A2	A3	A4	B	B2	B3	D1	D2	H	Load capacity N
K1342.06251616	50	16	16	25	25	50	32	9	6,4	6	10	5000

Strap hinges,

steel or stainless steel



Material:

Steel.
Stainless steel 1.4301.

Version:

Steel electro zinc-plated, chromed or matt brass plated.
Stainless steel matt polished. Steel electro zinc-plated, chromed or matt brass plated.
Stainless steel matt polished.

Sample order:

K1347.0541041222200 K1347.0541041222200

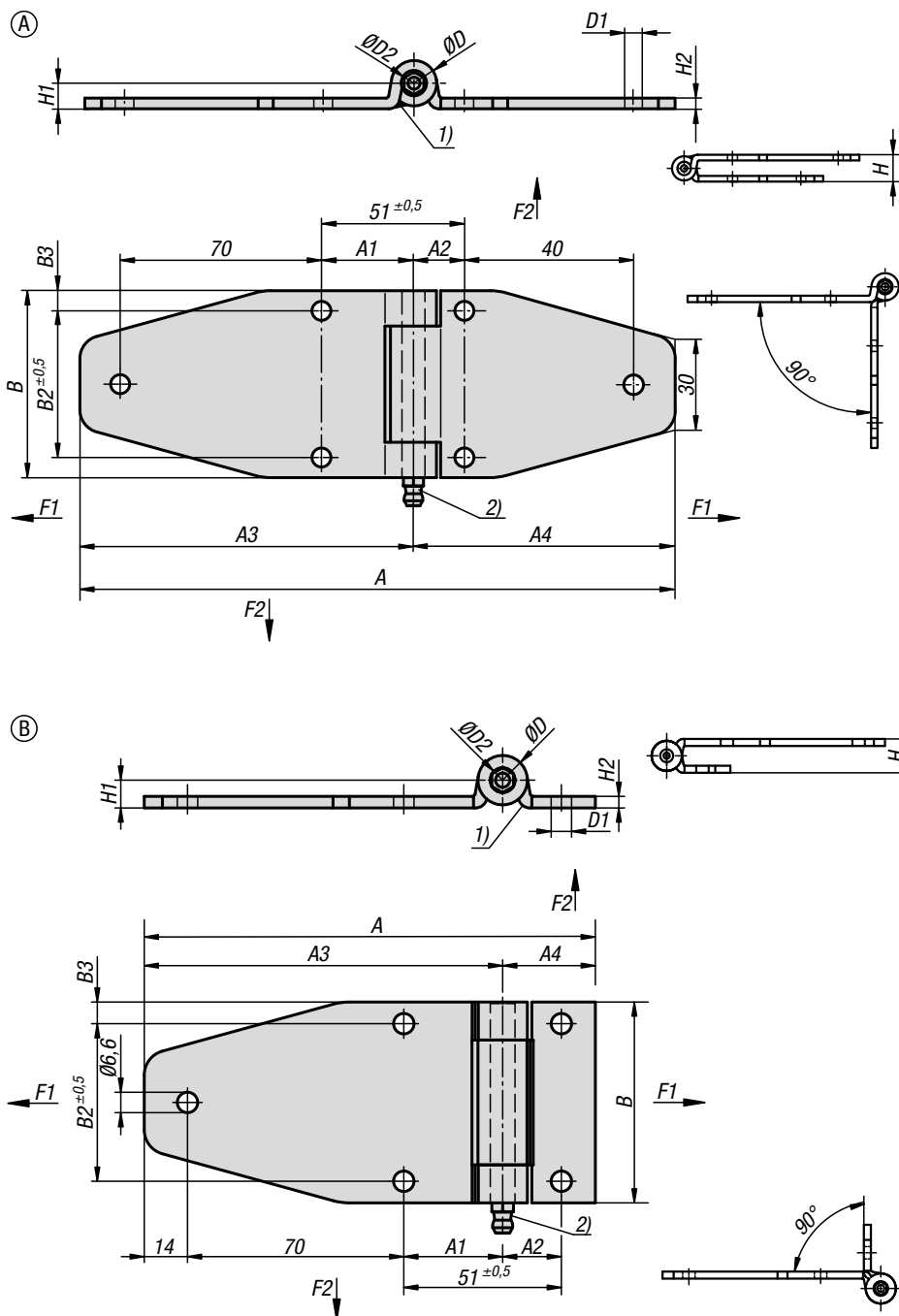
Note:

Strap hinge for in-frame doors.
The opening angle is max. 270°.

The loading values given for the hinges are non-binding reference values without consideration of safety factors and exclude any liability. The values given are for information purposes only and do not constitute a legally binding assurance of properties. These load values were determined under laboratory conditions. Each user must determine individually whether the hinge is suitable for the respective application. Different materials onto which the hinges are installed, the type of mounting, weather conditions and wear can influence the determined values.

Drawing reference:

- 1) Both rolled ends of long leaf are welded
- 2) Grease nipple
- 3) Fixed pin



KIPP Strap hinges, steel or stainless steel

Order No.	Form	Form definition	Main material	Surface finish body	A	A1	A2	A3	A4	B	B2	B3	F1 N	F2 N
K1347.06701161932	A	longer leaf	stainless steel A2	matt polished	186	32	19	116	70	65	51	7	-	2500
K1347.067011619321	A	longer leaf	steel	galvanised	186	32	19	116	70	65	51	7	7500	1300

Hinges

sheet steel or sheet stainless steel



Material:

Steel or stainless steel 1.4301.

Version:

Steel electro zinc-plated.

Stainless steel bright.

Sample order:

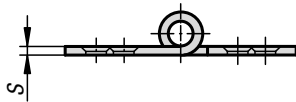
K1082.04201212

Note:

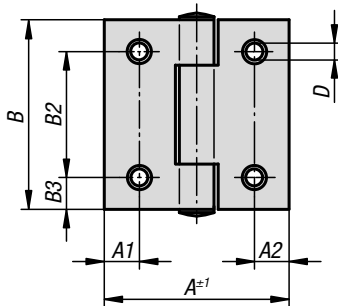
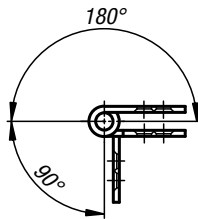
Rolled plate butt hinges.

Pins are riveted.

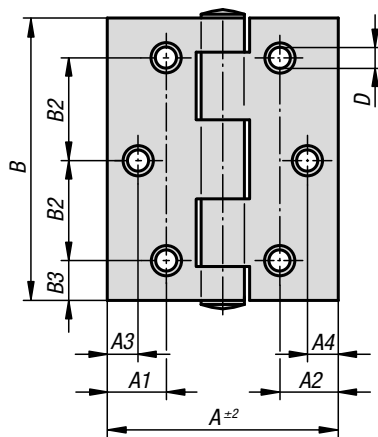
Screw holes countersunk.



(A)



(B)

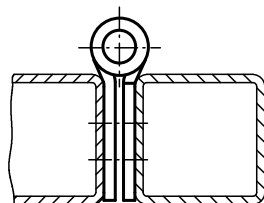
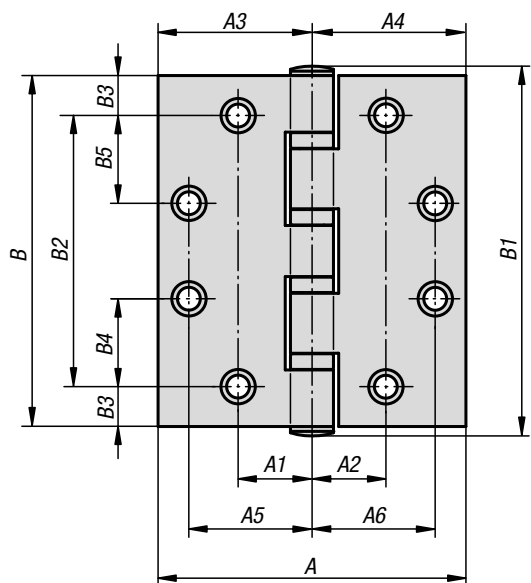
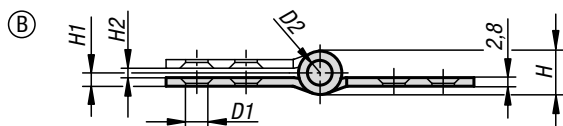
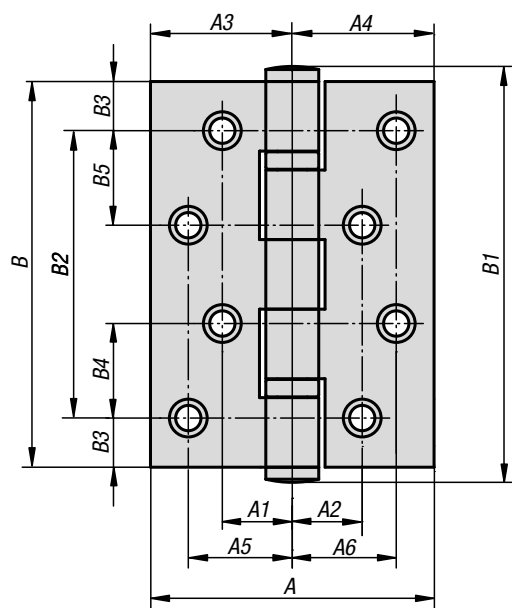
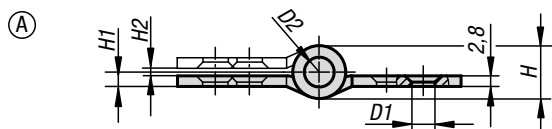


KIPP Hinges, sheet steel or sheet stainless steel

Order No.	Material	Form	A1	A2	A3	A4	A	B	B2	B3	D	S
K1082.04201212	steel	A	8,5	8,5	-	-	40	40	25	7,5	4	1
K1082.04301515	steel	B	15	15	8	8	60	60	22,5	7,5	4,5	1,5
K1082.104201212	stainless steel A2	A	8,5	8,5	-	-	40	40	25	7,5	4	1
K1082.104251414	stainless steel A2	B	11	11	8	8	50	50	18	7	4,5	1,25
K1082.104301515	stainless steel A2	B	15	15	8	8	60	60	22,5	7,5	4,5	1,5
K1082.105401515	stainless steel A2	B	25,3	25,3	12	12	80	80	30	10	5,2	1,5

Butt hinges

stainless steel



Material:
Stainless steel 1.4301.

Version:
Matt polished.

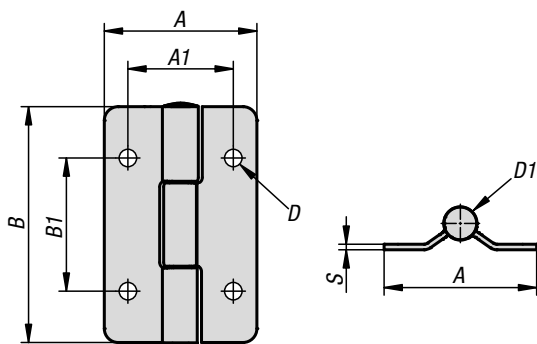
Sample order:
K1349.06371919

Note:
Butt hinge for inwards opening doors.
The opening angle is max. 270°.

KIPP Butt hinges stainless steel

Order No.	Form	A	A1	A2	A3	A4	A5	A6	B	B1	B2	B3	B4	B5	D1	D2	H	H1	H2	Load capacity N
K1349.06371919	A	75	18,5	18,5	37,5	37,5	27,5	27,5	102	110	76	13	25	25	6,7	8	14	3,8	2	8000
K1349.07502424	B	100	24	24	50	50	40	40	114	120	88	13	28,5	28,5	7,3	8	14	4,3	3	8000

Hinges, stainless steel



Material:
Stainless steel 1.4310.

Version:
Bright.

Sample order:
K1517.558512

Note:
Opening angle is max. 270°.

Accessories:
Hinges, stainless steel with preset friction K1518

KIPP Hinges, stainless steel

Order No.	A	A1	B	B1	D	D1	S
K1517.558512	55	38	85	48	6,3	12	2
K1517.558516	55	38	85	48	6,3	16	2

Hinges steel or stainless steel

internal, opening angle 90°



Material:

Steel, pins and connecting elements 1.4016 stainless steel.
Stainless steel, all components 1.4404 stainless steel.

Version:

Electro zinc-plated.
Bright.

Sample order:

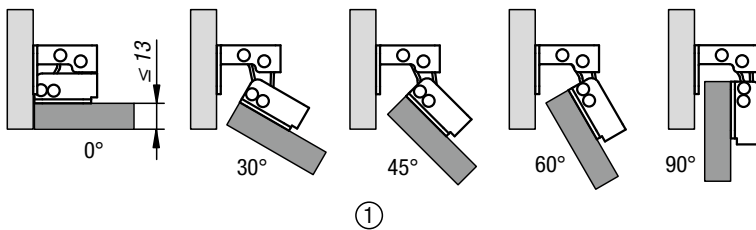
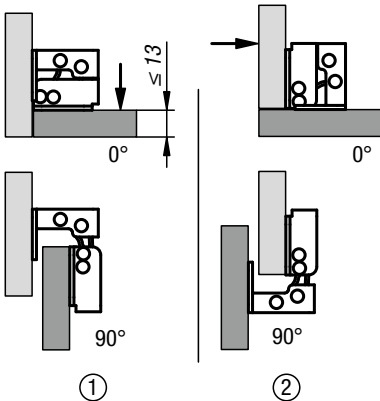
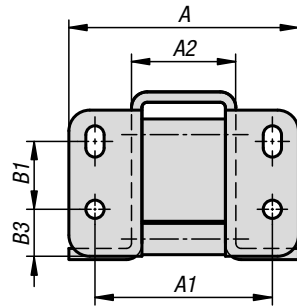
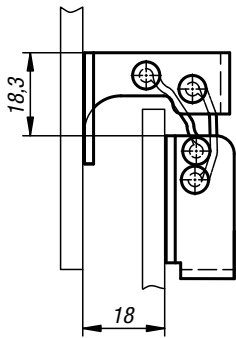
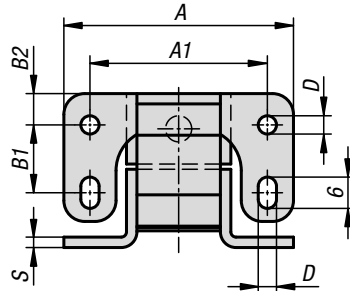
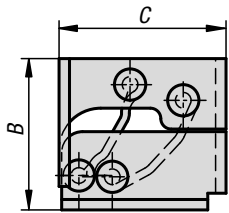
K1447.442932

Assembly:

- For recessed or surface mounting.
- Can be mounted on right or left side.
- For horizontal or vertical applications.

Drawing reference:

- 1) recessed mounting
- 2) surface mounting

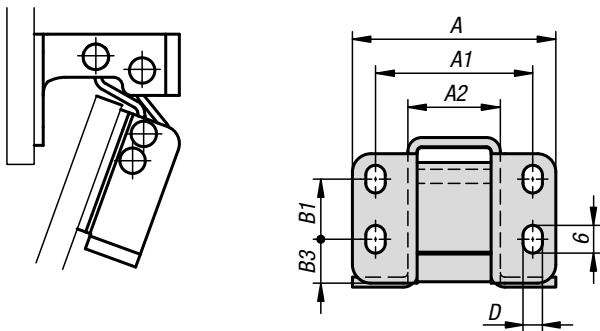
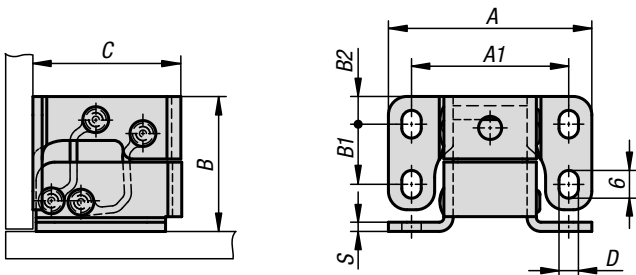


KIPP Hinges steel or stainless steel, internal, opening angle 90°

Order No.	Main material	A	A1	A2	B	B1	B2	B3	C	D	S
K1447.442932	steel	44	34	20	29	13	6	9,5	32	3,5	2
K1447.1442932	stainless steel A4	44	34	20	29	13	6	9,5	32	3,5	2

Hinges steel or stainless steel

internal, opening angle 125°



Material:

Steel, axis and connecting elements anodised aluminium.

Stainless steel 1.4404, axis and connecting elements anodised aluminium.

Version:

Electro zinc-plated.

Bright.

Sample order:

K1448.442932

Note:

The hinges are resistant to bending and torsion.

The opening angle depends on the door thickness:

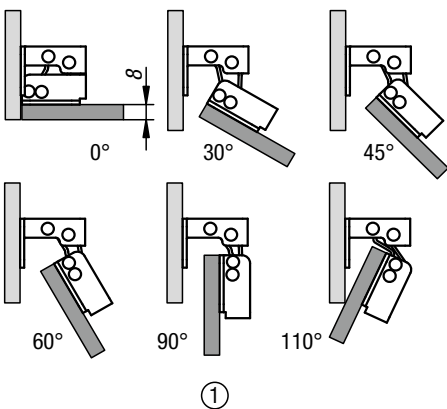
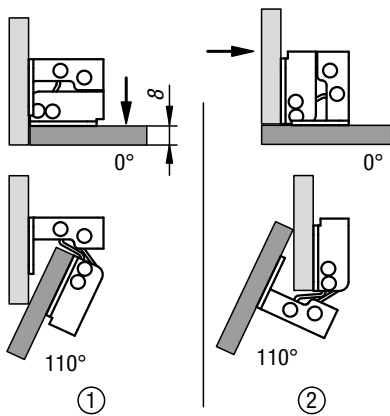
- max. 2 mm material thickness: opening angle 125°
- max. 8 mm material thickness: opening angle 110°
- max. 13 mm material thickness: opening angle 100°

Assembly:

- For recessed or surface mounting.
- Can be mounted on right or left side.
- For horizontal or vertical applications.

Drawing reference:

- 1) recessed mounting
- 2) surface mounting

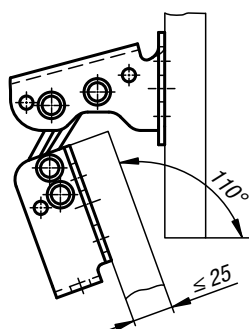
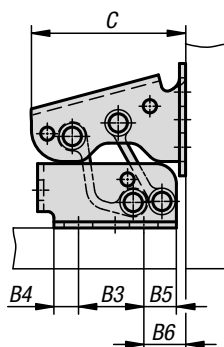
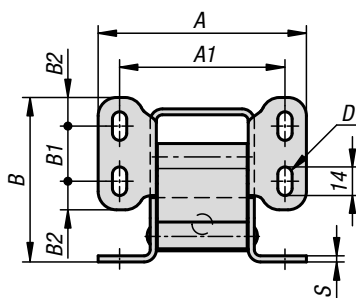


KIPP Hinges steel or stainless steel, internal, opening angle 125°

Order No.	Main material	A	A1	A2	B	B1	B2	B3	C	D	S
K1448.442932	steel	44	34	20	29	13	6	9,5	32	4,2	2
K1448.1442932	stainless steel A4	44	34	20	29	13	6	9,5	32	4,2	2

Hinge steel

internal, opening angle 110°



Material:

Steel, pins and connecting elements anodised aluminium.

Version:

Electro zinc-plated.

Sample order:

K1449.1028076

Note:

These hinges are the reinforced version. When hung on 2 hinges a 25 kg door can be opened and closed 10,000 times.

Application:

Invisible hinges for overlapping or inset doors.

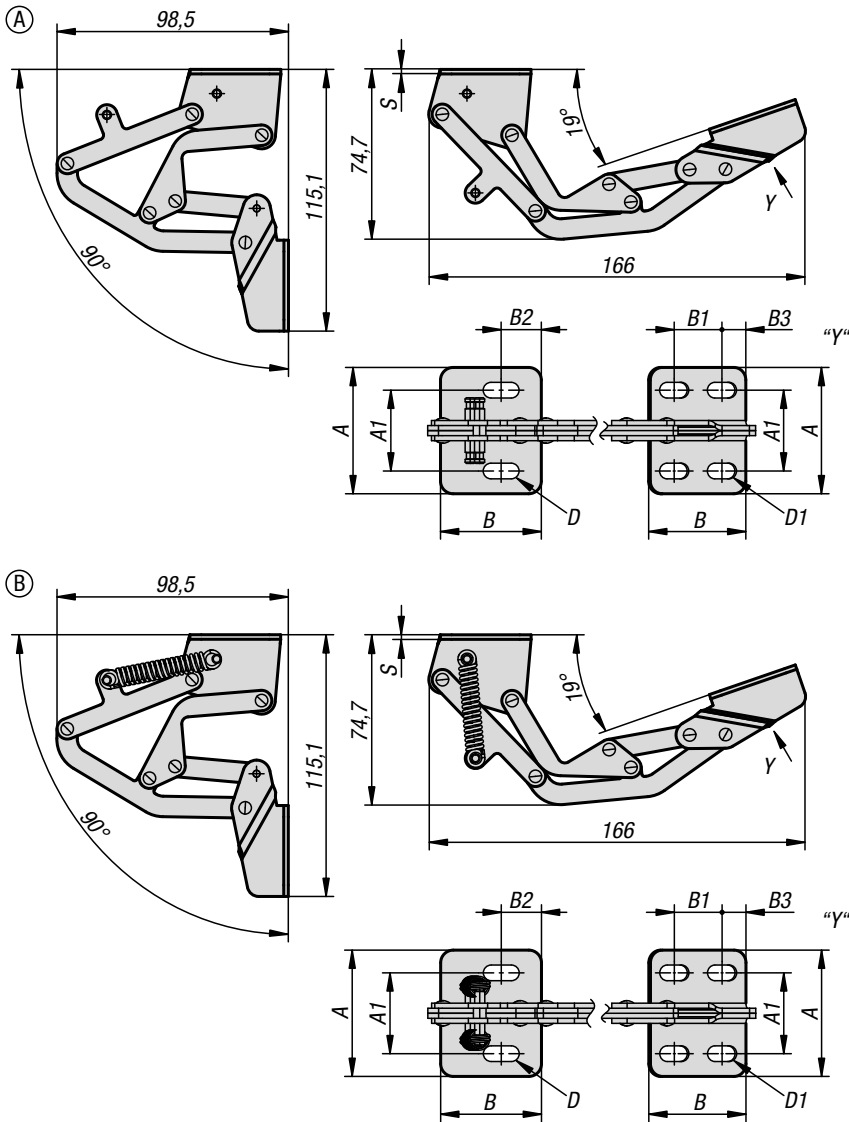


KIPP Hinge steel, internal, opening angle 110°

Order No.	A	A1	B	B1	B2	B3	B4	B5	B6	C	D	S
K1449.1028076	102	81	80,5	27	14	32	12	16	20,5	76	7	3

Hinges, steel

in-frame opening angle 110°



Material:
Steel.

Version:
Electro zinc-plated.

Sample order:
K1519.50400

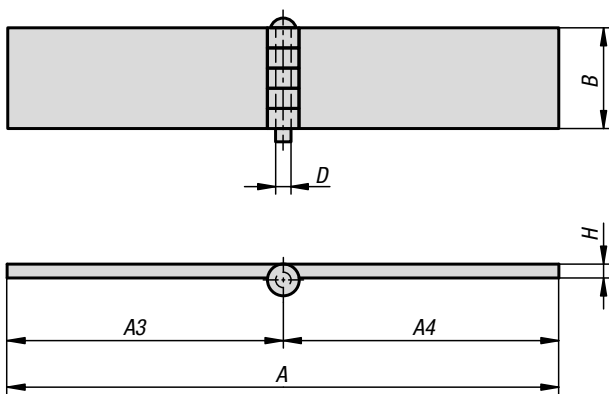
Note:
The hinges are suitable exclusively for horizontal applications.
The version with spring achieves a torque of 1.0 Nm when opening and a torque of 3.0 Nm when closing.
Opening angle 110°.

KIPP Hinges steel in-frame, opening angle 110°

Order No.	Form	Product type	A	A1	B	B1	B2	B3	D	D1	S
K1519.50400	A	in-frame hinge	50	32	40	20	16	10	6,2x14,2	6,2x12,2	2
K1519.50401	B	hinges, in-frame with spring	50	32	40	20	16	10	6,2x14,2	6,2x12,2	2

Hinges

weldable



Material:

Steel.

Version:

Bright.

Sample order:

K1140.04030040

Note:

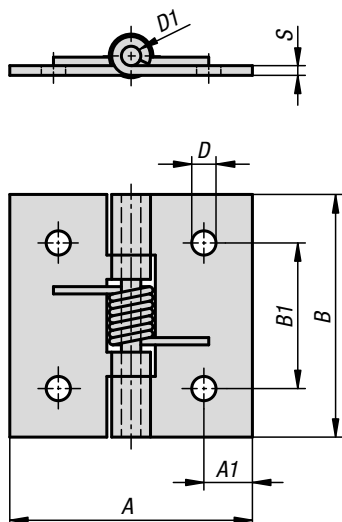
The hinges are made of weldable profile steel.

KIPP Weldable hinges

Order No.	A	A3	A4	B	D	H
K1140.04030040	80	40	40	30	4	3
K1140.04040040	80	40	40	40	4	3
K1140.06040030	60	30	30	40	6	5
K1140.06040060	120	60	60	40	6	5
K1140.06050060	120	60	60	50	6	5
K1140.06060060	120	60	60	60	6	5
K1140.08060080	160	80	80	60	8	6

Spring hinges

steel, stainless steel or aluminium, 50 mm



Material:

Steel, 1.4301 stainless steel or 5754 aluminium.
Tension spring steel or stainless steel.

Version:

Steel electro zinc-plated
Stainless steel and aluminium, bright.
Tension spring Zn/Al alloy.

Sample order:

K1173.50500

Note:

Barrel hinges.
Opening angle 270°.

Opening spring torque:

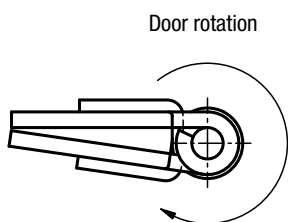
$M(0^\circ) : 1.5 \text{ Nm} / M(90^\circ) : 1.1 \text{ Nm} / M(180^\circ) : 0.65 \text{ Nm}$

Closing spring torque:

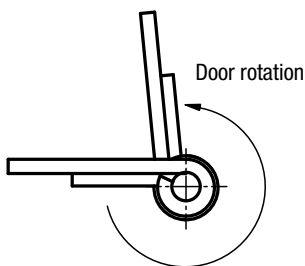
$M(0^\circ) : 0.25 \text{ Nm} / M(90^\circ) : 0.65 \text{ Nm} / M(180^\circ) : 1.1 \text{ Nm}$

By the aluminum hinges, the tension springs are steel alloyed with Zn/Al.

Hinges with closing spring



Hinges with opening spring



The loading values given for the hinges are non-binding reference values without consideration of safety factors and exclude any liability. The values given are for information purposes only and do not constitute a legally binding assurance of properties. These load values were determined under laboratory conditions. Each user must determine individually whether the hinge is suitable for the respective application.

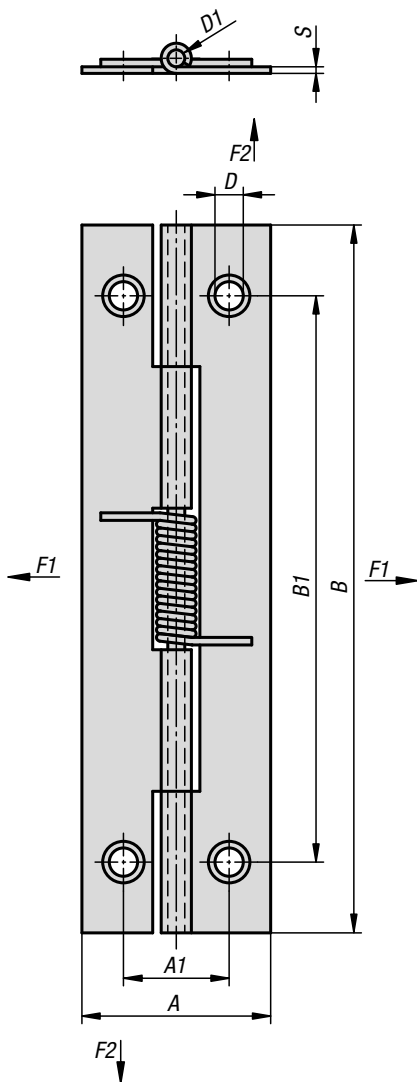
Different materials onto which the hinges are installed and the type of mounting, weather conditions and wear can influence the determined values.

KIPP Spring hinges, steel, stainless steel or aluminium 50 mm

Order No.	Version 1	Main material	A	A1	B	B1	D	D1	S	F1 N	F2 N
K1173.50500	spring open	steel	50	9	50	30	5	4	2	1200	1200
K1173.150500	spring open	stainless steel A2	50	10	50	30	5	4	2	2780	2830
K1173.250500	spring open	aluminium	50	9	50	30	5	4	2	1030	2110
K1173.50501	spring closed	steel	50	9	50	30	5	4	2	1200	1200
K1173.150501	spring closed	stainless steel A2	50	10	50	30	5	4	2	2780	2830
K1173.250501	spring closed	aluminium	50	9	50	30	5	4	2	1030	2110

Spring hinges

steel or stainless steel, 75 mm



Material:

Steel or 1.4301 stainless steel.
Tension spring stainless steel.

Version:

Bright.

Sample order:

K1174.20750

Note:

Barrel hinges.
Opening angle 270°.

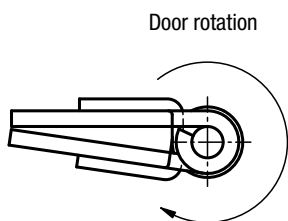
Opening spring torque:

$M(0^\circ) : 0.12 \text{ Nm} / M(90^\circ) : 0.09 \text{ Nm} / M(180^\circ) : 0.06 \text{ Nm}$

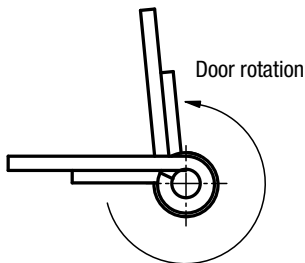
The loading values given for the hinges are non-binding reference values without consideration of safety factors and exclude any liability. The values given are for information purposes only and do not constitute a legally binding assurance of properties. These load values were determined under laboratory conditions. Each user must determine individually whether the hinge is suitable for the respective application.

Different materials onto which the hinges are installed and the type of mounting, weather conditions and wear can influence the determined values.

Hinges with closing spring



Hinges with opening spring

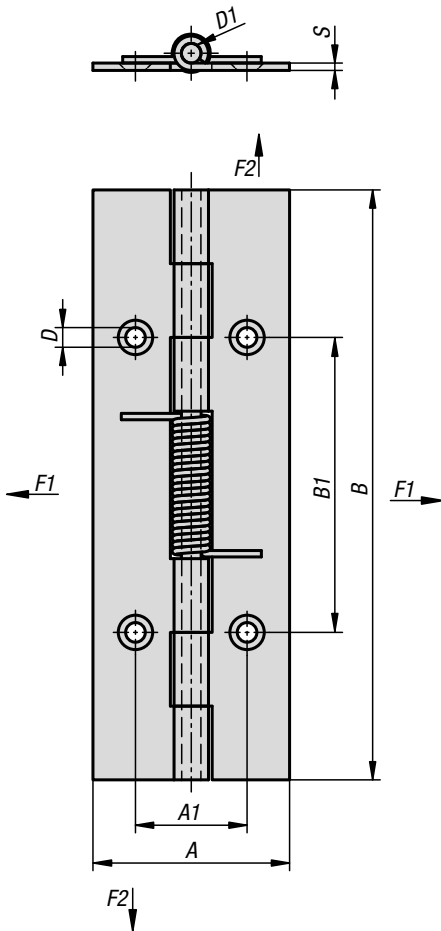


KIPP Spring hinges steel or stainless steel, 75 mm

Order No.	Main material	A	A1	B	B1	D	D1	S	F1 N	F2 N
K1174.20750	steel	20	11,2	75	60	2,8	1,8	0,8	1180	1210
K1174.120750	stainless steel A2	20	11,2	75	60	2,8	1,8	0,8	1430	1740

Spring hinges

steel, stainless steel or aluminium, 120 mm



Material:

Steel, 1.4301 stainless steel or 5754 aluminium.
Tension spring steel or stainless steel.

Version:

Steel bright or electro zinc-plated
Stainless steel and aluminium, bright.
Tension spring Zn/Al alloy.

Sample order:

K1175.4012000

Note:

Barrel hinges.
Opening angle 270°.

Opening spring torque:

$M(0^\circ) : 0.85 \text{ Nm} / M(90^\circ) : 0.56 \text{ Nm} / M(180^\circ) : 0.28 \text{ Nm}$

Closing spring torque:

$M(0^\circ) : 0.28 \text{ Nm} / M(90^\circ) : 0.56 \text{ Nm} / M(180^\circ) : 0.85 \text{ Nm}$

By the aluminium hinges, the tension springs are steel alloyed with Zn/Al.

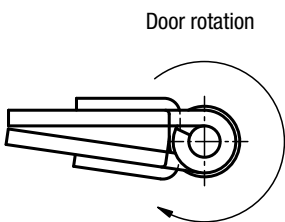
Form A: without holes

Form B: with holes

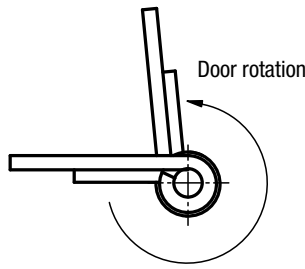
The loading values given for the hinges are non-binding reference values without consideration of safety factors and exclude any liability. The values given are for information purposes only and do not constitute a legally binding assurance of properties.

These load values were determined under laboratory conditions. Each user must determine individually whether the hinge is suitable for the respective application. Different materials onto which the hinges are installed and the type of mounting, weather conditions and wear can influence the determined values.

Hinges with closing spring



Hinges with opening spring

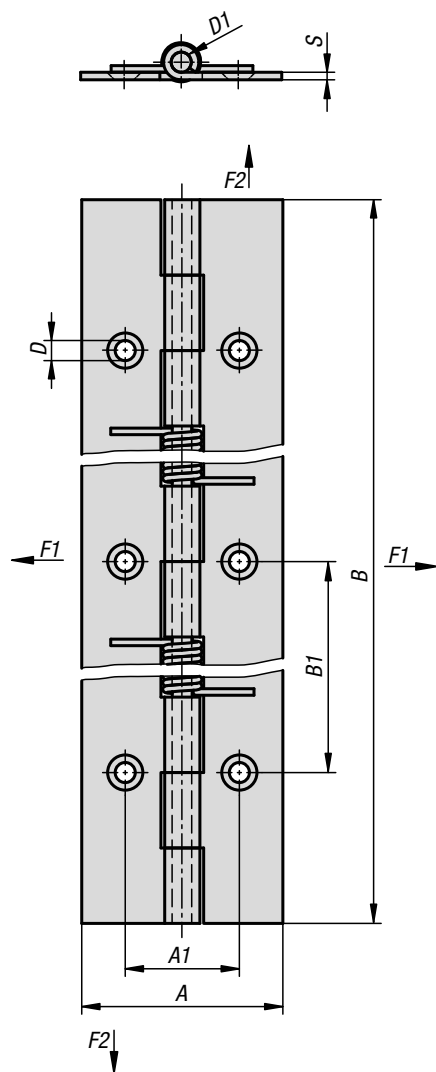


KIPP Spring hinges, steel, stainless steel or aluminium 120 mm

Order No.	Form	Version 1	Main material	A	A1	B	B1	D	D1	S	F1 N	F2 N
K1175.4012000	A	spring open	steel	40	-	120	-	-	4	1,5	1970	5420
K1175.4012001	B	spring open	steel	40	22,7	120	60	4	4	1,5	1970	5420
K1175.14012000	A	spring open	stainless steel A2	40	-	120	-	-	4	1,5	4100	10300
K1175.14012001	B	spring open	stainless steel A2	40	22,7	120	60	4	4	1,5	4100	10300
K1175.24012000	A	spring open	aluminium	40	-	120	-	-	4	1,5	1970	5420
K1175.24012001	B	spring open	aluminium	40	22,7	120	60	4	4	1,5	1970	5420
K1175.4012010	A	spring closed	steel	40	-	120	-	-	4	1,5	1970	5420
K1175.4012011	B	spring closed	steel	40	22,7	120	60	4	4	1,5	1970	5420
K1175.14012010	A	spring closed	stainless steel A2	40	-	120	-	-	4	1,5	4100	10300
K1175.14012011	B	spring closed	stainless steel A2	40	22,7	120	60	4	4	1,5	4100	10300
K1175.24012010	A	spring closed	aluminium	40	-	120	-	-	4	1,5	1970	5420
K1175.24012011	B	spring closed	aluminium	40	22,7	120	60	4	4	1,5	1970	5420

Spring hinges

steel or stainless steel, 180 mm



Material:

Steel or 1.4301 stainless steel.
Tension spring stainless steel.

Version:

Steel bright or electro zinc-plated.
Stainless steel bright.

Sample order:

K1176.4018000

Note:

Barrel hinges.
Opening angle 270°.

Opening spring torque:

$M(0^\circ) : 1.7 \text{ Nm} / M(90^\circ) : 1.1 \text{ Nm} / M(180^\circ) : 0.56 \text{ Nm}$

Closing spring torque:

$M(0^\circ) : 0.56 \text{ Nm} / M(90^\circ) : 1.1 \text{ Nm} / M(180^\circ) : 1.7 \text{ Nm}$

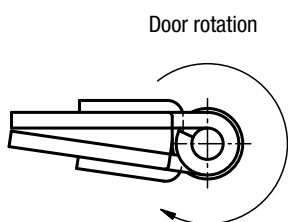
Form A: without holes

Form B: with holes

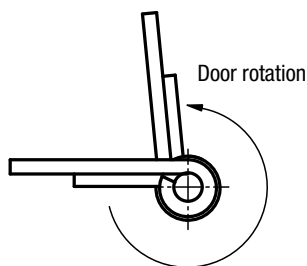
The loading values given for the hinges are non-binding reference values without consideration of safety factors and exclude any liability. The values given are for information purposes only and do not constitute a legally binding assurance of properties. These load values were determined under laboratory conditions. Each user must determine individually whether the hinge is suitable for the respective application.

Different materials onto which the hinges are installed and the type of mounting, weather conditions and wear can influence the determined values.

Hinges with closing spring



Hinges with opening spring

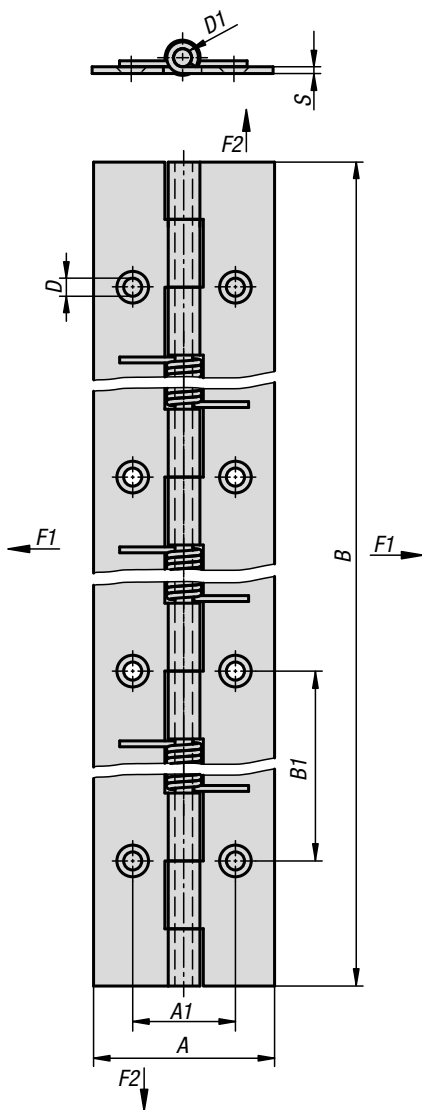


KIPP Spring hinges steel or stainless steel, 180 mm

Order No.	Form	Version 1	Main material	A	A1	B	B1	D	D1	S	F1 N	F2 N
K1176.4018000	A	spring open	steel	40	-	180	-	-	4	1,5	4150	10750
K1176.4018001	B	spring open	steel	40	22,7	180	60	4	4	1,5	4150	10750
K1176.14018000	A	spring open	stainless steel A2	40	-	180	-	-	4	1,5	4150	10750
K1176.14018001	B	spring open	stainless steel A2	40	22,7	180	60	4	4	1,5	4150	10750
K1176.4018010	A	spring closed	steel	40	-	180	-	-	4	1,5	4150	10750
K1176.4018011	B	spring closed	steel	40	22,7	180	60	4	4	1,5	4150	10750
K1176.14018010	A	spring closed	stainless steel A2	40	-	180	-	-	4	1,5	4150	10750
K1176.14018011	B	spring closed	stainless steel A2	40	22,7	180	60	4	4	1,5	4150	10750

Spring hinges

steel or stainless steel, 240 mm



Material:

Steel or 1.4301 stainless steel.
Tension spring stainless steel.

Version:

Steel bright or electro zinc-plated.
Stainless steel bright.

Sample order:

K1177.4024000

Note:

Barrel hinges.
Opening angle 270°.

Opening spring torque:

$M(0^\circ) : 2.55 \text{ Nm} / M(90^\circ) : 1.68 \text{ Nm} / M(180^\circ) : 0.84 \text{ Nm}$

Closing spring torque:

$M(0^\circ) : 0.84 \text{ Nm} / M(90^\circ) : 1.68 \text{ Nm} / M(180^\circ) : 2.55 \text{ Nm}$

Form A: without holes

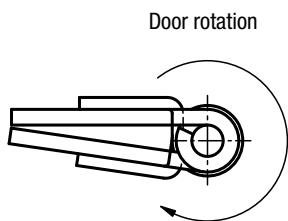
Form B: with holes

The loading values given for the hinges are non-binding reference values without consideration of safety factors and exclude any liability. The values given are for information purposes only and do not constitute a legally binding assurance of properties.

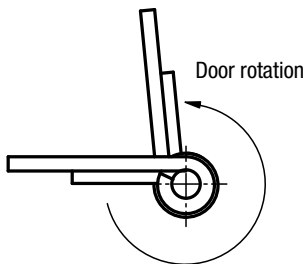
These load values were determined under laboratory conditions. Each user must determine individually whether the hinge is suitable for the respective application.

Different materials onto which the hinges are installed and the type of mounting, weather conditions and wear can influence the determined values.

Hinges with closing spring



Hinges with opening spring

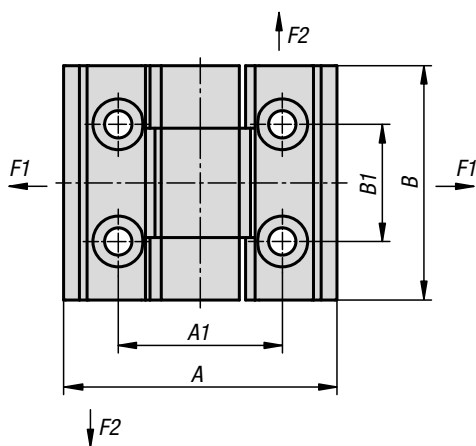
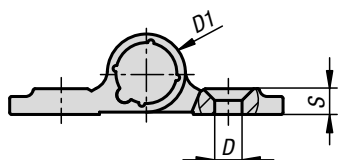


KIPP Spring hinges steel or stainless steel, 240 mm

Order No.	Form	Version 1	Main material	A	A1	B	B1	D	D1	S	F1 N	F2 N
K1177.4024000	A	spring open	steel	40	-	240	-	-	4	1,5	5800	13100
K1177.4024001	B	spring open	steel	40	22,7	240	60	4	4	1,5	5800	13100
K1177.14024000	A	spring open	stainless steel A2	40	-	240	-	-	4	1,5	9200	20400
K1177.14024001	B	spring open	stainless steel A2	40	22,7	240	60	4	4	1,5	9200	20400
K1177.4024010	A	spring closed	steel	40	-	240	-	-	4	1,5	5800	13100
K1177.4024011	B	spring closed	steel	40	22,7	240	60	4	4	1,5	5800	13100
K1177.14024010	A	spring closed	stainless steel A2	40	-	240	-	-	4	1,5	9200	20400
K1177.14024011	B	spring closed	stainless steel A2	40	22,7	240	60	4	4	1,5	9200	20400

Spring hinges

aluminium profile, 0.2 Nm



Material:

Aluminium 6060 T5.
Cover plug PA 6.6.

Version:

Black anodised.
Colourless anodised.

Sample order:

K1178.353001

Note:

The hinges are fitted with an integrated steel tension spring. This enables automatic opening and closing of doors and hatches.
Opening angle 270°.

Opening spring torque:

$M(0^\circ) : 0.23 \text{ Nm} / M(90^\circ) : 0.15 \text{ Nm} / M(180^\circ) : 0.08 \text{ Nm}$

Closing spring torque:

$M(0^\circ) : 0.08 \text{ Nm} / M(90^\circ) : 0.15 \text{ Nm} / M(180^\circ) : 0.23 \text{ Nm}$

Fastened using DIN 7991 countersunk screws.

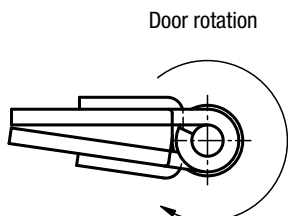
The loading values given for the hinges are non-binding reference values without consideration of safety factors and exclude any liability. The values given are for information purposes only and do not constitute a legally binding assurance of properties.

These load values were determined under laboratory conditions. Each user must determine individually whether the hinge is suitable for the respective application. Different materials onto which the hinges are installed and the type of mounting, weather conditions and wear can influence the determined values.

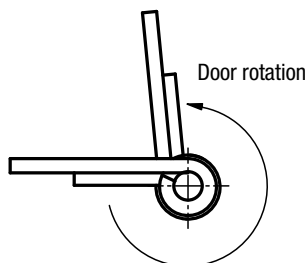
Temperature range:

From -20°C to +80°C

Hinges with closing spring



Hinges with opening spring



KIPP Spring hinges aluminium profile, 0.2 Nm

Order No.	Version 1	Main colour	A	A1	B	B1	D	D1	S
K1178.353001	spring open	black	35	21	30	15	3,5	10	3,3
K1178.35300	spring open	colourless	35	21	30	15	3,5	10	3,5
K1178.353011	spring closed	black	35	21	30	15	3,5	10	3,3
K1178.35301	spring closed	colourless	35	21	30	15	3,5	10	3,5

Spring hinges

aluminium profile, 0.35 Nm



Material:

Aluminium 6060 T5.
End caps PA 6.6.
Washers POM.

Version:

Black anodised.
Colourless anodised.

Sample order:

K1179.556701

Note:

The hinges are equipped with an integrated steel tension spring. This allows automatic opening and closing of doors and hatches.
Opening angle 270°.

Opening spring torque:

M(0°) : 0.35 Nm / M(90°) : 0.24 Nm / M(180°) : 0.12 Nm

Closing spring torque:

M(0°) : 0.12 Nm / M(90°) : 0.24 Nm / M(180°) : 0.35 Nm

These hinges are designed for more than 30,000 switching cycles.

Fastening with socket head screws as described in DIN 912/ DIN EN ISO 4762.

The loading values given for the hinges are non-binding reference values, which do not consider safety factors and exclude any liability. The values given are for information purposes only and do not constitute a legally binding assurance of properties.

These load values were determined under laboratory conditions. Each user must determine individually whether the hinge is suitable for the respective application.

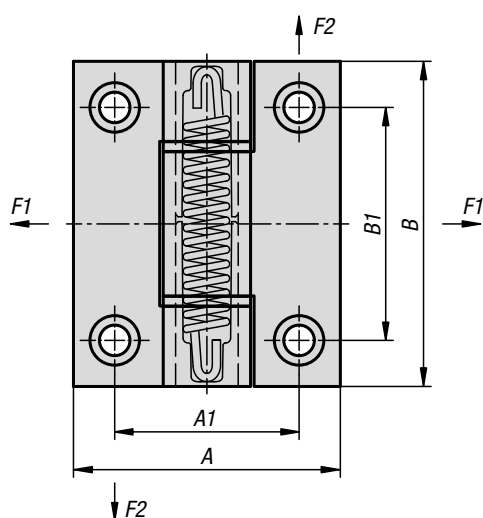
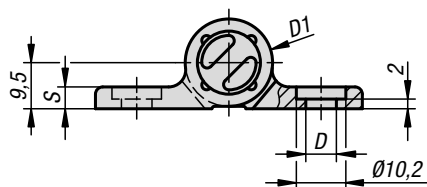
Wide differences in the materials on which the hinges are installed, the type of mounting, weather conditions and wear, can influence the determined values.

Temperature range:

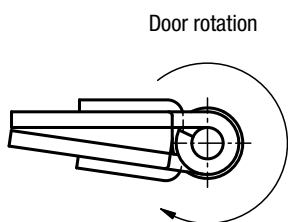
From -20°C to +80°C

Accessories:

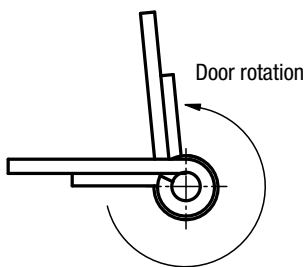
Socket head screws with hexagon socket DIN 912/ EN ISO 4762.



Hinges with closing spring



Hinges with opening spring

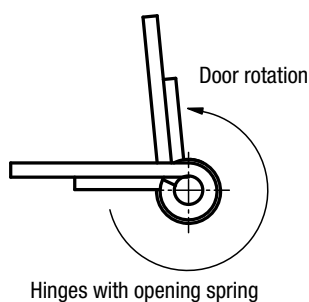
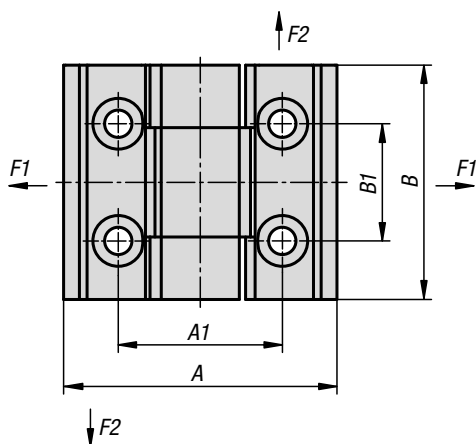
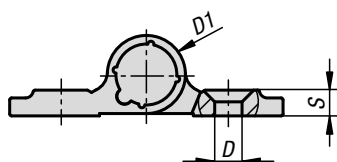


KIPP Spring hinges aluminium profile, 0.35 Nm

Order No.	Version 1	Main colour	Surface finish body	A	A1	B	B1	D	D1	S	F1 N	F2 N
K1179.556701	spring open	black	anodised	55	38	67	48	6,3	18	4,5	5000	4200
K1179.55670	spring open	colourless	anodised	55	38	67	48	6,3	18	4,5	5000	4200
K1179.556711	spring closed	black	anodised	55	38	67	48	6,3	18	4,5	5000	4200
K1179.55671	spring closed	colourless	anodised	55	38	67	48	6,3	18	4,5	5000	4200

Spring hinges

aluminium profile, 0.50 Nm



Material:

Aluminium 6060 T5.
End caps PA 6.6.
Washers POM.

Version:

Black anodised.
Colourless anodised.

Sample order:

K1665.35600

Note:

The hinges are equipped with an integrated steel tension spring. This enables automatic opening and closing of doors and hatches. Opening angle 270°.

Opening spring torque:

$M(0^\circ) : 0.48 \text{ Nm} / M(90^\circ) : 0.3 \text{ Nm} / M(180^\circ) : 0.16 \text{ Nm}$

Fastened using DIN 7991 countersunk screws.

The loading values given for the hinges are non-binding reference values without consideration of safety factors and exclude any liability. The values given are for information purposes only and do not constitute a legally binding assurance of properties. These load values were determined under laboratory conditions. Each user must determine individually whether the hinge is suitable for the respective application.

Different materials onto which the hinges are installed and the type of mounting, weather conditions and wear can influence the determined values.

Temperature range:

From -20°C to +80°C

KIPP Spring hinges aluminium profile, 0.50 Nm

Order No.	Version 1	Main colour	A	A1	B	B1	D	D1	S	F1 N	F2 N
K1665.354001	spring open	black	35	21	60	30	3,5	10	3,3	2700	4200
K1665.35400	spring open	colourless	35	21	60	30	3,5	10	3,3	2700	4200

Spring hinges

aluminium profile, 0.7 Nm



Material:

Aluminium 6060 T5.
End caps PA 6.6.
Washers POM.

Version:

Black anodised.
Colourless anodised.

Sample order:

K1180.556701

Note:

The hinges are equipped with an integrated steel tension spring. This allows automatic opening and closing of doors and hatches.
Opening angle 270°.

Opening spring torque:

$M(0^\circ) : 0.7 \text{ Nm} / M(90^\circ) : 0.45 \text{ Nm} / M(180^\circ) : 0.23 \text{ Nm}$

Closing spring torque:

$M(0^\circ) : 0.23 \text{ Nm} / M(90^\circ) : 0.45 \text{ Nm} / M(180^\circ) : 0.7 \text{ Nm}$

These hinges are designed for more than 30,000 switching cycles.

Fastening with socket head screws as described in DIN 912/ DIN EN ISO 4762.

The loading values given for the hinges are non-binding reference values, which do not consider safety factors and exclude any liability. The values given are for information purposes only and do not constitute a legally binding assurance of properties.

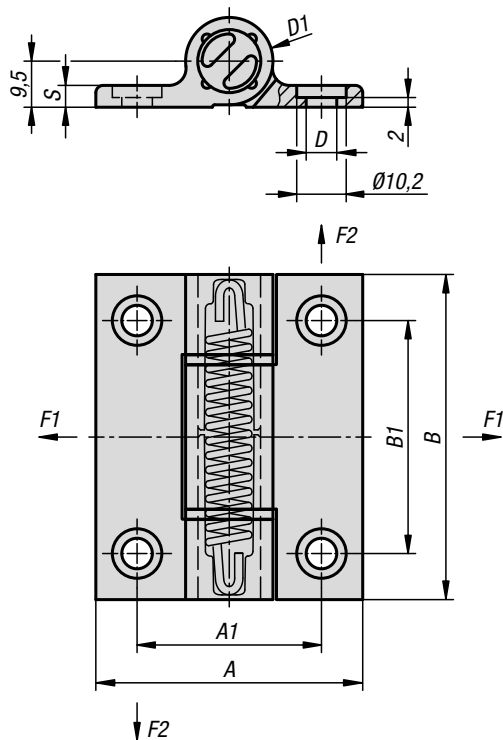
These load values were determined under laboratory conditions. Each user must determine individually whether the hinge is suitable for the respective application. Wide differences in the materials on which the hinges are installed, the type of mounting, weather conditions and wear, can influence the determined values.

Temperature range:

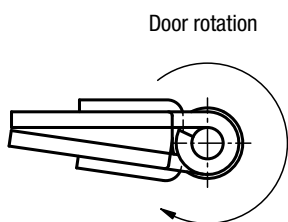
From -20°C to +80°C

Accessories:

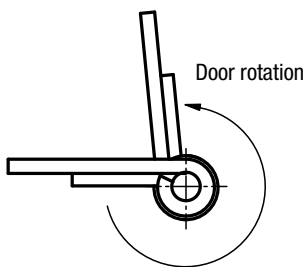
Socket head screws with hexagon socket DIN 912/ EN ISO 4762.



Hinges with closing spring



Hinges with opening spring

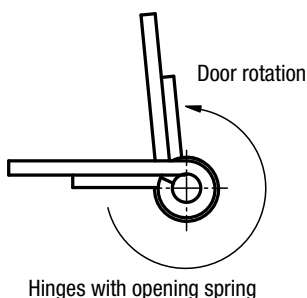
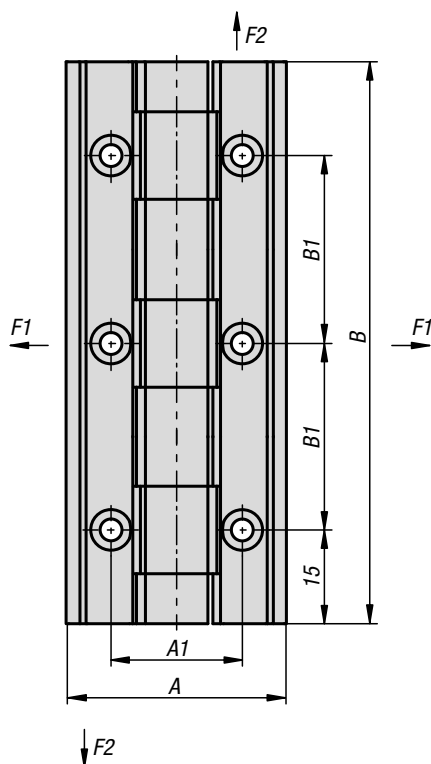
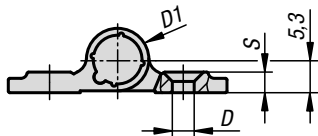


KIPP Spring hinges aluminium profile, 0.7 Nm

Order No.	Version 1	Main colour	A	A1	B	B1	D	D1	S	F1 N	F2 N
K1180.556701	spring open	black	55	38	67	48	6,3	18	4,5	5000	4200
K1180.55670	spring open	colourless	55	38	67	48	6,3	18	4,5	5000	4200
K1180.556711	spring closed	black	55	38	67	48	6,3	18	4,5	5000	4200
K1180.55671	spring closed	colourless	55	38	67	48	6,3	18	4,5	5000	4200

Spring hinges

aluminium profile, 0.7 Nm, long version



Material:

Aluminium 6060 T5.
Cover plug PA 6.6.

Version:

Black anodised.
Colourless anodised.

Sample order:

K1666.359001

Note:

The hinges are equipped with an integrated steel tension spring. This enables automatic opening and closing of doors and hatches.
Opening angle 270°.

Opening spring torque:

$M(0^\circ) : 0.7 \text{ Nm} / M(90^\circ) : 0.5 \text{ Nm} / M(180^\circ) : 0.3 \text{ Nm}$

Fastened using DIN 7991 countersunk screws.

The loading values given for the hinges are non-binding reference values without consideration of safety factors and exclude any liability. The values given are for information purposes only and do not constitute a legally binding assurance of properties. These load values were determined under laboratory conditions. Each user must determine individually whether the hinge is suitable for the respective application.

Different materials onto which the hinges are installed and the type of mounting, weather conditions and wear can influence the determined values.

Temperature range:

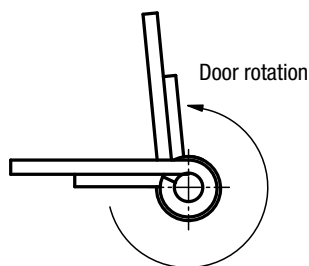
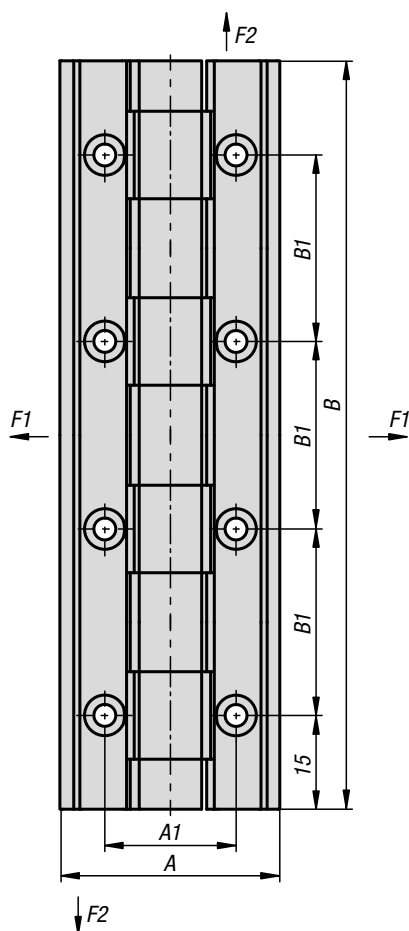
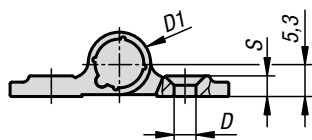
From -20°C to +80°C

KIPP Spring hinges aluminium profile, 0.7 Nm, long version

Order No.	Version 1	Main colour	A	A1	B	B1	D	D1	S	F1 N	F2 N
K1666.359001	spring open	black	35	21	90	30	3,5	10	3,3	3400	7000
K1666.35900	spring open	colourless	35	21	90	30	3,5	10	3,3	3400	7000

Spring hinges

aluminium profile, 0.9 Nm, long version



Hinges with opening spring



Material:

Aluminium 6060 T5.
Cover plug PA 6.6.

Version:

Black anodised.
Colourless anodised.

Sample order:

K1667.3512001

Note:

The hinges are equipped with an integrated steel tension spring. This enables automatic opening and closing of doors and hatches. Opening angle 270°.

Opening spring torque:

$M(0^\circ) : 0.92 \text{ Nm} / M(90^\circ) : 0.7 \text{ Nm} / M(180^\circ) : 0.44 \text{ Nm}$

Fastened using DIN 7991 countersunk screws.

The loading values given for the hinges are non-binding reference values without consideration of safety factors and exclude any liability. The values given are for information purposes only and do not constitute a legally binding assurance of properties. These load values were determined under laboratory conditions. Each user must determine individually whether the hinge is suitable for the respective application.

Different materials onto which the hinges are installed and the type of mounting, weather conditions and wear can influence the determined values.

Temperature range:

From -20°C to +80°C

KIPP Spring hinges aluminium profile, 0.9 Nm, long version

Order No.	Version 1	Main colour	A	A1	B	B1	D	D1	S	F1 N	F2 N
K1667.3512001	spring open	black	35	21	120	30	3,5	10	3,3	3700	9900
K1667.351200	spring open	colourless	35	21	120	30	3,5	10	3,3	3700	9900

Spring hinges

aluminium profile, 1.3 Nm



Material:

Aluminium 6060 T5.
End caps PA 6.6.
Washers POM.

Version:

Black anodised.
Colourless anodised.

Sample order:

K1181.556701

Note:

The hinges are equipped with an integrated steel tension spring. This allows automatic opening and closing of doors and hatches.

Opening angle 180°.

Opening spring torque:

$M(0^\circ) : 1.3 \text{ Nm} / M(90^\circ) : 1.1 \text{ Nm} / M(180^\circ) : 0.9 \text{ Nm}$

Closing spring torque:

$M(0^\circ) : 0.5 \text{ Nm} / M(90^\circ) : 0.7 \text{ Nm} / M(180^\circ) : 1 \text{ Nm}$

These hinges are designed for more than 10,000 switching cycles.

Fastening with socket head screws as described in DIN 912/ DIN EN ISO 4762.

The loading values given for the hinges are non-binding reference values, which do not consider safety factors and exclude any liability. The values given are for information purposes only and do not constitute a legally binding assurance of properties.

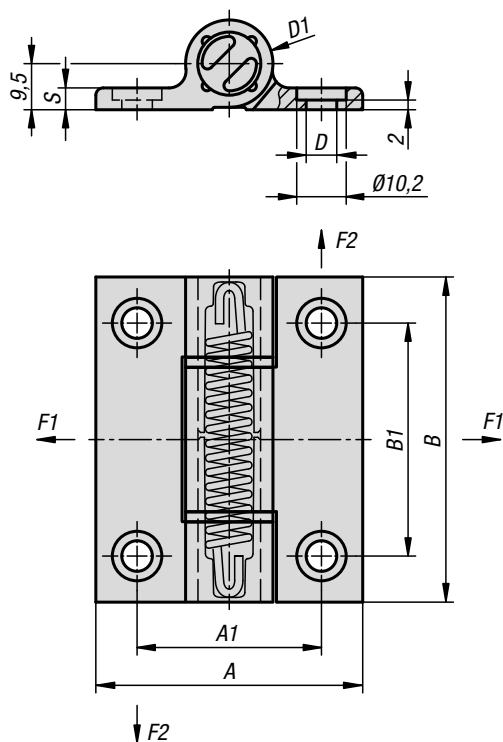
These load values were determined under laboratory conditions. Each user must determine individually whether the hinge is suitable for the respective application. Wide differences in the materials on which the hinges are installed, the type of mounting, weather conditions and wear, can influence the determined values.

Temperature range:

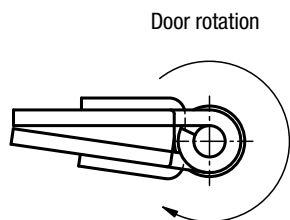
From -20°C to +80°C

Accessories:

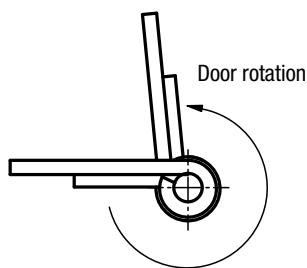
Socket head screws with hexagon socket DIN 912/ EN ISO 4762.



Hinges with closing spring



Hinges with opening spring

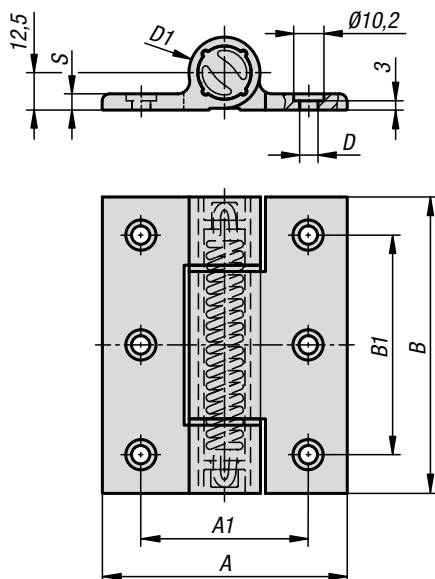


KIPP Spring hinges aluminium profile, 1.3 Nm

Order No.	Version 1	Main colour	A	A1	B	B1	D	D1	S	F1 N	F2 N
K1181.556701	spring open	black	55	38	67	48	6,3	18	4,5	5000	4200
K1181.55670	spring open	colourless	55	38	67	48	6,3	18	4,5	5000	4200
K1181.556711	spring closed	black	55	38	67	48	6,3	18	4,5	5000	4200
K1181.55671	spring closed	colourless	55	38	67	48	6,3	18	4,5	2650	2250

Spring hinges

aluminium profile, 3.8 Nm



Material:

Aluminium 6060 T5.
End caps PA 6.6.
Washers POM.

Version:

Black anodised.
Colourless anodised.

Sample order:

K1182.8210001

Note:

The hinges are equipped with an integrated steel tension spring. This enables automatic opening and closing of doors and hatches.

Opening angle 270°. Opening spring torque:
M(0°) : 3.8 Nm / M(90°) : 3.1 Nm / M(180°) : 2.4 Nm
Closing spring torque:
M(0°) : 2.2 Nm / M(90°) : 2.9 Nm / M(180°) : 3.5 Nm

Fastened using DIN 912/ DIN EN ISO 4762 cap screws.

The loading values given for the hinges are non-binding reference values without consideration of safety factors and exclude any liability. The values given are for information purposes only and do not constitute a legally binding assurance of properties. These load values were determined under laboratory conditions. Each user must determine individually whether the hinge is suitable for the respective application. Different materials onto which the hinges are installed and the type of mounting, weather conditions and wear can influence the determined values.

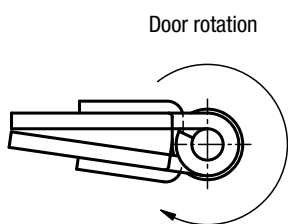
Temperature range:

From -20°C to +80°C

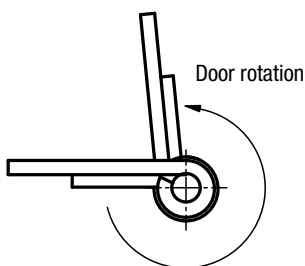
Accessories:

Socket head screws with hexagon socket DIN 912/ EN ISO 4762.

Hinges with closing spring



Hinges with opening spring

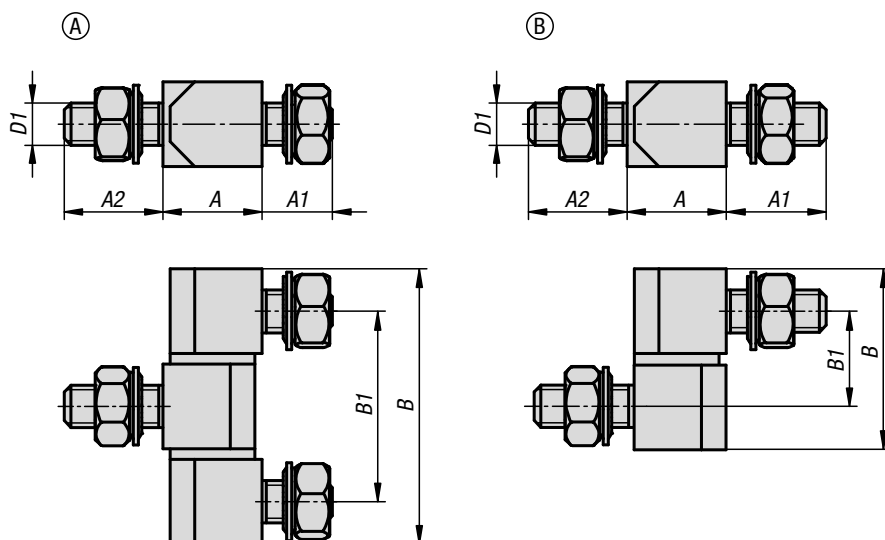
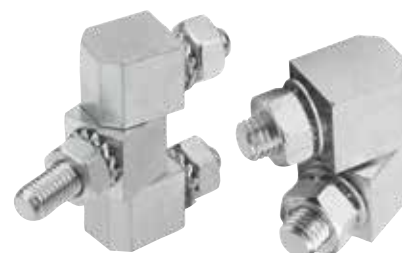


KIPP Spring hinges aluminium profile, 3.8 Nm

F2 N	Order No.	Version 1	Main colour	A	A1	B	B1	D	D1	S	F1 N
11900	K1182.8210001	spring open	black	82,5	56,5	100	74	6,2	24	5,5	9000
11900	K1182.821000	spring open	colourless	82,5	56,5	100	74	6,2	24	5,5	9000
11900	K1182.8210011	spring closed	black	82,5	56,5	100	74	6,2	24	5,5	9000
11900	K1182.821001	spring closed	colourless	82,5	56,5	100	74	6,2	24	5,5	9000

Block hinges

with fastening nuts



Material:

Steel.
Stainless steel 1.4305.
Stainless steel A4 1.4401.

Version:

Steel electro zinc-plated.
Stainless steel bright.

Sample order:

K1142.0614027

Note:

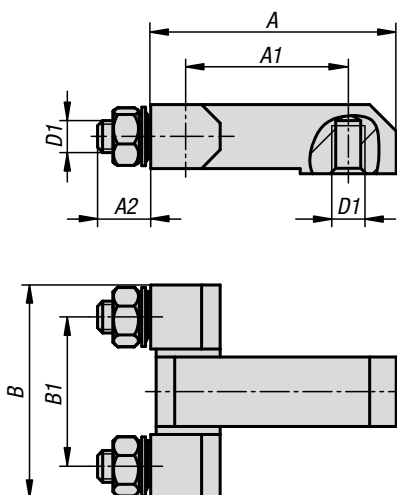
Block hinges with fastening nuts for overlapping or inset doors.
Mounted with nuts (M6 or M8) from inside. The 3-part versions are not detachable.
The hinge can be used left or right. The opening angle is 180°. Supplied unassembled.
Fastening nuts and washers are supplied.

KIPP Block hinges with fastening nuts

Order No.	Form	Main material	Steel code	A	A1	A2	B	B1	D1
K1142.0614027	A	steel	-	13	10	14	39	27	M6
K1142.0820033	A	steel	-	18	14	22	49	33	M8
K1142.10614027	A	stainless steel	1.4305	13	10	14	39	27	M6
K1142.10820033	A	stainless steel	1.4305	18	14	22	49	33	M8
K1142.20614027	A	stainless steel	1.4401	13	10	14	39	27	M6
K1142.20820033	A	stainless steel	1.4401	18	14	22	49	33	M8
K1142.10610135	B	steel	-	13	10	10	25,3	13,5	M6
K1142.10814165	B	steel	-	18	14	14	32,4	16,5	M8
K1142.110610135	B	stainless steel	1.4305	13	10	10	25,3	13,5	M6
K1142.110814165	B	stainless steel	1.4305	18	14	14	32,4	16,5	M8

Block hinges

with fastening nuts, long version



Material:

Steel.
Stainless steel 1.4305.
Stainless steel A4 1.4401.

Version:

Steel electro zinc-plated.
Stainless steel bright.

Sample order:

K1143.0630028

Note:

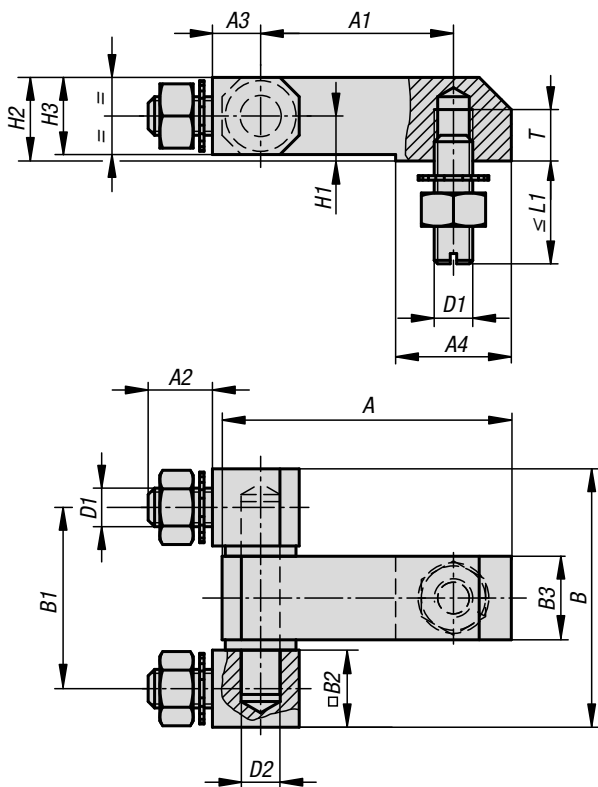
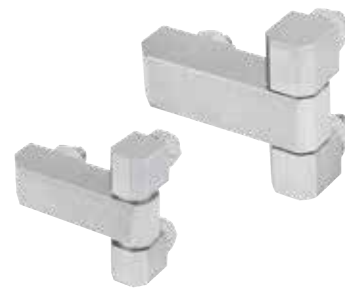
Block hinges with fastening nuts and extended middle section for inset doors.
Mounted with nuts (M6 or M8) from inside.
The hinge can be mounted left or right. The opening angle is 180°.
Supplied unassembled. Fastening nuts and washers are supplied.

KIPP Block hinges with fastening nuts, long version

Order No.	Main material	A	A1	A2	B	B1	D1
K1143.0630028	steel	45	30	10	40	28	M6
K1143.0829035	steel	50	29	14	51	35	M8
K1143.10630028	stainless steel	45	30	10	40	28	M6
K1143.10829035	stainless steel	50	29	14	51	35	M8
K1143.20630028	stainless steel A4	45	30	10	40	28	M6
K1143.20829035	stainless steel A4	50	29	14	51	35	M8

Block hinges

with fastening nuts



Material:

Hinge stainless steel 1.4305.
Fastening material stainless steel 1.4305.

Version:

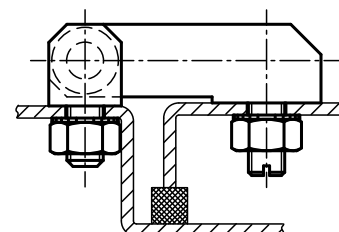
Polished.

Sample order:

K1338.10630028

Note:

Block hinge for flush constructions.
Light and heavy types.

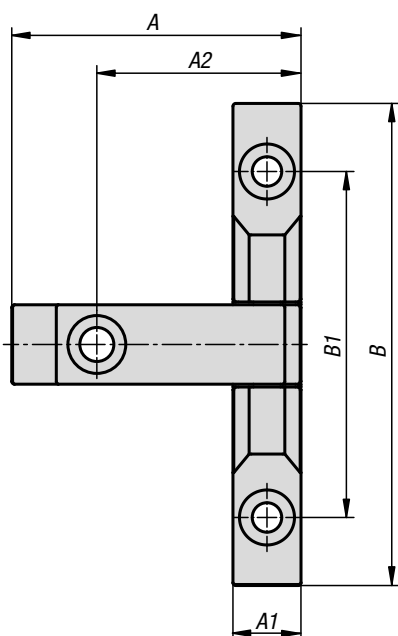
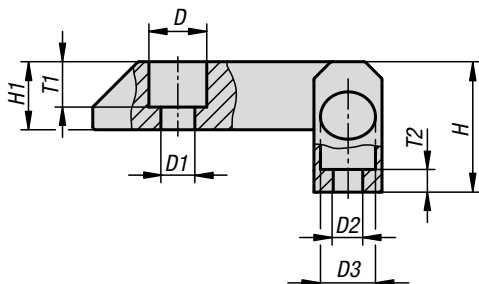


KIPP Block hinges with fastening nuts

Order No.	A	A1	A2	A3	A4	B	B1	B2	B3	D1	D2	H1	H2	H3	L1	T	Load capacity N
K1338.10630028	45	30	10	7,5	18	40,2	28,2	12	13	M6	6	7	13	12	16	8	2600
K1338.10840035	61	40	14	10	26	51	35	16	18	M8	8	10	18	16	20	10	4800

Block hinges

with counterbore, long version



Material:

Die-cast zinc.

Version:

Electro zinc-plated, high-gloss chromed or black powder-coated.

Sample order:

K1144.00630061

Note:

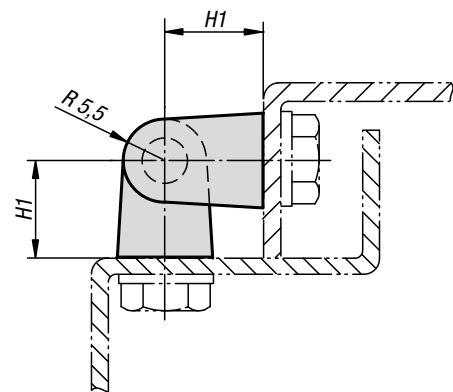
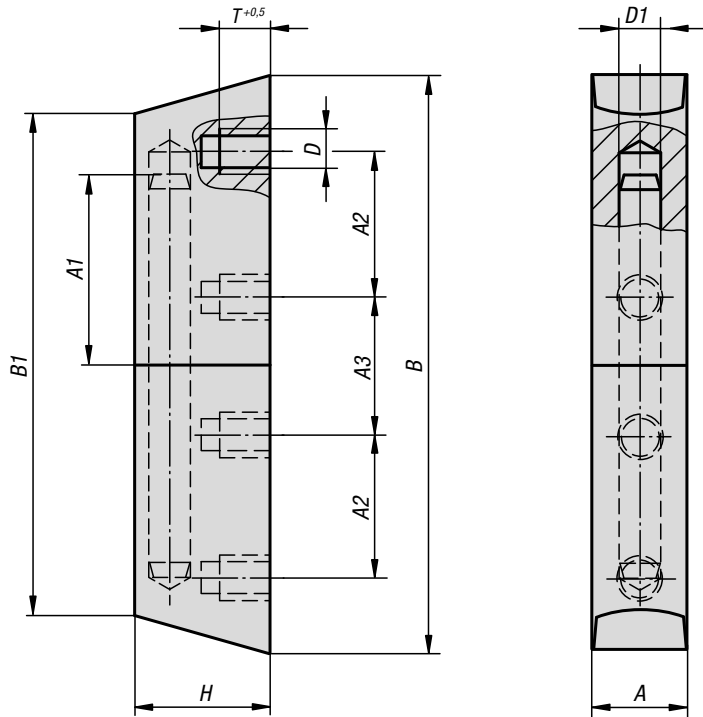
Block hinges for overlapping doors. Can be mounted left or right. Opening angle 180°. The hinges are supplied assembled.

KIPP Block hinges with counterbore, long version

Order No.	Surface finish body	A	A1	A2	B	B1	D	D1	D2	D3	H	H1	T1	T2
K1144.00630061	galvanised	51	12	36	85	61	10,2	6	5,2	9,7	23	12	8	4
K1144.10630061	high-gloss chromed	51	12	36	85	61	10,2	6	5,2	9,7	23	12	8	4
K1144.20630061	powder-coated	51	12	36	85	61	10,2	6	5,2	9,7	23	12	8	4

In-line hinge stainless steel

lift-off, screw-on



Material:

Stainless steel 1.4401.

Version:

Satin finished.

Sample order:

K1304.1761218

Note:

Lift-off inline hinge, right or left mounting.

The sloping hinge ends prevent the accumulation of dirt.

KIPP In-line hinge, stainless steel, lift-off, screw-on

Order No.	A	A1	A2	A3	B	B1	D	D1	T	H	H1
K1304.1761218	12,5	23	19	18	76	66	M6	6	6	18,5	13

Hinges weldable

stainless steel

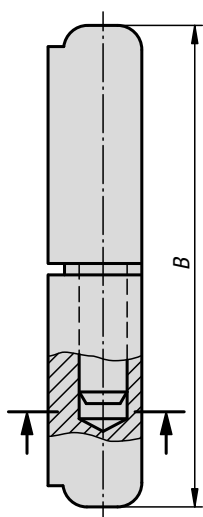
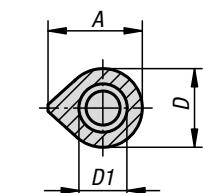


Material:
Stainless steel 1.4301.

Version:
Bright.

Sample order:
K0985.013080033

Note:
The hinges are made of weldable profile steel.
The pin is fixed into the lower part of the hinge.
The differing steel qualities of the weld and the beam onto which the hinge is welded must be at least equal to or better than:
Stainless steel 1.4301.



KIPP Hinges weldable, stainless steel

Order No.	A	B	D	D1
K0985.010060033	12	60	10	6
K0985.013080033	15,5	80	13	8
K0985.016100033	20	100	16	10
K0985.016120033	20	120	16	11
K0985.020150033	25,5	150	20	13
K0985.020180033	25,5	180	20	14

Hinges

weldable, stainless steel



Material:

Stainless steel 1.4404.

Version:

Satin finished.

Sample order:

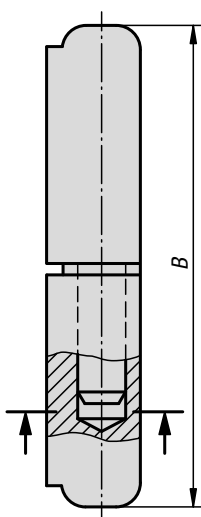
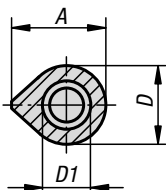
K1337.013079

Note:

The hinges are made of weldable profile steel. The pin is fixed into the lower part of the hinge. The differing steel qualities of the weld and the beam onto which the hinge is welded must be at least equal to or better than:
Stainless steel 1.4404

Advantages:

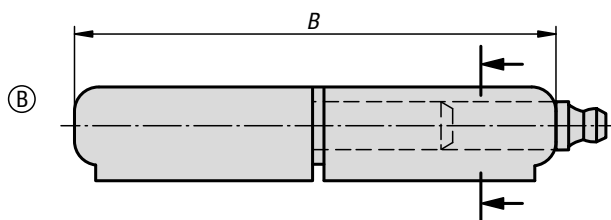
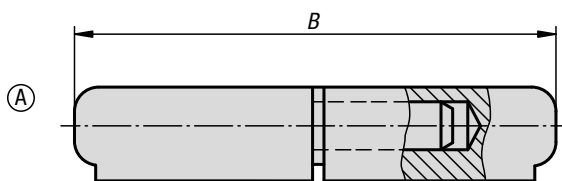
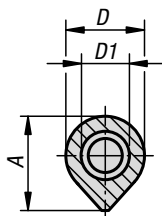
Resistant to acid and salt water



KIPP Hinges weldable, stainless steel

Order No.	A	B	D	D1
K1337.016080	20	80	16	10
K1337.016100	20	100	16	10
K1337.016120	20	120	16	11

Hinges weldable



Material:

Hinge steel.
 Spacer washer brass.
 Hinge pin steel or brass.

Version:

Grease nipple DIN 71412-D, electro zinc-plated steel.
 Steel parts, bright.

Sample order:

K0984.011070012

Note:

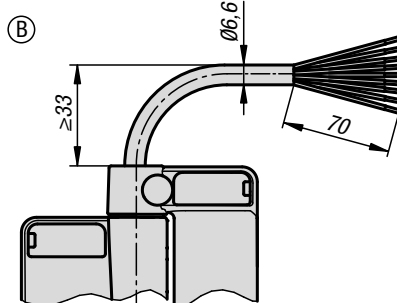
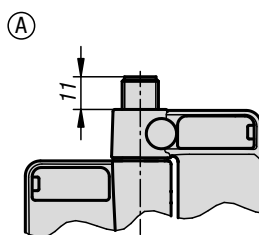
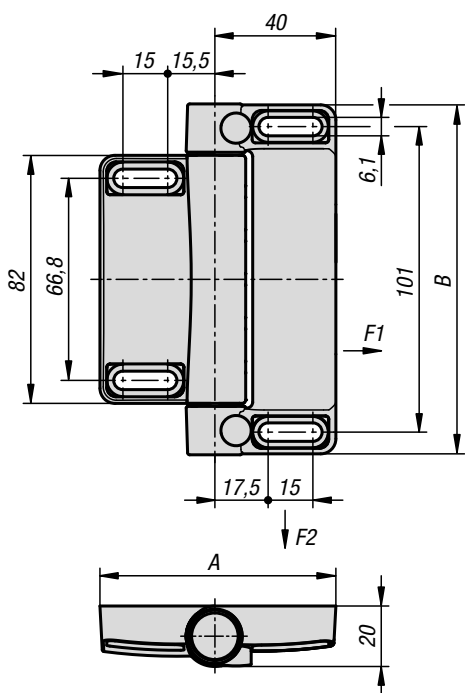
The hinges are made of weldable profile steel.
 The pin is fixed into the lower part of the hinge.
 The differing steel qualities of the weld and the beam onto which the hinge is welded must be at least equal to or better than:
 S235 JR+AR acc. to EN 10025-2:2004-10
 DIN 8563 part 3 or Fe E 235 acc. to SIA 161



KIPP Hinges weldable

Order No.	Form	Component material	A	B	D	D1
K0984.008040012	A	steel	9,7	40	8	5
K0984.008050012	A	steel	9,7	50	8	5
K0984.010060012	A	steel	12,7	60	10	6
K0984.010070012	A	steel	12	70	10	6
K0984.013080012	A	steel	15,5	80	13	8
K0984.016100012	A	steel	20	100	16	10
K0984.016120012	A	steel	20	120	16	11
K0984.018135012	A	steel	22	135	18	12
K0984.020150012	A	steel	25	150	20	13
K0984.020180012	A	steel	25	180	20	14
K0984.023200012	A	steel	28,5	200	23	16
K0984.008040022	A	brass	9,7	40	8	5
K0984.008050022	A	brass	9,7	50	8	5
K0984.010060022	A	brass	12,7	60	10	6
K0984.010070022	A	brass	12	70	10	6
K0984.013080022	A	brass	15,5	80	13	8
K0984.016100022	A	brass	20	100	16	10
K0984.016120022	A	brass	20	120	16	11
K0984.018135022	A	brass	22	135	18	12
K0984.020150022	A	brass	25	150	20	13
K0984.020180022	A	brass	25	180	20	14
K0984.023200022	A	brass	28,5	200	23	16
K0984.113080012	B	steel	16	80	13	8
K0984.116100012	B	steel	20	100	16	10
K0984.116120012	B	steel	20	120	16	10
K0984.118135012	B	steel	22,5	135	18	12
K0984.120150012	B	steel	25,5	150	20	13
K0984.120180012	B	steel	25	180	20	14
K0984.123200012	B	steel	29	200	23	16

Security hinge switches



Material:

Housing, die-cast zinc.
Housing cover, plastic, self-extinguishing.
Hinge bolts, die-cast zinc/steel C45.
Contacts, silver-nickel alloy 10.

Sample order:

K1499.781161111

Note:

The security hinge switches are used for monitoring the position of swing-hinged safety doors, protective hatches and hoods. The protective device is monitored directly in the hinge.

By the universally pre-set versions, the switching angle is freely adjustable over the entire working range. A mounting aid ensures the quick alignment to doors and posts.

The additional hinges have the same appearance and dimensions as the security hinge switches.

The loading values given for the hinges are non-binding reference values without consideration of safety factors and exclude any liability. The values given are for information purposes only and do not constitute a legally binding assurance of properties.

The load values have been determined under laboratory conditions. Each user must determine individually whether the hinge is suitable for the respective application.

Different materials onto which the hinges are installed and the type of mounting, weather conditions and wear can influence the determined values.

Application:

- Special machine construction
- Electronics industry
- Packaging machines
- Enclosures/profile systems
- Machine tools
- Measuring, processing, testing and laboratory technology

Assembly:

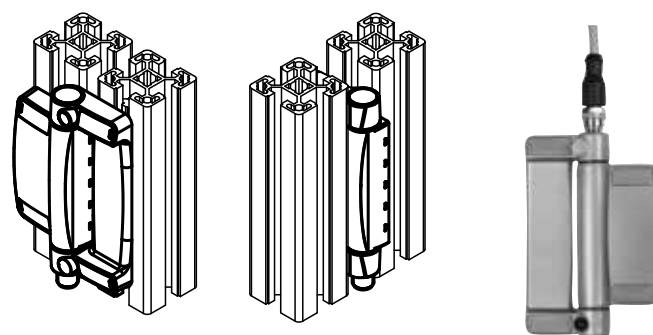
4x DIN 7984 or DIN EN ISO 4762 M6 socket head screws,

Tightening torque 4.3 Nm

General assembly instructions can be found in the accompanying operating instructions.

**Advantages:**

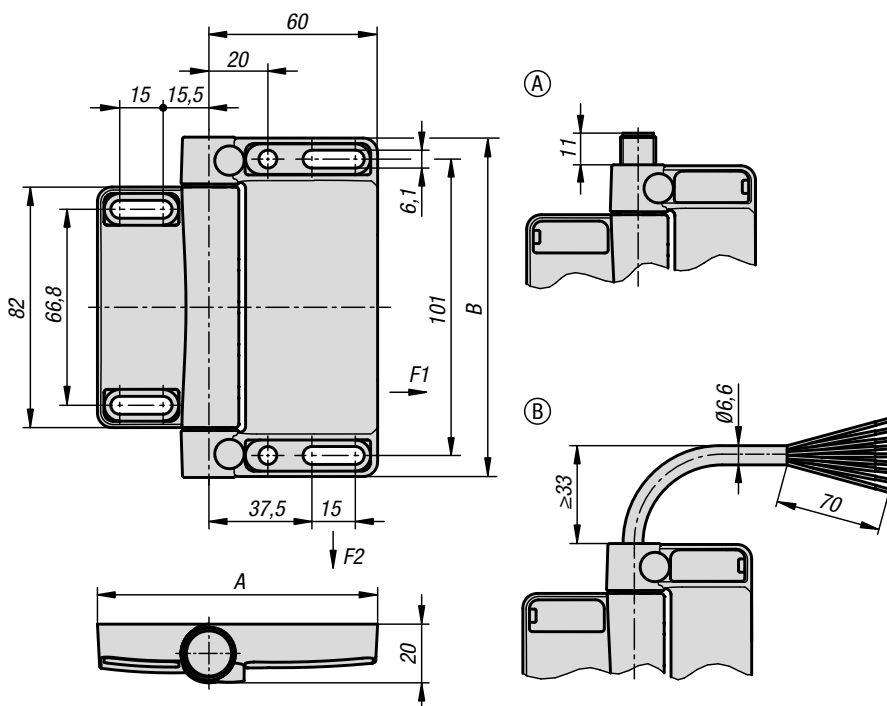
- Suitable for protection on swivel hatches
- Minimum assembly required, especially on conventional aluminium profiles
- Optimum integration into the surrounding structure
- Additional protection against tampering
- Hardly any mechanical wear

**KIPP Security hinge switches**

Order No.	Item	Form	A	B	Default setting	Contacts	Connection type	Connection position	F1 N	F2 N
K1499.781161111	Security Hinge Switch	A	78	116	external mounting	1C / 20	connector	bottom	5000	5000
K1499.781161112	Security Hinge Switch	A	78	116	external mounting	1C / 20	connector	top	5000	5000
K1499.781162111	Security Hinge Switch	A	78	116	universal	1C / 20	connector	bottom	5000	5000
K1499.781162112	Security Hinge Switch	A	78	116	universal	1C / 20	connector	top	5000	5000
K1499.781161121	Security Hinge Switch	B	78	116	external mounting	1C / 20	cable	bottom	5000	5000
K1499.781161122	Security Hinge Switch	B	78	116	external mounting	1C / 20	cable	top	5000	5000
K1499.781162121	Security Hinge Switch	B	78	116	universal	1C / 20	cable	bottom	5000	5000
K1499.781162122	Security Hinge Switch	B	78	116	universal	1C / 20	cable	top	5000	5000
K1499.78116	Additional Hinge	-	78	116	-	-	-	-	5000	5000

Security hinge switches

long version



Material:

Housing, die-cast zinc.
Housing cover, plastic, self-extinguishing.
Hinge bolts, die-cast zinc/steel C45.
Contacts, silver-nickel alloy 10.

Sample order:

K1501.981161111

Note:

The security hinge switches are used for monitoring the position of swing-hinged safety doors, protective hatches and hoods. The protective device is monitored directly in the hinge.

By the universally pre-set versions, the switching angle is freely adjustable over the entire working range. A mounting aid ensures the quick alignment to doors and posts.

The additional hinges have the same appearance and dimensions as the security hinge switches.

The loading values given for the hinges are non-binding reference values without consideration of safety factors and exclude any liability. The values given are for information purposes only and do not constitute a legally binding assurance of properties.

The load values have been determined under laboratory conditions. Each user must determine individually whether the hinge is suitable for the respective application.

Different materials onto which the hinges are installed and the type of mounting, weather conditions and wear can influence the determined values.

Application:

- Special machine construction
- Electronics industry
- Packaging machines
- Enclosures/profile systems
- Machine tools
- Measuring, processing, testing and laboratory technology

Assembly:

4x DIN 7984 or DIN EN ISO 4762 M6 socket head screws,

Tightening torque 4.3 Nm

General assembly instructions can be found in the accompanying operating instructions.

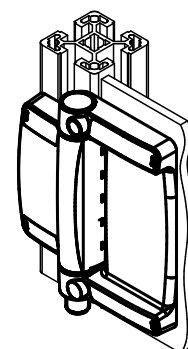
Security hinge switches

long version



Advantages:

- Suitable for protection on swivel hatches
- Minimum assembly required, especially on conventional aluminium profiles
- Optimum integration into the surrounding structure
- Additional protection against tampering
- Hardly any mechanical wear

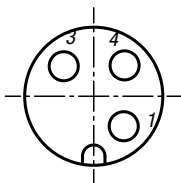
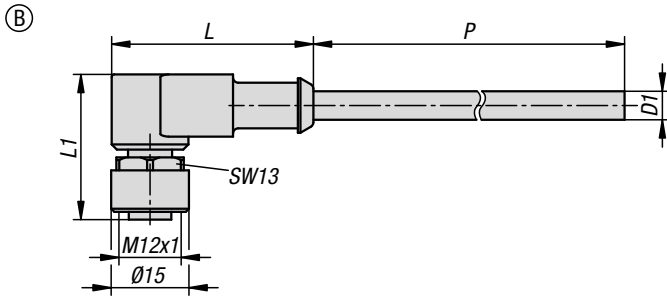
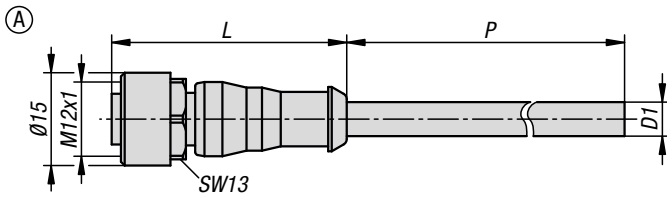


KIPP Security hinge switches long version

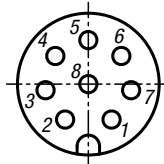
Order No.	Item	Form	A	B	Default setting	Contacts	Connection type	Connection position	F1 N	F2 N
K1501.981161111	Security Hinge Switch	A	98	116	external mounting	1C / 20	connector	bottom	5000	5000
K1501.981161112	Security Hinge Switch	A	98	116	external mounting	1C / 20	connector	top	5000	5000
K1501.981162111	Security Hinge Switch	A	98	116	universal	1C / 20	connector	bottom	5000	5000
K1501.981162112	Security Hinge Switch	A	98	116	universal	1C / 20	connector	top	5000	5000
K1501.981161121	Security Hinge Switch	B	98	116	external mounting	1C / 20	cable	bottom	5000	5000
K1501.981161122	Security Hinge Switch	B	98	116	external mounting	1C / 20	cable	top	5000	5000
K1501.981162121	Security Hinge Switch	B	98	116	universal	1C / 20	cable	bottom	5000	5000
K1501.981162122	Security Hinge Switch	B	98	116	universal	1C / 20	cable	top	5000	5000
K1501.98116	Additional Hinge	-	98	116	-	-	-	-	5000	5000

Connectors bush M12x1

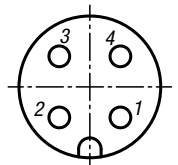
with screw lock



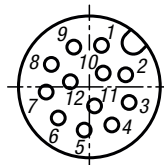
1 brown
3 blue
4 black



1 white
2 brown
3 green
4 yellow
5 grey
6 pink
7 blue
8 red



1 brown
2 white
3 blue
4 black



1 brown
2 blue
3 white
4 green
5 pink
6 yellow
7 black
8 grey
9 red
10 violet
11 grey-pink
12 red-blue

Material:

Housing: plastic.
Cable: PUR
(4 pole length 3 and 5 metres PVC.
8 pole length 10 metres PVC.
12 pole length 10 metres PVC).
Insulation braid: PP
(4 pole length 3 and 5 metres PVC.
8 pole length 10 metres PVC.
12 pole length 10 metres PVC).
Contact: copper alloy.
Contact surface: Au (gold).
Lock: nickel plated die-cast zinc.

Version:

Bush (female).
Housing colour: black.
Cable colour: black.

Sample order:

K1498.1203X5000

Note:

Connector with screw lock.
Connector moulded to cable.
Wire ID acc. to DIN 47100 colour code.
Coding A. Recommended tightening torque for the lock 0.6 Nm.
The connectors are designed for use in plant, control and electrical appliance construction.

Technical data:

No. of connection cycles: ≥ 100.

KIPP Connector bush M12x1, with screw lock

Order No.	Version 2	Form	Form definition	P	D1	L	No. of conductors x conductor cross-section	Safety rating	Operating voltage V
-	3-pin	A	straight bush	2000	4,1	38	3 x 0,34 mm ²	IP65/IP67	250 AC / 250 DC
K1498.1203X5000	3-pin	A	straight bush	5000	4,1	38	3 x 0,34 mm ²	IP65/IP67	250 AC / 250 DC
K1498.1204X3000	4-pin	A	straight bush	3000	5	38	N=4 X 0,34 mm ²	IP65/IP67	250 AC / 250 DC
K1498.1204X5000	4-pin	A	straight bush	5000	5	38	N=4 X 0,34 mm ²	IP65/IP67	250 AC / 250 DC
K1498.1208X2500	8-pin	A	straight bush	2500	5,8	43,5	8 x 0,25 mm ²	IP65/IP67	30 AC / 30 DC
K1498.1208X5000	8-pin	A	straight bush	5000	5,8	43,5	8 x 0,25 mm ²	IP65/IP67	30 AC / 30 DC
K1498.1208X10000	8-pin	A	straight bush	10000	6	43,5	8 x 0,25 mm ²	IP65/IP67	30 AC / 30 DC
K1498.1212X3000	12-pin	A	straight bush	3000	6	43,5	12 x 0,14 mm ²	IP65/IP67	30 AC / 30 DC
K1498.1212X5000	12-pin	A	straight bush	5000	6	43,5	12 x 0,14 mm ²	IP65/IP67	30 AC / 30 DC
K1498.1212X10000	12-pin	A	straight bush	10000	6	43,5	12 x 0,14 mm ²	IP65/IP67	30 AC / 30 DC