

Catch plates, Form B

Item description/product images



Description

Material:

Steel or stainless steel 1.4301.

Version:

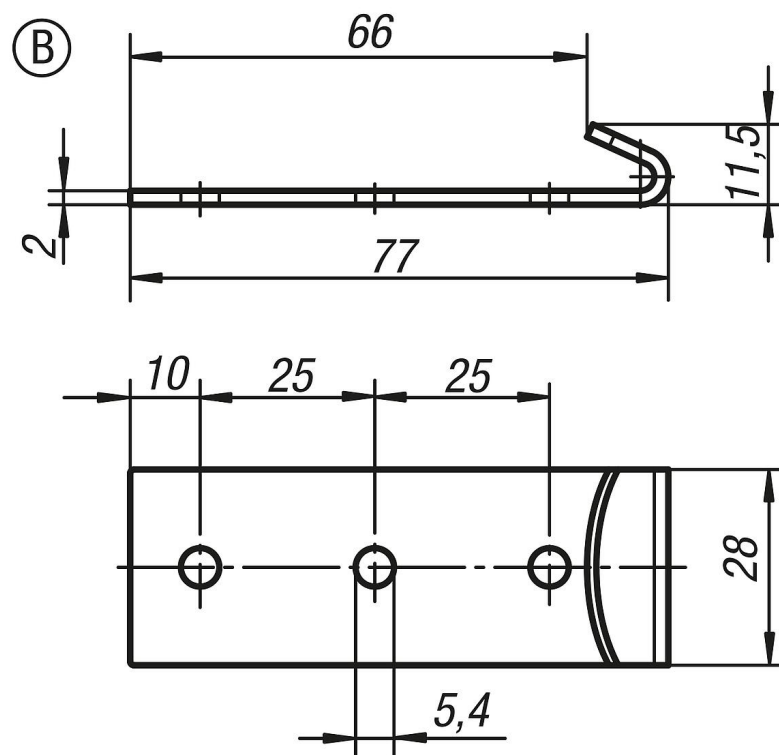
Steel trivalent blue passivated.

Stainless steel bright.

Accessory:

Latch K0045.

Drawings



Overview of items

Order No.	Main material	Form
K0045.9254771	steel	B
K0045.9254772	stainless steel	B