

# Spring plungers with hexagon socket and thrust pin, reinforced spring force

Item description/product images



## Description

### Material:

Sleeve 1.4305.  
Thrust pin 1.4034.  
Spring 1.4310.

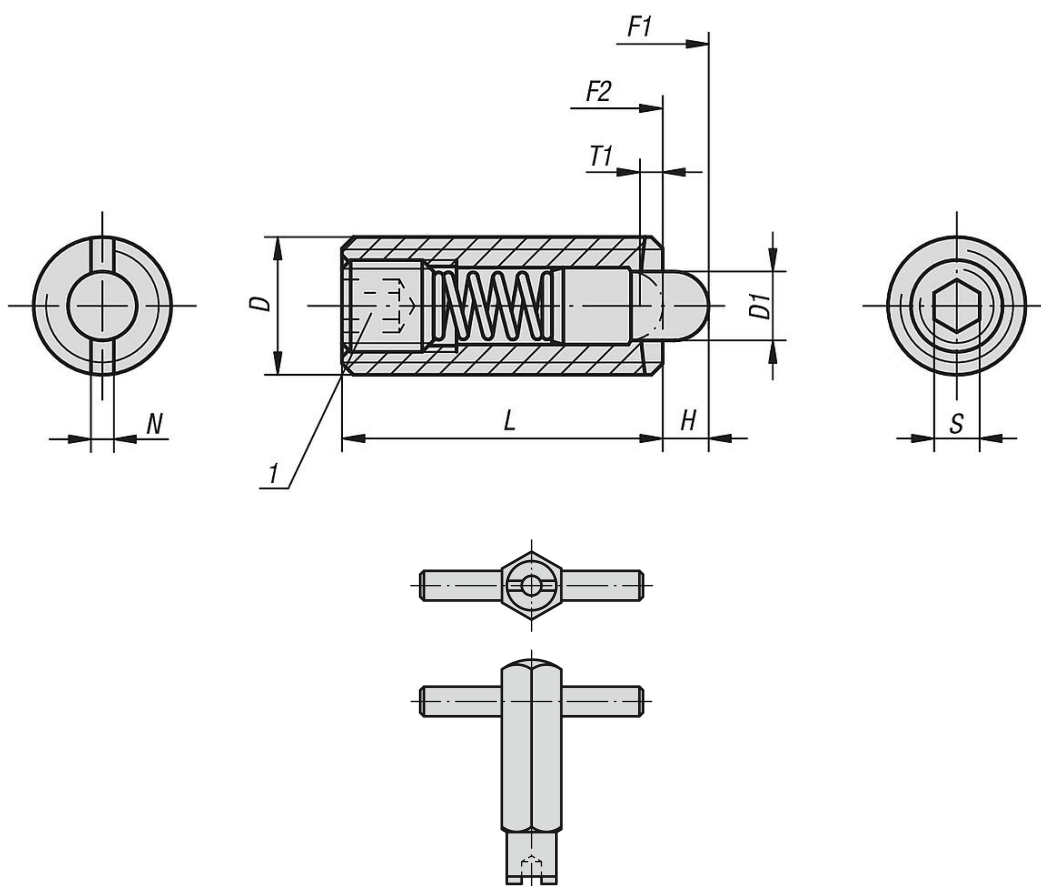
### Version:

Bright.  
Thrust pin hardened.

### Drawing reference:

1) grub screw glued in

## Drawings



## Overview of items

### Spring plungers with hexagon socket and thrust pin, reinforced spring force

Order No.	D	D1	H	L	T1	N	S	Spring force initial pressure F1 approx. N	Spring force final pressure F2 approx. N	Order No. Assembly key
K0319.205	M5	2,4	2,3	18	0,8	0,8	1,5	9	26	K0317.905

## Spring plungers with hexagon socket and thrust pin, reinforced spring force

### Overview of items

Order No.	D	D1	H	L	T1	N	S	Spring force initial pressure F1 approx. N	Spring force final pressure F2 approx. N	Order No. Assembly key
<b>K0319.206</b>	M6	2,7	2,5	20	1	1	2	11	35	K0317.906
<b>K0319.208</b>	M8	3,5	3	22	1,4	1,2	2,5	15	48	K0317.908
<b>K0319.210</b>	M10	4	3	22	1,4	1,6	3	15	58	K0317.910
<b>K0319.212</b>	M12	6	4	28	2	2	4	19	74	K0317.912