

# Swing clamps, hydraulic, compact double / single-acting with spring return

Item description/product images



## Description

### Product description:

Compact swing clamps are designed for clamping fixtures where the clamping points must be clear during workpiece removal or placement. They are also suitable for confined installation conditions. These compact swing clamps operate as single-acting or double-acting traction cylinders. There is a choice of three housing types for the compact swing clamps as well as various actuation methods. The clamping movement is initiated by a combined swivel and stroke motion. The actual clamping travel occurs with a linear movement. A wide range of variants with a left or right swivel angle of 90° are available.

### Material:

Housing and piston steel.  
Seal NBR

### Version:

Housing black oxidised.  
Piston hardened.

### Note:

If the permissible volume flow on the swing clamp could be exceeded, an intermediate throttle check valve must be installed.

The permissible operating pressure of the swing clamps depends on the clamping arm length.

The clamping arms must be restrained when being mounted so that the ball guide of the swing clamps is not damaged.

Depending on the vent connection, the sinter filter of the single-acting swing clamps must be replaced by a screw plug.

The clamping arm of the compact swing clamp is not supplied.

Follow safety instructions.

### Type of operation:

- Thread connection.
- O-ring flange connection.
- Drilled channels.

### Technical data:

Max. operating pressure: 350 bar.

### Assembly:

See mounting contour.

### Advantages:

- Compact design
- Many types.
- Collision-free accessibility to the workpiece.

### Supplied with:

- 1x slotted round nut M27x1.5 (only with compact swivel clamps K1862.14081104190100, K1862.14081104190200, K1862.14062104190100, K1862.14062104190200).
- 1x screw or nut for clamping arm mount.

## Swing clamps, hydraulic, compact double / single-acting with spring return

Item description/product images



### Accessory:

Clamping arm for compact swing clamp K1863.

### Drawing reference:

Form AGW: Flange top, Screw connection

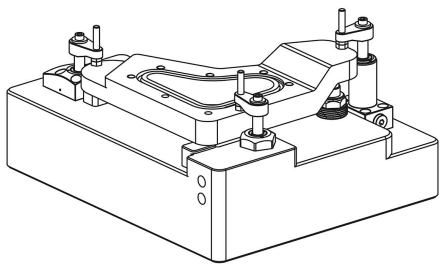
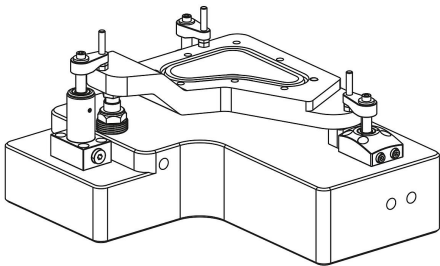
Form AOF: Flange top, O-ring flange connection

Form BGW: Flange under, Screw connection

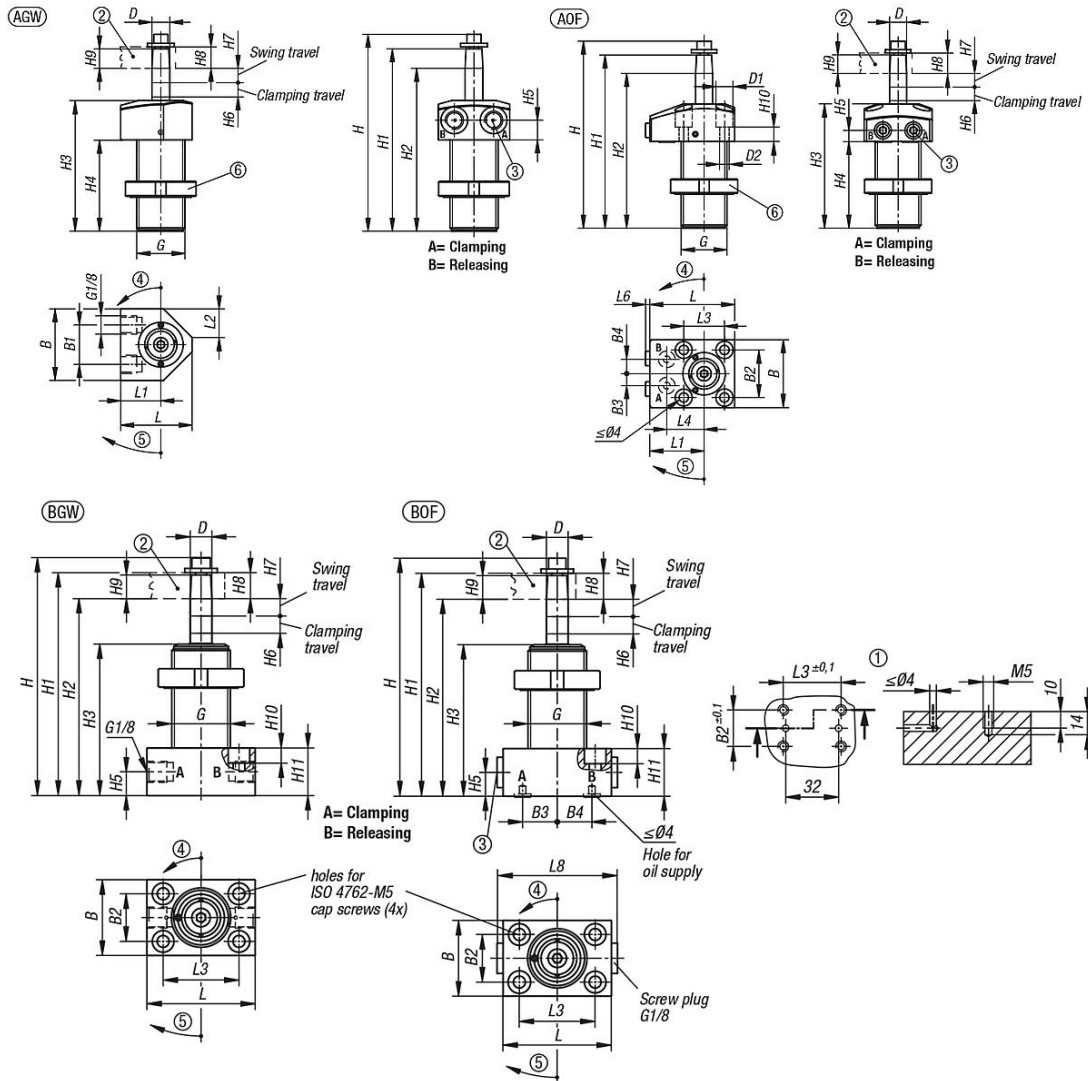
Form BOF: Flange under, O-ring flange connection

Form C: Screw-on thread

- 1) Mounting contour
- 2) See accessories
- 3) By the single-acting cylinders, the port is equipped with a built-in sinter filter.
- 4) Left swivel
- 5) Right swivel
- 6) Included in delivery

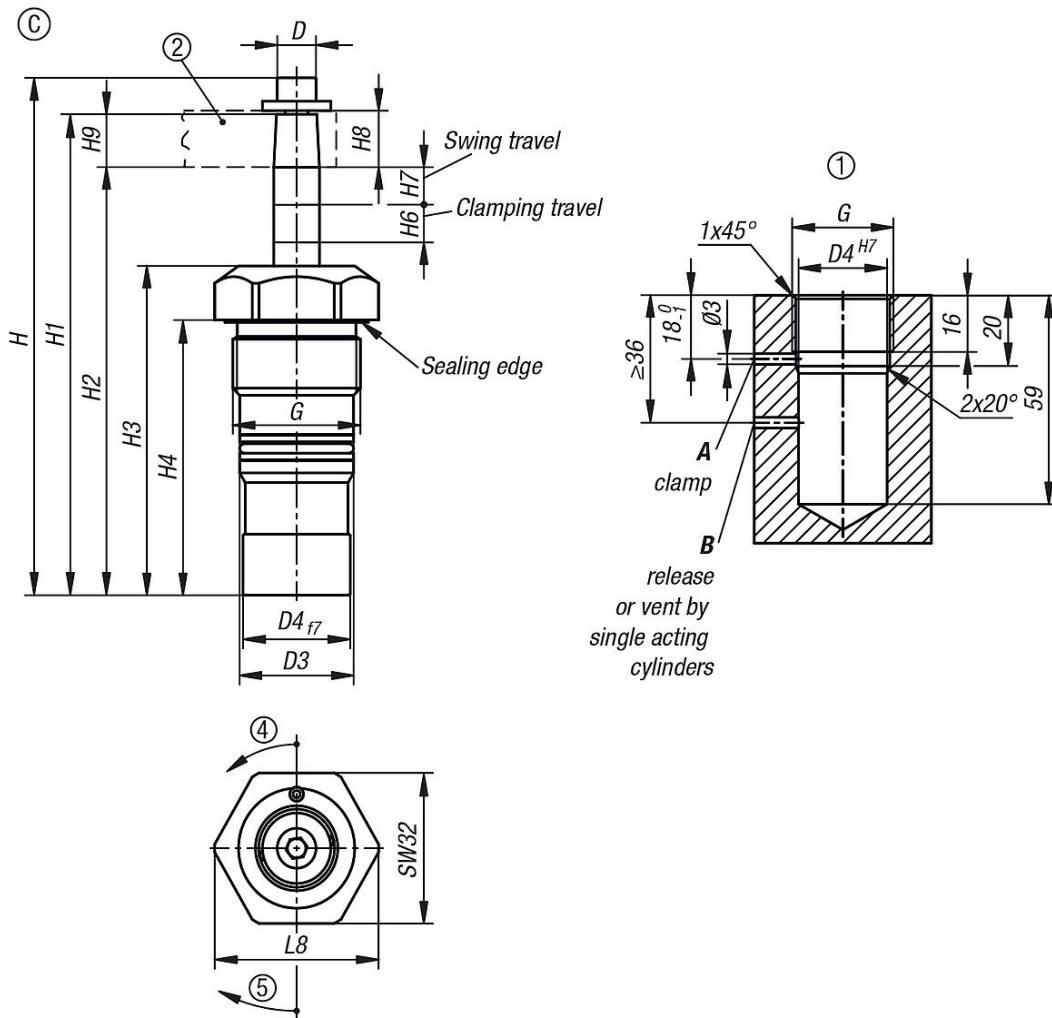


Swing clamps, hydraulic, compact double / single-acting with spring return  
 Drawings



# Swing clamps, hydraulic, compact double / single-acting with spring return

Drawings



## Overview of items

### Swing clamps, hydraulic, compact, double / single-acting with spring return

Order No.	Form	Form definition	Connection type	Swivel direction	Piston Ø	travel	B	B1	B2	B3	B4	D	D1	D2	D3	D4	G
K1862.14081104190100	A	double-acting	screw connection	ght	14	8	40	22	-	-	-	10	-	-	-	-	M27x1,5
K1862.14081204190100	A	double-acting	o-ring flange connection	ght	14	8	40	-	28	7	8,5	10	10	5,5	-	-	M27x1,5
K1862.14081104190200	A	double-acting	screw connection	left	14	8	40	22	-	-	-	10	-	-	-	-	M27x1,5
K1862.14081204190200	A	double-acting	o-ring flange connection	left	14	8	40	-	28	7	8,5	10	10	5,5	-	-	M27x1,5
K1862.14062104190100	A	single-acting	screw connection	ght	14	6	40	22	-	-	-	10	-	-	-	-	M27x1,5
K1862.14062204190100	A	single-acting	o-ring flange connection	ght	14	6	40	-	28	7	8,5	10	10	5,5	-	-	M27x1,5
K1862.14062104190200	A	single-acting	screw connection	left	14	6	40	22	-	-	-	10	-	-	-	-	M27x1,5
K1862.14062204190200	A	single-acting	o-ring flange connection	left	14	6	40	-	28	7	8,5	10	10	5,5	-	-	M27x1,5
K1862.14081105190100	B	double-acting	screw connection	ght	14	8	35	-	22	-	-	10	-	-	-	-	M27x1,5
K1862.14081205190100	B	double-acting	o-ring flange connection	ght	14	8	35	-	22	16	16	10	-	-	-	-	M27x1,5
K1862.14081105190200	B	double-acting	screw connection	left	14	8	35	-	22	-	-	10	-	-	-	-	M27x1,5
K1862.14081205190200	B	double-acting	o-ring flange connection	left	14	8	35	-	22	16	16	10	-	-	-	-	M27x1,5
K1862.14062105190100	B	single-acting	screw connection	ght	14	6	35	-	22	-	-	10	-	-	-	-	M27x1,5
K1862.14062205190100	B	single-acting	o-ring flange connection	ght	14	6	35	-	22	16	16	10	-	-	-	-	M27x1,5
K1862.14062105190200	B	single-acting	screw connection	left	14	6	35	-	22	-	-	10	-	-	-	-	M27x1,5
K1862.14062205190200	B	single-acting	o-ring flange connection	left	14	6	35	-	22	16	16	10	-	-	-	-	M27x1,5
K1862.14081306190100	C	double-acting	drilled channels	ght	14	8	-	-	-	-	-	10	-	-	24,5	25	M28x1,5
K1862.14081306190200	C	double-acting	drilled channels	left	14	8	-	-	-	-	-	10	-	-	24,5	25	M28x1,5

# Swing clamps, hydraulic, compact double / single-acting with spring return

## Overview of items

Order No.	Form	Form definition	Connection type	Swivel direction	Piston Ø	travel	B	B1	B2	B3	B4	D	D1	D2	D3	D4	G
K1862.14062306190100	C	single-acting	drilled channels	ght	14	6	-	-	-	-	-	10	-	-	24,5	25	M28x1,5
K1862.14062306190200	C	single-acting	drilled channels	left	14	6	-	-	-	-	-	10	-	-	24,5	25	M28x1,5

Order No.	Form	H	H1	H2	H3	H4	H5	H6	H7	H8	H9	H10	H11	L	L1	L2	L3	L4	L6	L8	Flow rate max. (cm <sup>3</sup> /s)	Oil requirement / stroke (cm <sup>3</sup> )
K1862.14081104190100	A	110	103	91	73	51	11	8	8	12	11,5	-	-	40	22,5	16x45°	-	-	-	-	2,5	1,2
K1862.14081204190100	A	110	103	91	73	51	6,5	8	8	12	11,5	8,5	-	50	32	-	24	22	2,5	-	2,5	1,2
K1862.14081104190200	A	110	103	91	73	51	11	8	8	12	11,5	-	-	40	22,5	16x45°	-	-	-	-	2,5	1,2
K1862.14081204190200	A	110	103	91	73	51	6,5	8	8	12	11,5	8,5	-	50	32	-	24	22	2,5	-	2,5	1,2
K1862.14062104190100	A	110	103	91	73	51	11	6	10	12	11,5	-	-	40	22,5	16x45°	-	-	-	-	2,5	1,2
K1862.14062204190100	A	110	103	91	73	51	6,5	6	10	12	11,5	8,5	-	50	32	-	24	22	2,5	-	2,5	1,2
K1862.14062104190200	A	110	103	91	73	51	11	6	10	12	11,5	-	-	40	22,5	16x45°	-	-	-	-	2,5	1,2
K1862.14062204190200	A	110	103	91	73	51	6,5	6	10	12	11,5	8,5	-	50	32	-	24	22	2,5	-	2,5	1,2
K1862.14081105190100	B	110	103	91	70	-	11	8	8	12	11,5	7	22	50	-	-	35	-	-	-	2,5	1,2
K1862.14081205190100	B	110	103	91	70	-	11	8	8	12	11,5	7	22	50	-	-	35	-	-	58	2,5	1,2
K1862.14081105190200	B	110	103	91	70	-	11	8	8	12	11,5	7	22	50	-	-	35	-	-	-	2,5	1,2
K1862.14081205190200	B	110	103	91	70	-	11	8	8	12	11,5	7	22	50	-	-	35	-	-	58	2,5	1,2
K1862.14062105190100	B	110	103	91	70	-	11	6	10	12	11,5	7	22	50	-	-	35	-	-	-	2,5	1,2
K1862.14062205190100	B	110	103	91	70	-	11	6	10	12	11,5	7	22	50	-	-	35	-	-	-	2,5	1,2
K1862.14062105190200	B	110	103	91	70	-	11	6	10	12	11,5	7	22	50	-	-	35	-	-	-	2,5	1,2
K1862.14062205190200	B	110	103	91	70	-	11	6	10	12	11,5	7	22	50	-	-	35	-	-	-	2,5	1,2
K1862.14081306190100	C	110	103	91	70	58	-	8	8	12	11,5	-	-	-	-	-	-	-	-	36	2,5	1,2
K1862.14081306190200	C	110	103	91	70	58	-	8	8	12	11,5	-	-	-	-	-	-	-	-	36	2,5	1,2
K1862.14062306190100	C	110	103	91	70	58	-	6	10	12	11,5	-	-	-	-	-	-	-	-	36	2,5	1,2
K1862.14062306190200	C	110	103	91	70	58	-	6	10	12	11,5	-	-	-	-	-	-	-	-	36	2,5	1,2