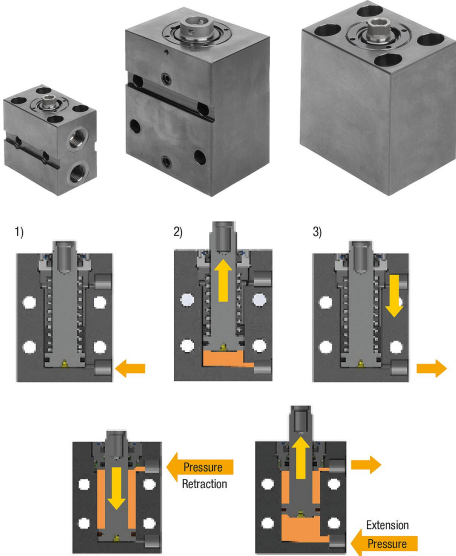


Block cylinder, hydraulic with metal wiper double / single acting with spring return

Item description/product images



Description

Product description:

Block cylinders with female piston rod thread are ideally suited for clamping situations where short travel with high forces is required. Block cylinders can be used as thrust or traction cylinders. Various thrust pieces can be screwed into the internal threads of the piston rods. The block cylinders ensure a high operating pressure and are easy to fasten using cap screws due to their compact, cubic housing design. A double hydraulic seal is installed in the block cylinders as standard. This creates technical advantages for the rod-side seal for low-leakage continuous operation. Metal wipers are also installed in the block cylinders as standard to prevent the ingress of swarf.

Material:

Housing and piston steel.
Seal NBR

Version:

Housing black oxidised.
Piston hardened.

Note:

Transverse forces on the block cylinders should be avoided.

If the block cylinder is mounted transversely to the cylinder axis, additional support for the block cylinder is recommended. If the block cylinder is used as a thrust cylinder, the support should be on the underside; if it is used as a traction cylinder, it should be on the rod side.

Permissible dynamic loads during the piston advance stroke must be observed. A vent port is required for the single-acting block cylinders.

Penetration of cutting and cooling fluids into the cylinder must be prevented.

Thrust pieces are not supplied.

Follow safety instructions.

Type of operation:

- Thread connection.
- O-ring flange connection.

Technical data:

Max. operating pressure: 500 bar.

Assembly:

See mounting contour.

Advantages:

- Integrated metal wiper.
- Versatile mounting possibilities.
- Wide travel range.
- Large force range.
- Low mounting dimensions.
- Double hydraulic seals installed.

Block cylinder, hydraulic with metal wiper double / single acting with spring return

Item description/product images

On request:

Larger piston diameters, longer strokes and with position control.

Supplied with:

2x O-rings (for flange connection operating mode) supplied.

Accessory:

- Rest pads K0307.
- Self-aligning pads K0282, K0302, K1164, K0287, K0288.
- Gripper screws, hexagonal K0386.

Drawing reference:

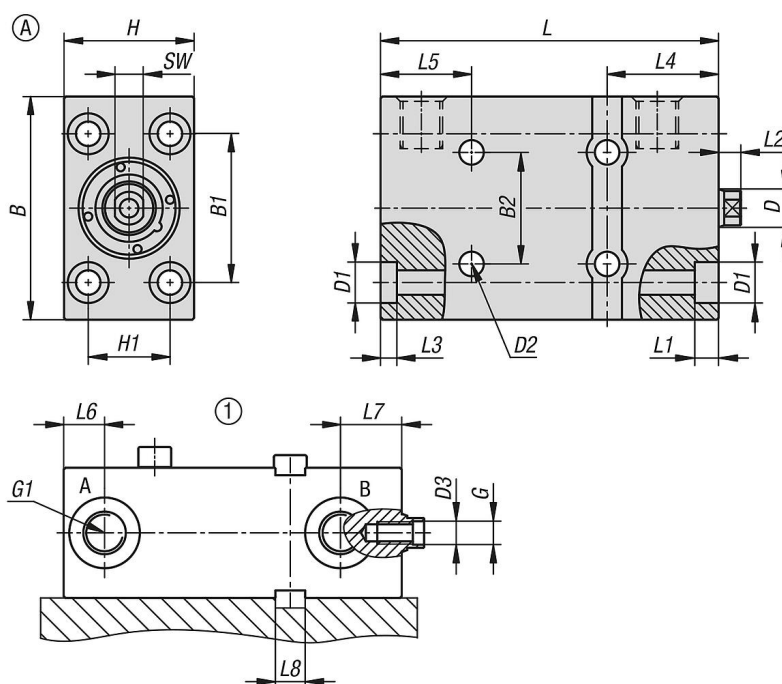
Form A: Longitudinal and transverse holes, screwed connection

Form B: Underside, centre hole, O-ring flange connection

Form C: Wide side, O-ring- flange connection

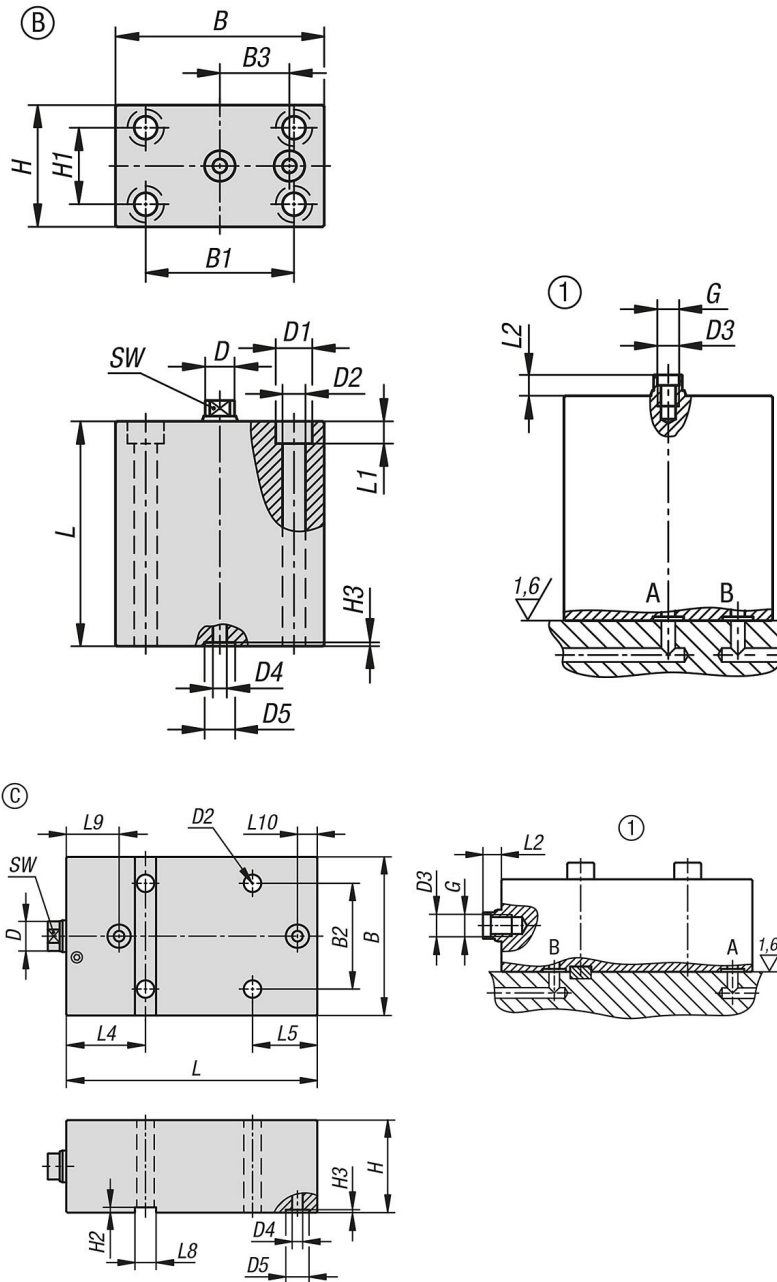
1) Mounting contour

Drawings



Block cylinder, hydraulic with metal wiper double / single acting with spring return

Drawings



Overview of items

Block cylinder, hydraulic with metal wiper, double / single acting with spring return

| Order No. | Form | Form definition | Piston Ø | travel | Connection type | B | B1 | B2 | B3 | D | D1 | D2 | D3 | D4 | D5 | G | G1 | H | H1 | H2 | H3 |
|-----------------|------|-----------------|----------|--------|------------------|----|----|----|----|----|----|------|--------|----|----|--------|------|----|----|----|----|
| K1859.160821011 | A | single-acting | 16 | 8 | screw connection | 60 | 40 | 30 | - | 10 | 11 | 6,5 | 6,3x3 | - | - | M6x15 | G1/4 | 35 | 22 | 2 | - |
| K1859.162021011 | A | single-acting | 16 | 20 | screw connection | 60 | 40 | 30 | - | 10 | 11 | 6,5 | 6,3x3 | - | - | M6x15 | G1/4 | 35 | 22 | 2 | - |
| K1859.200821011 | A | single-acting | 20 | 8 | screw connection | 60 | 40 | 40 | - | 12 | 11 | 6,5 | 8,5x3 | - | - | M8x16 | G1/4 | 35 | 22 | 2 | - |
| K1859.202021011 | A | single-acting | 20 | 20 | screw connection | 60 | 40 | 40 | - | 12 | 11 | 6,5 | 8,5x3 | - | - | M8x16 | G1/4 | 35 | 22 | 2 | - |
| K1859.250821011 | A | single-acting | 25 | 8 | screw connection | 65 | 50 | 50 | - | 16 | 14 | 8,5 | 10,5x4 | - | - | M10x17 | G1/4 | 45 | 30 | 2 | - |
| K1859.252021011 | A | single-acting | 25 | 20 | screw connection | 65 | 50 | 50 | - | 16 | 14 | 8,5 | 10,5x4 | - | - | M10x17 | G1/4 | 45 | 30 | 2 | - |
| K1859.321021011 | A | single-acting | 32 | 10 | screw connection | 75 | 55 | 55 | - | 20 | 18 | 10,5 | 12,5x4 | - | - | M12x18 | G1/4 | 55 | 35 | 3 | - |
| K1859.322021011 | A | single-acting | 32 | 20 | screw connection | 75 | 55 | 55 | - | 20 | 18 | 10,5 | 12,5x4 | - | - | M12x18 | G1/4 | 55 | 35 | 3 | - |
| K1859.401021011 | A | single-acting | 40 | 10 | screw connection | 85 | 63 | 63 | - | 25 | 18 | 10,5 | 16,5x7 | - | - | M16x27 | G1/4 | 63 | 40 | 3 | - |

Block cylinder, hydraulic with metal wiper double / single acting with spring return

Overview of items

| Order No. | Form | Form definition | Piston Ø | travel | Connection type | B | B1 | B2 | B3 | D | D1 | D2 | D3 | D4 | D5 | G | G1 | H | H1 | H2 | H3 |
|-----------------|------|-----------------|----------|--------|--------------------------|----|----|----|------|----|----|------|--------|----|-----|--------|------|----|----|----|-----|
| K1859.402021011 | A | single-acting | 40 | 20 | screw connection | 85 | 63 | 63 | - | 25 | 18 | 10,5 | 16,5x7 | - | - | M16x27 | G1/4 | 63 | 40 | 3 | - |
| K1859.161611011 | A | double-acting | 16 | 16 | screw connection | 60 | 40 | 30 | - | 10 | 11 | 6,5 | 6,3x3 | - | - | M6x15 | G1/4 | 35 | 22 | 2 | - |
| K1859.163211011 | A | double-acting | 16 | 32 | screw connection | 60 | 40 | 30 | - | 10 | 11 | 6,5 | 6,3x3 | - | - | M6x15 | G1/4 | 35 | 22 | 2 | - |
| K1859.165011011 | A | double-acting | 16 | 50 | screw connection | 60 | 40 | 30 | - | 10 | 11 | 6,5 | 6,3x3 | - | - | M6x15 | G1/4 | 35 | 22 | 2 | - |
| K1859.201611011 | A | double-acting | 20 | 16 | screw connection | 60 | 40 | 40 | - | 12 | 11 | 6,5 | 8,5x3 | - | - | M8x16 | G1/4 | 35 | 22 | 2 | - |
| K1859.203211011 | A | double-acting | 20 | 32 | screw connection | 60 | 40 | 40 | - | 12 | 11 | 6,5 | 8,5x3 | - | - | M8x16 | G1/4 | 35 | 22 | 2 | - |
| K1859.205011011 | A | double-acting | 20 | 50 | screw connection | 60 | 40 | 40 | - | 12 | 11 | 6,5 | 8,5x3 | - | - | M8x16 | G1/4 | 35 | 22 | 2 | - |
| K1859.252011011 | A | double-acting | 25 | 20 | screw connection | 65 | 50 | 50 | - | 16 | 14 | 8,5 | 10,5x4 | - | - | M10x17 | G1/4 | 45 | 30 | 2 | - |
| K1859.255011011 | A | double-acting | 25 | 50 | screw connection | 65 | 50 | 50 | - | 16 | 14 | 8,5 | 10,5x4 | - | - | M10x17 | G1/4 | 45 | 30 | 2 | - |
| K1859.322511011 | A | double-acting | 32 | 25 | screw connection | 75 | 55 | 55 | - | 20 | 18 | 10,5 | 12,5x4 | - | - | M12x18 | G1/4 | 55 | 35 | 3 | - |
| K1859.325011011 | A | double-acting | 32 | 50 | screw connection | 75 | 55 | 55 | - | 20 | 18 | 10,5 | 12,5x4 | - | - | M12x18 | G1/4 | 55 | 35 | 3 | - |
| K1859.402511011 | A | double-acting | 40 | 25 | screw connection | 85 | 63 | 63 | - | 25 | 18 | 10,5 | 16,5x7 | - | - | M16x27 | G1/4 | 63 | 40 | 3 | - |
| K1859.405011011 | A | double-acting | 40 | 50 | screw connection | 85 | 63 | 63 | - | 25 | 18 | 10,5 | 16,5x7 | - | - | M16x27 | G1/4 | 63 | 40 | 3 | - |
| K1859.160822021 | B | single-acting | 16 | 8 | o-ring flange connection | 60 | 40 | - | 20 | 10 | 11 | 6,5 | 6,3x3 | 4 | 8,8 | M6x15 | - | 35 | 22 | - | 1,1 |
| K1859.162022021 | B | single-acting | 16 | 20 | o-ring flange connection | 60 | 40 | - | 20 | 10 | 11 | 6,5 | 6,3x3 | 4 | 8,8 | M6x15 | - | 35 | 22 | - | 1,1 |
| K1859.200822021 | B | single-acting | 20 | 8 | o-ring flange connection | 60 | 40 | - | 22 | 12 | 11 | 6,5 | 8,5x3 | 4 | 8,8 | M8x16 | - | 35 | 22 | - | 1,1 |
| K1859.202022021 | B | single-acting | 20 | 20 | o-ring flange connection | 60 | 40 | - | 22 | 12 | 11 | 6,5 | 8,5x3 | 4 | 8,8 | M8x16 | - | 35 | 22 | - | 1,1 |
| K1859.250822021 | B | single-acting | 25 | 8 | o-ring flange connection | 65 | 50 | - | 25 | 16 | 14 | 8,5 | 10,5x4 | 4 | 9,8 | M10x17 | - | 45 | 30 | - | 1,1 |
| K1859.252022021 | B | single-acting | 25 | 20 | o-ring flange connection | 65 | 50 | - | 25 | 16 | 14 | 8,5 | 10,5x4 | 4 | 9,8 | M10x17 | - | 45 | 30 | - | 1,1 |
| K1859.321022021 | B | single-acting | 32 | 10 | o-ring flange connection | 75 | 55 | - | 27,5 | 20 | 18 | 10,5 | 12,5x4 | 5 | 9,8 | M12x18 | - | 55 | 35 | - | 1,1 |
| K1859.322022021 | B | single-acting | 32 | 20 | o-ring flange connection | 75 | 55 | - | 27,5 | 20 | 18 | 10,5 | 12,5x4 | 5 | 9,8 | M12x18 | - | 55 | 35 | - | 1,1 |
| K1859.401022021 | B | single-acting | 40 | 10 | o-ring flange connection | 85 | 63 | - | 31,5 | 25 | 18 | 10,5 | 16,5x7 | 5 | 9,8 | M16x27 | - | 63 | 40 | - | 1,1 |
| K1859.402022021 | B | single-acting | 40 | 20 | o-ring flange connection | 85 | 63 | - | 31,5 | 25 | 18 | 10,5 | 16,5x7 | 5 | 9,8 | M16x27 | - | 63 | 40 | - | 1,1 |
| K1859.161612021 | B | double-acting | 16 | 16 | o-ring flange connection | 60 | 40 | - | 20 | 10 | 11 | 6,5 | 6,3x3 | 4 | 8,8 | M6x15 | - | 35 | 22 | - | 1,1 |
| K1859.163212021 | B | double-acting | 16 | 32 | o-ring flange connection | 60 | 40 | - | 20 | 10 | 11 | 6,5 | 6,3x3 | 4 | 8,8 | M6x15 | - | 35 | 22 | - | 1,1 |
| K1859.165012021 | B | double-acting | 16 | 50 | o-ring flange connection | 60 | 40 | - | 20 | 10 | 11 | 6,5 | 6,3x3 | 4 | 8,8 | M6x15 | - | 35 | 22 | - | 1,1 |
| K1859.201612021 | B | double-acting | 20 | 16 | o-ring flange connection | 60 | 40 | - | 22 | 12 | 11 | 6,5 | 8,5x3 | 4 | 8,8 | M8x16 | - | 35 | 22 | - | 1,1 |
| K1859.203212021 | B | double-acting | 20 | 32 | o-ring flange connection | 60 | 40 | - | 22 | 12 | 11 | 6,5 | 8,5x3 | 4 | 8,8 | M8x16 | - | 35 | 22 | - | 1,1 |
| K1859.205012021 | B | double-acting | 20 | 50 | o-ring flange connection | 60 | 40 | - | 22 | 12 | 11 | 6,5 | 8,5x3 | 4 | 8,8 | M8x16 | - | 35 | 22 | - | 1,1 |
| K1859.252012021 | B | double-acting | 25 | 20 | o-ring flange connection | 65 | 50 | - | 25 | 16 | 14 | 8,5 | 10,5x4 | 4 | 9,8 | M10x17 | - | 45 | 30 | - | 1,1 |
| K1859.255012021 | B | double-acting | 25 | 50 | o-ring flange connection | 65 | 50 | - | 25 | 16 | 14 | 8,5 | 10,5x4 | 4 | 9,8 | M10x17 | - | 45 | 30 | - | 1,1 |
| K1859.322512021 | B | double-acting | 32 | 25 | o-ring flange connection | 75 | 55 | - | 27,5 | 20 | 18 | 10,5 | 12,5x4 | 5 | 9,8 | M12x18 | - | 55 | 35 | - | 1,1 |
| K1859.325012021 | B | double-acting | 32 | 50 | o-ring flange connection | 75 | 55 | - | 27,5 | 20 | 18 | 10,5 | 12,5x4 | 5 | 9,8 | M12x18 | - | 55 | 35 | - | 1,1 |
| K1859.402512021 | B | double-acting | 40 | 25 | o-ring flange connection | 85 | 63 | - | 31,5 | 25 | 18 | 10,5 | 16,5x7 | 5 | 9,8 | M16x27 | - | 63 | 40 | - | 1,1 |
| K1859.405012021 | B | double-acting | 40 | 50 | o-ring flange connection | 85 | 63 | - | 31,5 | 25 | 18 | 10,5 | 16,5x7 | 5 | 9,8 | M16x27 | - | 63 | 40 | - | 1,1 |
| K1859.160822031 | C | single-acting | 16 | 8 | o-ring flange connection | 60 | - | 30 | - | 10 | - | 6,5 | 6,3x3 | 4 | 8,8 | M6x15 | - | 35 | - | 2 | 1,1 |
| K1859.162022031 | C | single-acting | 16 | 20 | o-ring flange connection | 60 | - | 30 | - | 10 | - | 6,5 | 6,3x3 | 4 | 8,8 | M6x15 | - | 35 | - | 2 | 1,1 |
| K1859.200822031 | C | single-acting | 20 | 8 | o-ring flange connection | 60 | - | 40 | - | 12 | - | 6,5 | 8,5x3 | 4 | 8,8 | M8x16 | - | 35 | - | 2 | 1,1 |
| K1859.202022031 | C | single-acting | 20 | 20 | o-ring flange connection | 60 | - | 40 | - | 12 | - | 6,5 | 8,5x3 | 4 | 8,8 | M8x16 | - | 35 | - | 2 | 1,1 |
| K1859.250822031 | C | single-acting | 25 | 8 | o-ring flange connection | 65 | - | 50 | - | 16 | - | 8,5 | 10,5x4 | 4 | 9,8 | M10x17 | - | 45 | - | 2 | 1,1 |
| K1859.252022031 | C | single-acting | 25 | 20 | o-ring flange connection | 65 | - | 50 | - | 16 | - | 8,5 | 10,5x4 | 4 | 9,8 | M10x17 | - | 45 | - | 2 | 1,1 |
| K1859.321022031 | C | single-acting | 32 | 10 | o-ring flange connection | 75 | - | 55 | - | 20 | - | 10,5 | 12,5x4 | 5 | 9,8 | M12x18 | - | 55 | - | 3 | 1,1 |
| K1859.322022031 | C | single-acting | 32 | 20 | o-ring flange connection | 75 | - | 55 | - | 20 | - | 10,5 | 12,5x4 | 5 | 9,8 | M12x18 | - | 55 | - | 3 | 1,1 |
| K1859.401022031 | C | single-acting | 40 | 10 | o-ring flange connection | 85 | - | 63 | - | 25 | - | 10,5 | 16,5x7 | 5 | 9,8 | M16x27 | - | 63 | - | 3 | 1,1 |
| K1859.402022031 | C | single-acting | 40 | 20 | o-ring flange connection | 85 | - | 63 | - | 25 | - | 10,5 | 16,5x7 | 5 | 9,8 | M16x27 | - | 63 | - | 3 | 1,1 |
| K1859.161612031 | C | double-acting | 16 | 16 | o-ring flange connection | 60 | - | 30 | - | 10 | - | 6,5 | 6,3x3 | 4 | 8,8 | M6x15 | - | 35 | - | 2 | 1,1 |
| K1859.163212031 | C | double-acting | 16 | 32 | o-ring flange connection | 60 | - | 30 | - | 10 | - | 6,5 | 6,3x3 | 4 | 8,8 | M6x15 | - | 35 | - | 2 | 1,1 |
| K1859.165012031 | C | double-acting | 16 | 50 | o-ring flange connection | 60 | - | 30 | - | 10 | - | 6,5 | 6,3x3 | 4 | 8,8 | M6x15 | - | 35 | - | 2 | 1,1 |
| K1859.201612031 | C | double-acting | 20 | 16 | o-ring flange connection | 60 | - | 40 | - | 12 | - | 6,5 | 8,5x3 | 4 | 8,8 | M8x16 | - | 35 | - | 2 | 1,1 |
| K1859.203212031 | C | double-acting | 20 | 32 | o-ring flange connection | 60 | - | 40 | - | 12 | - | 6,5 | 8,5x3 | 4 | 8,8 | M8x16 | - | 35 | - | 2 | 1,1 |
| K1859.205012031 | C | double-acting | 20 | 50 | o-ring flange connection | 60 | - | 40 | - | 12 | - | 6,5 | 8,5x3 | 4 | 8,8 | M8x16 | - | 35 | - | 2 | 1,1 |
| K1859.252012031 | C | double-acting | 25 | 20 | o-ring flange connection | 65 | - | 50 | - | 16 | - | 8,5 | 10,5x4 | 4 | 9,8 | M10x17 | - | 45 | - | 2 | 1,1 |
| K1859.255012031 | C | double-acting | 25 | 50 | o-ring flange connection | 65 | - | 50 | - | 16 | - | 8,5 | 10,5x4 | 4 | 9,8 | M10x17 | - | 45 | - | 2 | 1,1 |
| K1859.322512031 | C | double-acting | 32 | 25 | o-ring flange connection | 75 | - | 55 | - | 20 | - | 10,5 | 12,5x4 | 5 | 9,8 | M12x18 | - | 55 | - | 3 | 1,1 |
| K1859.325012031 | C | double-acting | 32 | 50 | o-ring flange connection | 75 | - | 55 | - | 20 | - | 10,5 | 12,5x4 | 5 | 9,8 | M12x18 | - | 55 | - | 3 | 1,1 |
| K1859.402512031 | C | double-acting | 40 | 25 | o-ring flange connection | 85 | - | 63 | - | 25 | - | 10,5 | 16,5x7 | 5 | 9,8 | M16x27 | - | 63 | - | 3 | 1,1 |
| K1859.405012031 | C | double-acting | 40 | 50 | o-ring flange connection | 85 | - | 63 | - | 25 | - | 10,5 | 16,5x7 | 5 | 9,8 | M16x27 | - | 63 | - | 3 | 1,1 |

Block cylinder, hydraulic with metal wiper

Block cylinder, hydraulic with metal wiper double / single acting with spring return

Overview of items

| Order No. | Form | Form definition | Piston Ø | travel | L | L1 | L2 | L3 | L4 | L5 | L6 | L7 | L8 | L9 | L10 | SW | Effective piston area (cm ²) | Compressive force at 100 bar (kN) | Tractive force at 100 bar (kN) |
|-----------------|------|-----------------|----------|--------|-----|------|----|------|----|------|----|------|----|------|-----|----|------------------------------------------|-----------------------------------|--------------------------------|
| K1859.160821011 | A | single-acting | 16 | 8 | 56 | 6,4 | 6 | 4,4 | 30 | - | 11 | 16,5 | 8 | - | - | 8 | 2 | 2 | - |
| K1859.162021011 | A | single-acting | 16 | 20 | 91 | 6,4 | 6 | 4,4 | 30 | - | 11 | 16,5 | 8 | - | - | 8 | 2 | 2 | - |
| K1859.200821011 | A | single-acting | 20 | 8 | 61 | 6,4 | 7 | 4,4 | 30 | - | 11 | 16,5 | 8 | - | - | 10 | 3,1 | 3,1 | - |
| K1859.202021011 | A | single-acting | 20 | 20 | 95 | 6,4 | 7 | 4,4 | 30 | - | 11 | 16,5 | 8 | - | - | 10 | 3,1 | 3,1 | - |
| K1859.250821011 | A | single-acting | 25 | 8 | 64 | 8,6 | 7 | 6,4 | 33 | - | 11 | 18 | 10 | - | - | 13 | 4,9 | 4,9 | - |
| K1859.252021011 | A | single-acting | 25 | 20 | 94 | 8,6 | 7 | 6,4 | 33 | - | 11 | 18 | 10 | - | - | 13 | 4,9 | 4,9 | - |
| K1859.321021011 | A | single-acting | 32 | 10 | 75 | 10,6 | 10 | 7,6 | 38 | - | 11 | 22 | 12 | - | - | 17 | 8 | 8 | - |
| K1859.322021011 | A | single-acting | 32 | 20 | 100 | 10,6 | 10 | 7,6 | 38 | - | 11 | 22 | 12 | - | - | 17 | 8 | 8 | - |
| K1859.401021011 | A | single-acting | 40 | 10 | 79 | 10,6 | 10 | 10,6 | 40 | - | 11 | 24 | 12 | - | - | 22 | 12,5 | 12,6 | - |
| K1859.402021011 | A | single-acting | 40 | 20 | 104 | 10,6 | 10 | 10,6 | 40 | - | 11 | 24 | 12 | - | - | 22 | 12,5 | 12,6 | - |
| K1859.161611011 | A | double-acting | 16 | 16 | 56 | 6,4 | 6 | 4,4 | 30 | - | 11 | 16,5 | 8 | - | - | 8 | 2 | 2 | 1,2 |
| K1859.163211011 | A | double-acting | 16 | 32 | 73 | 6,4 | 6 | 4,4 | 30 | - | 11 | 16,5 | 8 | - | - | 8 | 2 | 2 | 1,2 |
| K1859.165011011 | A | double-acting | 16 | 50 | 91 | 6,4 | 6 | 4,4 | 30 | 24,5 | 11 | 16,5 | 8 | - | - | 8 | 2 | 2 | 1,2 |
| K1859.201611011 | A | double-acting | 20 | 16 | 61 | 6,4 | 7 | 4,4 | 30 | - | 11 | 16,5 | 8 | - | - | 10 | 3,1 | 3,1 | 2 |
| K1859.203211011 | A | double-acting | 20 | 32 | 77 | 6,4 | 7 | 4,4 | 30 | - | 11 | 16,5 | 8 | - | - | 10 | 3,1 | 3,1 | 2 |
| K1859.205011011 | A | double-acting | 20 | 50 | 95 | 6,4 | 7 | 4,4 | 30 | 24,5 | 11 | 16,5 | 8 | - | - | 10 | 3,1 | 3,1 | 2 |
| K1859.252011011 | A | double-acting | 25 | 20 | 64 | 8,6 | 7 | 6,4 | 33 | - | 11 | 18 | 10 | - | - | 13 | 4,9 | 4,9 | 2,9 |
| K1859.255011011 | A | double-acting | 25 | 50 | 94 | 8,6 | 7 | 6,4 | 33 | 26 | 11 | 18 | 10 | - | - | 13 | 4,9 | 4,9 | 2,9 |
| K1859.322511011 | A | double-acting | 32 | 25 | 75 | 10,6 | 10 | 7,6 | 38 | - | 11 | 22 | 12 | - | - | 17 | 8 | 8 | 4,9 |
| K1859.325011011 | A | double-acting | 32 | 50 | 100 | 10,6 | 10 | 7,6 | 38 | 27 | 11 | 22 | 12 | - | - | 17 | 8 | 8 | 4,9 |
| K1859.402511011 | A | double-acting | 40 | 25 | 79 | 10,6 | 10 | 10,6 | 40 | - | 11 | 24 | 12 | - | - | 22 | 12,5 | 12,6 | 7,7 |
| K1859.405011011 | A | double-acting | 40 | 50 | 104 | 10,6 | 10 | 10,6 | 40 | 27 | 11 | 24 | 12 | - | - | 22 | 12,5 | 12,6 | 7,7 |
| K1859.160822021 | B | single-acting | 16 | 8 | 56 | 6,4 | 6 | - | - | - | - | - | - | - | - | 8 | 2 | 2 | - |
| K1859.162022021 | B | single-acting | 16 | 20 | 91 | 6,4 | 6 | - | - | - | - | - | - | - | - | 8 | 2 | 2 | - |
| K1859.200822021 | B | single-acting | 20 | 8 | 61 | 6,4 | 7 | - | - | - | - | - | - | - | - | 10 | 3,1 | 3,1 | - |
| K1859.202022021 | B | single-acting | 20 | 20 | 95 | 6,4 | 7 | - | - | - | - | - | - | - | - | 10 | 3,1 | 3,1 | - |
| K1859.250822021 | B | single-acting | 25 | 8 | 64 | 8,6 | 7 | - | - | - | - | - | - | - | - | 13 | 4,9 | 4,9 | - |
| K1859.252022021 | B | single-acting | 25 | 20 | 94 | 8,6 | 7 | - | - | - | - | - | - | - | - | 13 | 4,9 | 4,9 | - |
| K1859.321022021 | B | single-acting | 32 | 10 | 75 | 10,6 | 10 | - | - | - | - | - | - | - | - | 17 | 8 | 8 | - |
| K1859.322022021 | B | single-acting | 32 | 20 | 100 | 10,6 | 10 | - | - | - | - | - | - | - | - | 17 | 8 | 8 | - |
| K1859.401022021 | B | single-acting | 40 | 10 | 79 | 10,6 | 10 | - | - | - | - | - | - | - | - | 22 | 12,5 | 12,6 | - |
| K1859.402022021 | B | single-acting | 40 | 20 | 104 | 10,6 | 10 | - | - | - | - | - | - | - | - | 22 | 12,5 | 12,6 | - |
| K1859.161612021 | B | double-acting | 16 | 16 | 56 | 6,4 | 6 | - | - | - | - | - | - | - | - | 8 | 2 | 2 | 1,2 |
| K1859.163212021 | B | double-acting | 16 | 32 | 73 | 6,4 | 6 | - | - | - | - | - | - | - | - | 8 | 2 | 2 | 1,2 |
| K1859.165012021 | B | double-acting | 16 | 50 | 91 | 6,4 | 6 | - | - | - | - | - | - | - | - | 8 | 2 | 2 | 1,2 |
| K1859.201612021 | B | double-acting | 20 | 16 | 61 | 6,4 | 7 | - | - | - | - | - | - | - | - | 10 | 3,1 | 3,1 | 2 |
| K1859.203212021 | B | double-acting | 20 | 32 | 77 | 6,4 | 7 | - | - | - | - | - | - | - | - | 10 | 3,1 | 3,1 | 2 |
| K1859.205012021 | B | double-acting | 20 | 50 | 95 | 6,4 | 7 | - | - | - | - | - | - | - | - | 10 | 3,1 | 3,1 | 2 |
| K1859.252012021 | B | double-acting | 25 | 20 | 64 | 8,6 | 7 | - | - | - | - | - | - | - | - | 13 | 4,9 | 4,9 | 2,9 |
| K1859.255012021 | B | double-acting | 25 | 50 | 94 | 8,6 | 7 | - | - | - | - | - | - | - | - | 13 | 4,9 | 4,9 | 2,9 |
| K1859.322512021 | B | double-acting | 32 | 25 | 75 | 10,6 | 10 | - | - | - | - | - | - | - | - | 17 | 8 | 8 | 4,9 |
| K1859.325012021 | B | double-acting | 32 | 50 | 100 | 10,6 | 10 | - | - | - | - | - | - | - | - | 17 | 8 | 8 | 4,9 |
| K1859.402512021 | B | double-acting | 40 | 25 | 79 | 10,6 | 10 | - | - | - | - | - | - | - | - | 22 | 12,5 | 12,6 | 7,7 |
| K1859.405012021 | B | double-acting | 40 | 50 | 104 | 10,6 | 10 | - | - | - | - | - | - | - | - | 22 | 12,5 | 12,6 | 7,7 |
| K1859.160822031 | C | single-acting | 16 | 8 | 56 | - | - | - | 30 | - | - | - | 8 | 20,5 | 7 | 8 | 2 | 2 | - |
| K1859.162022031 | C | single-acting | 16 | 20 | 91 | - | - | - | 30 | - | - | - | 8 | 20,5 | 7 | 8 | 2 | 2 | - |
| K1859.200822031 | C | single-acting | 20 | 8 | 61 | - | - | - | 30 | - | - | - | 8 | 20 | 7,5 | 10 | 3,1 | 3,1 | - |
| K1859.202022031 | C | single-acting | 20 | 20 | 95 | - | - | - | 30 | - | - | - | 8 | 20 | 7,5 | 10 | 3,1 | 3,1 | - |
| K1859.250822031 | C | single-acting | 25 | 8 | 64 | - | - | - | 33 | - | - | - | 10 | 21 | 7,5 | 13 | 4,9 | 4,9 | - |
| K1859.252022031 | C | single-acting | 25 | 20 | 94 | - | - | - | 33 | - | - | - | 10 | 21 | 7,5 | 13 | 4,9 | 4,9 | - |
| K1859.321022031 | C | single-acting | 32 | 10 | 75 | - | - | - | 38 | - | - | - | 12 | 25 | 10 | 17 | 8 | 8 | - |
| K1859.322022031 | C | single-acting | 32 | 20 | 100 | - | - | - | 38 | - | - | - | 12 | 25 | 10 | 17 | 8 | 8 | - |
| K1859.401022031 | C | single-acting | 40 | 10 | 79 | - | - | - | 40 | - | - | - | 12 | 27 | 10 | 22 | 12,5 | 12,6 | - |
| K1859.402022031 | C | single-acting | 40 | 20 | 104 | - | - | - | 40 | - | - | - | 12 | 27 | 10 | 22 | 12,5 | 12,6 | - |
| K1859.161612031 | C | double-acting | 16 | 16 | 56 | - | - | - | 30 | - | - | - | 8 | 20,5 | 7 | 8 | 2 | 2 | 1,2 |
| K1859.163212031 | C | double-acting | 16 | 32 | 73 | - | - | - | 30 | - | - | - | 8 | 20,5 | 7 | 8 | 2 | 2 | 1,2 |
| K1859.165012031 | C | double-acting | 16 | 50 | 91 | - | - | - | 30 | 24,5 | - | - | 8 | 20,5 | 7 | 8 | 2 | 2 | 1,2 |
| K1859.201612031 | C | double-acting | 20 | 16 | 61 | - | - | - | 30 | - | - | - | 8 | 20 | 7,5 | 10 | 3,1 | 3,1 | 2 |
| K1859.203212031 | C | double-acting | 20 | 32 | 77 | - | - | - | 30 | - | - | - | 8 | 20 | 7,5 | 10 | 3,1 | 3,1 | 2 |
| K1859.205012031 | C | double-acting | 20 | 50 | 95 | - | - | - | 30 | 24,5 | - | - | 8 | 20 | 7,5 | 10 | 3,1 | 3,1 | 2 |
| K1859.252012031 | C | double-acting | 25 | 20 | 64 | - | - | - | 33 | - | - | - | 10 | 21 | 7,5 | 13 | 4,9 | 4,9 | 2,9 |

Block cylinder, hydraulic with metal wiper double / single acting with spring return

Overview of items

| Order No. | Form | Form definition | Piston Ø | travel | L | L1 | L2 | L3 | L4 | L5 | L6 | L7 | L8 | L9 | L10 | SW | Effective piston area (cm ²) | Compressive force at 100 bar (kN) | Tractive force at 100 bar (kN) |
|-----------------|------|-----------------|----------|--------|-----|----|----|----|----|----|----|----|----|----|-----|----|------------------------------------------|-----------------------------------|--------------------------------|
| K1859.255012031 | C | double-acting | 25 | 50 | 94 | - | - | - | 33 | 26 | - | - | 10 | 21 | 7,5 | 13 | 4,9 | 4,9 | 2,9 |
| K1859.322512031 | C | double-acting | 32 | 25 | 75 | - | - | - | 38 | - | - | - | 12 | 25 | 10 | 17 | 8 | 8 | 4,9 |
| K1859.325012031 | C | double-acting | 32 | 50 | 100 | - | - | - | 38 | 27 | - | - | 12 | 25 | 10 | 17 | 8 | 8 | 4,9 |
| K1859.402512031 | C | double-acting | 40 | 25 | 79 | - | - | - | 40 | - | - | - | 12 | 27 | 10 | 22 | 12,5 | 12,6 | 7,7 |
| K1859.405012031 | C | double-acting | 40 | 50 | 104 | - | - | - | 40 | 27 | - | - | 12 | 27 | 10 | 22 | 12,5 | 12,6 | 7,7 |