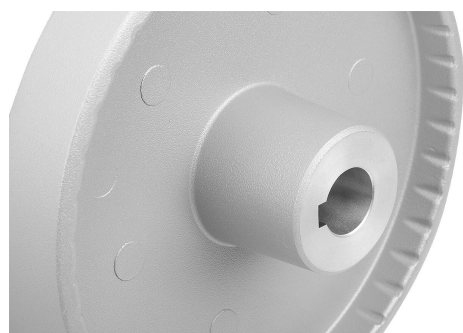
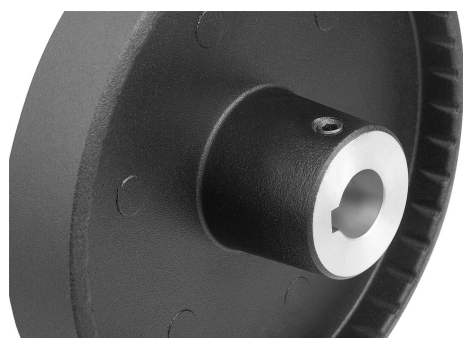
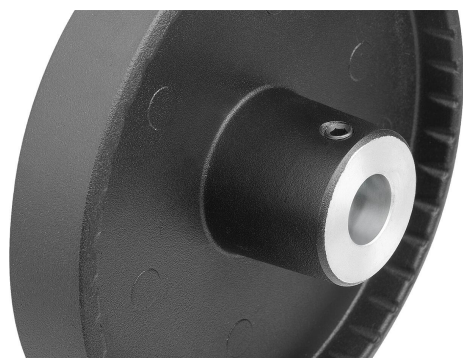


Disc handwheels, aluminium without grip

Item description/product images



Description

Material:

Handwheel aluminium.
Hub cover black thermoplastic.
ISO 4027 grub screw, steel grade 45 H, black.

Version:

Black or silver powder-coated.

With reamed hole.
With reamed hole and keyway.
With reamed hole and transverse bore.
With reamed hole, keyway and transverse bore.

Note:

Wheel rim radial and axial run-out ≤ 0.4 mm.

Assembly:

The hub cover is supplied unassembled.
The handwheels can be secured to a shaft using a transverse pin or by parallel key connection together with a DIN 6912 cap screw and a handwheel washer K0173.
By the versions with transverse bore, fixation is carried out using an ISO 4027 grub screw.

Supplied with:

Aluminium handwheel.
Hub cover.
ISO 4027 grub screw (type with transverse bore).

Accessory:

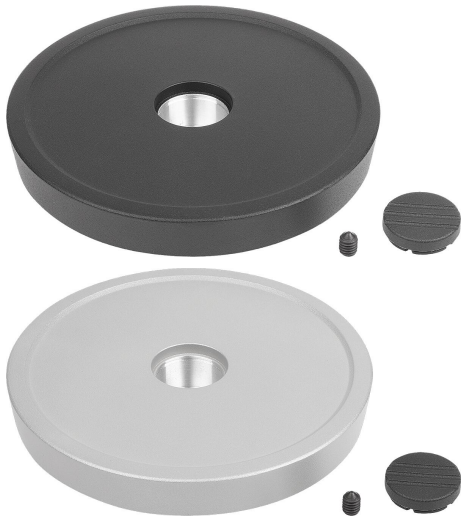
K0173 Handwheel washers.
K1160 Socket head screws with low head DIN 6912.

Drawing reference:

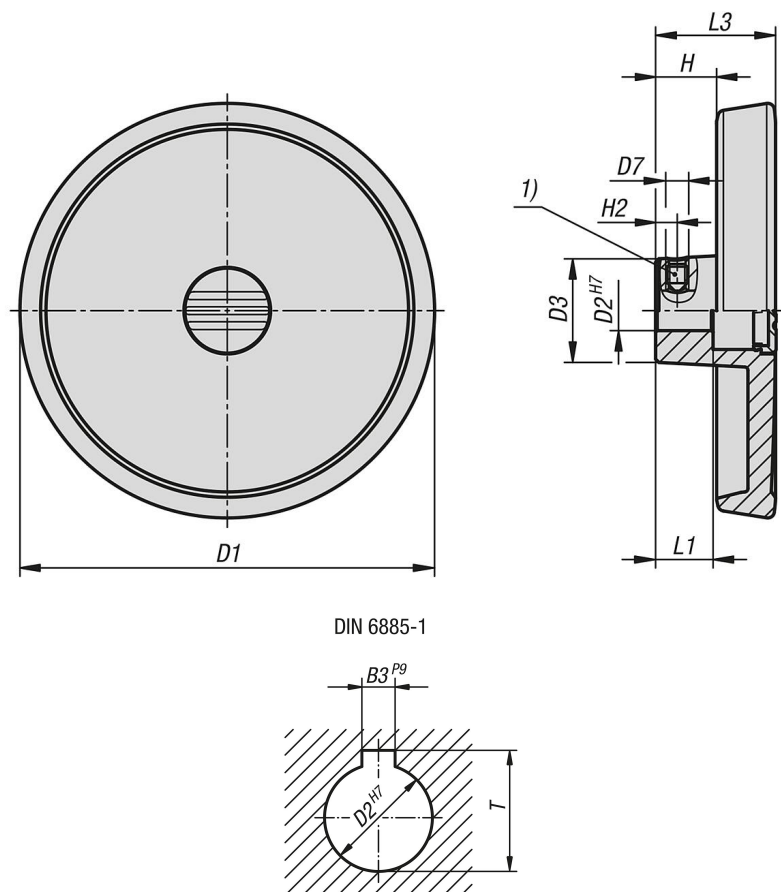
1) Position of the transverse bore to the keyway is offset by 90° .

Disc handwheels, aluminium without grip

Item description/product images



Drawings



Overview of items

Disc handwheels, aluminium without grip

Disc handwheels, aluminium without grip

Overview of items

Order No.	Main colour	Form	Form definition	D1	D2	D3	L1	L3	H	H2	D7	B3	T
K1520.0801016	black	A	reamed hole with tranverse bore	80	10	26	16	29	16,6	5,5	M6	-	-
K1520.0801216	black	A	reamed hole with tranverse bore	80	12	26	16	29	16,6	6,5	M6	-	-
K1520.1001016	black	A	reamed hole with tranverse bore	100	10	28	17	33	17,5	5,5	M6	-	-
K1520.1001216	black	A	reamed hole with tranverse bore	100	12	28	17	33	17,5	6,5	M6	-	-
K1520.1251216	black	A	reamed hole with tranverse bore	125	12	31	18	36	18,3	6,5	M6	-	-
K1520.1251416	black	A	reamed hole with tranverse bore	125	14	31	18	36	18,3	6,5	M6	-	-
K1520.0801026	silver	A	reamed hole with tranverse bore	80	10	26	16	29	16,6	5,5	M6	-	-
K1520.0801226	silver	A	reamed hole with tranverse bore	80	12	26	16	29	16,6	6,5	M6	-	-
K1520.1001026	silver	A	reamed hole with tranverse bore	100	10	28	17	33	17,5	5,5	M6	-	-
K1520.1001226	silver	A	reamed hole with tranverse bore	100	12	28	17	33	17,5	6,5	M6	-	-
K1520.1251226	silver	A	reamed hole with tranverse bore	125	12	31	18	36	18,3	6,5	M6	-	-
K1520.1251426	silver	A	reamed hole with tranverse bore	125	14	31	18	36	18,3	6,5	M6	-	-
K1520.080101036	black	B	reamed hole with slot, with tranverse bore	80	10	26	16	29	16,6	5,5	M6	3	11,4
K1520.080121046	black	B	reamed hole with slot, with tranverse bore	80	12	26	16	29	16,6	6,5	M6	4	13,8
K1520.100101036	black	B	reamed hole with slot, with tranverse bore	100	10	28	17	33	17,5	5,5	M6	3	11,4
K1520.100121046	black	B	reamed hole with slot, with tranverse bore	100	12	28	17	33	17,5	6,5	M6	4	13,8
K1520.125121046	black	B	reamed hole with slot, with tranverse bore	125	12	31	18	36	18,3	6,5	M6	4	13,8
K1520.125141056	black	B	reamed hole with slot, with tranverse bore	125	14	31	18	36	18,3	6,5	M6	5	16,3
K1520.080102036	silver	B	reamed hole with slot, with tranverse bore	80	10	26	16	29	16,6	5,5	M6	3	11,4
K1520.080122046	silver	B	reamed hole with slot, with tranverse bore	80	12	26	16	29	16,6	6,5	M6	4	13,8
K1520.100102036	silver	B	reamed hole with slot, with tranverse bore	100	10	28	17	33	17,5	5,5	M6	3	11,4
K1520.100122046	silver	B	reamed hole with slot, with tranverse bore	100	12	28	17	33	17,5	6,5	M6	4	13,8
K1520.125122046	silver	B	reamed hole with slot, with tranverse bore	125	12	31	18	36	18,3	6,5	M6	4	13,8
K1520.125142056	silver	B	reamed hole with slot, with tranverse bore	125	14	31	18	36	18,3	6,5	M6	5	16,3
K1520.080101013	black	C	reamed hole with slot	80	10	26	16	29	16,6	-	-	3	11,4
K1520.08012104	black	C	reamed hole with slot	80	12	26	16	29	16,6	-	-	4	13,8
K1520.10010103	black	C	reamed hole with slot	100	10	28	17	33	17,5	-	-	3	11,4
K1520.10012104	black	C	reamed hole with slot	100	12	28	17	33	17,5	-	-	4	13,8
K1520.12512104	black	C	reamed hole with slot	125	12	31	18	36	18,3	-	-	4	13,8
K1520.12514105	black	C	reamed hole with slot	125	14	31	18	36	18,3	-	-	5	16,3
K1520.08010203	silver	C	reamed hole with slot	80	10	26	16	29	16,6	-	-	3	11,4
K1520.08012204	silver	C	reamed hole with slot	80	12	26	16	29	16,6	-	-	4	13,8
K1520.10010203	silver	C	reamed hole with slot	100	10	28	17	33	17,5	-	-	3	11,4
K1520.10012204	silver	C	reamed hole with slot	100	12	28	17	33	17,5	-	-	4	13,8
K1520.12512204	silver	C	reamed hole with slot	125	12	31	18	36	18,3	-	-	4	13,8
K1520.12514205	silver	C	reamed hole with slot	125	14	31	18	36	18,3	-	-	5	16,3
K1520.080101	black	E	with reamed hole	80	10	26	16	29	16,6	-	-	-	-
K1520.080121	black	E	with reamed hole	80	12	26	16	29	16,6	-	-	-	-
K1520.100101	black	E	with reamed hole	100	10	28	17	33	17,5	-	-	-	-
K1520.100121	black	E	with reamed hole	100	12	28	17	33	17,5	-	-	-	-
K1520.125121	black	E	with reamed hole	125	12	31	18	36	18,3	-	-	-	-
K1520.125141	black	E	with reamed hole	125	14	31	18	36	18,3	-	-	-	-
K1520.080102	silver	E	with reamed hole	80	10	26	16	29	16,6	-	-	-	-
K1520.080122	silver	E	with reamed hole	80	12	26	16	29	16,6	-	-	-	-
K1520.100102	silver	E	with reamed hole	100	10	28	17	33	17,5	-	-	-	-
K1520.100122	silver	E	with reamed hole	100	12	28	17	33	17,5	-	-	-	-
K1520.125122	silver	E	with reamed hole	125	12	31	18	36	18,3	-	-	-	-
K1520.125142	silver	E	with reamed hole	125	14	31	18	36	18,3	-	-	-	-