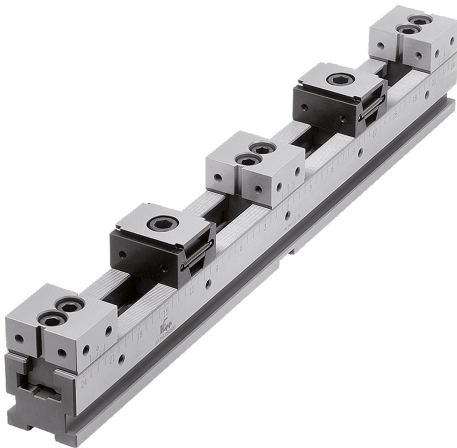


# Multi-clamping system double-sided wedge clamps Fixed jaw DS

## Item description/product images



## Description

### Material:

Clamping rail and fixed jaw tool steel.  
Wedge clamp mild steel.

### Version:

Clamping rail and fixed jaw hardened and ground (HRC 55 ±2).  
Wedge clamp hardened, phosphated.

### Note:

The multi-clamping system can be fastened using various interfaces.

1. Lateral clamping edge for clamping claw set. Claw clamps can be fastened at any position.
2. Holes for DIN cap screws.
3. Ø25 mm locating holes for conventional zero-point clamping systems with 200 mm spacing.
4. Ø16 mm locating holes for zero-point clamping systems with 96 mm spacing.
5. Three 18H7 alignment slots for crosswise and lengthwise alignment on T- slot tables.
6. Ø12F7 and Ø16F7 reamed holes for 40 and 50 mm grid systems.

Three different versions are available:

- Multi-clamping system double-sided wedge clamp with OS fixed jaw / K1828.
- Multi-clamping system double-sided wedge clamp with DS fixed jaw / K1829.
- Multi-clamping system single-sided wedge clamp with OS fixed jaw / K1830.

### Application:

A number of multi-clamping systems with different lengths can be mounted one behind the other or beside each other. The precision toothing enables highly precise positioning of the fixed jaws. Due to the lateral graduations on the clamping rails, each position of the fixed jaws can be documented and reset identically. Stops can be mounted in the tapped holes on the side.

Turning the clamping screw moves the clamping segments outwards and press the workpieces against the fixed jaw.

### Advantages:

Universal and flexible.

For small and large batch sizes.

Large components can also be clamped next to each other on several multiple clamping systems.

### Supplied with:

- 1x clamping rail.
- 2x double-sided wedge clamps.
- 3x fixed jaws DS.

### Accessory:

Clamping pin K0967.

Cap screws K0869.10X30.

Cap screws K0869.12X25.

Shoulder screws K0815.12045 / K0815.16055.

Seating ledges K1752.

Attachment jaws with machining allowance K1753.

Attachment jaws with prism K1754.

Maximum workpiece sizes for the types double-sided wedge clamp and fixed jaw DS

Clamping rails	1 pcs.		2 pcs.	
	B=50	B=50	B=50	B=50
L=300	154	92		
L=400	263	131		
L=500	365	182		
L=600	464	232		
L=700	563	291		

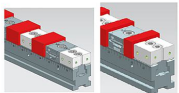
Clamping rails	3 pcs.		4 pcs.	
	B=50	B=50	B=50	B=50
L=300	24	18		
L=400	57	43		
L=500	91	68		
L=600	124	93		
L=700	157	118		

Clamping rails	5 pcs.		6 pcs.	
	B=50	B=50	B=50	B=50
L=300	-	-		
L=400	16	13		
L=500	36	30		
L=600	56	47		
L=700	76	63		

Clamping rails	7 pcs.		8 pcs.	
	B=50	B=50	B=50	B=50
L=300	-	-		
L=400	-	-		
L=500	13	11		
L=600	27	24		
L=700	41	36		



Combination of clamping rails for multi-clamping system K1746.  
Wedge clamp K1748 and  
Fixed jaw DS for multi-clamping system K1751.

## Multi-clamping system double-sided wedge clamps Fixed jaw DS

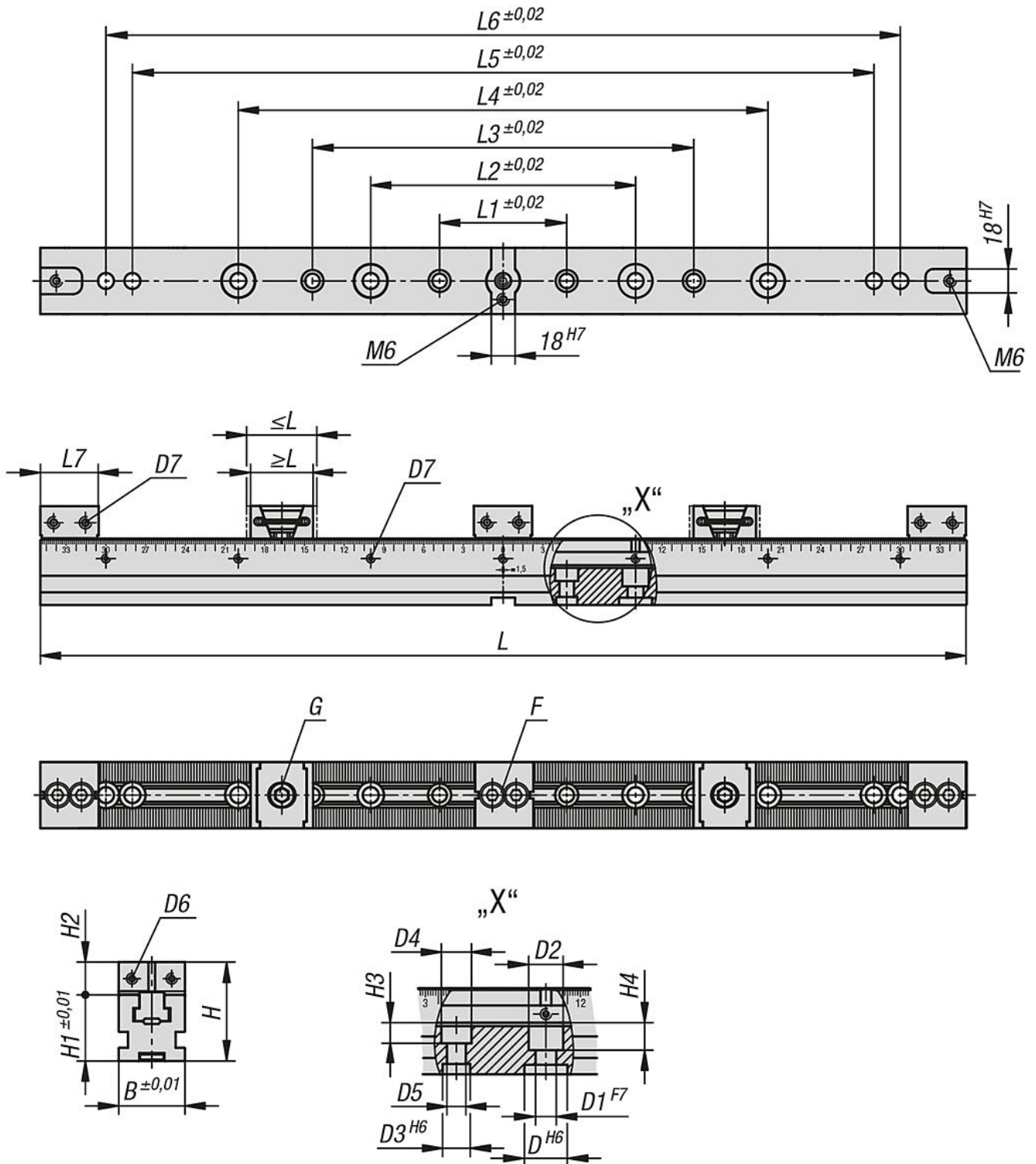
### Item description/product images

---

Workpiece stop K1755.  
Spacer K1756.  
Clamping claw set K1757.  
T-slot nut K1758.  
T-slot key K0954.

Multi-clamping system double-sided wedge clamps Fixed jaw DS

Drawings



Overview of items

Multi-clamping system double-sided wedge clamps, fixed jaw DS

# Multi-clamping system double-sided wedge clamps Fixed jaw DS

## Overview of items

Order No.	Version 1	L	B	H	L min.	L max.	L1	L2	L3	L4	L5	L6	L7
K1829.05030001	smooth	300	50	75	44,5	50,5	96	200	-	-	-	-	44
K1829.05040001	smooth	400	50	75	44,5	50,5	96	200	288	300	-	-	44
K1829.05050001	smooth	500	50	75	44,5	50,5	96	200	288	400	-	-	44
K1829.05060001	smooth	600	50	75	44,5	50,5	96	200	288	400	500	-	44
K1829.05070001	smooth	700	50	75	44,5	50,5	96	200	288	400	560	600	44
K1829.05030002	serrated	300	50	75	44,5	50,5	96	200	-	-	-	-	44
K1829.05040002	serrated	400	50	75	44,5	50,5	96	200	288	300	-	-	44
K1829.05050002	serrated	500	50	75	44,5	50,5	96	200	288	400	-	-	44
K1829.05060002	serrated	600	50	75	44,5	50,5	96	200	288	400	500	-	44
K1829.05070002	serrated	700	50	75	44,5	50,5	96	200	288	400	560	600	44

Order No.	Version 1	D	D1	D2	D3	D4	D5	D6	D7	H1	H2	H3	H4	F Socket head screw DIN 912	G cap screw DIN 912
K1829.05030001	smooth	25	12	20	16	17,5	11	M5	M6	50	25	12	16	M10x30	M12x25
K1829.05040001	smooth	25	12	20	16	17,5	11	M5	M6	50	25	12	16	M10x30	M12x25
K1829.05050001	smooth	25	12	20	16	17,5	11	M5	M6	50	25	12	16	M10x30	M12x25
K1829.05060001	smooth	25	12	20	16	17,5	11	M5	M6	50	25	12	16	M10x30	M12x25
K1829.05070001	smooth	25	12	20	16	17,5	11	M5	M6	50	25	12	16	M10x30	M12x25
K1829.05030002	serrated	25	12	20	16	17,5	11	M5	M6	50	25	12	16	M10x30	M12x25
K1829.05040002	serrated	25	12	20	16	17,5	11	M5	M6	50	25	12	16	M10x30	M12x25
K1829.05050002	serrated	25	12	20	16	17,5	11	M5	M6	50	25	12	16	M10x30	M12x25
K1829.05060002	serrated	25	12	20	16	17,5	11	M5	M6	50	25	12	16	M10x30	M12x25
K1829.05070002	serrated	25	12	20	16	17,5	11	M5	M6	50	25	12	16	M10x30	M12x25