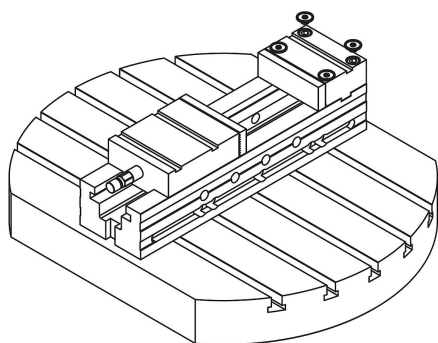
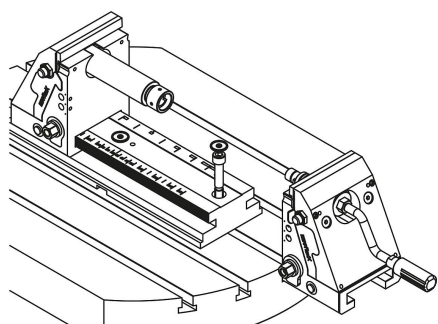


Aluminium cap for holes and screw heads with hex socket

Item description/product images



Description

Product description:

Using caps on the holes in the machining area reduces set-up times, as less time is required for cleaning, e.g. the accumulation of coolants in screw heads.

Material:

Aluminium cap.
Screw stainless steel,
O-ring NBR.

Version:

Cap black anodised.

Assembly:

Insert the cap into the hole or hexagon and tighten it with the help of a screwdriver until the screw head and the end face of the cap are flush.

Advantages:

Non-destructive reusable system.
Prevents swarf and coolant from building up and accumulating in screw heads and counterbores.
Quick and easy assembly and dismantling. Minimises the spraying of coolants when blowing out with compressed air.

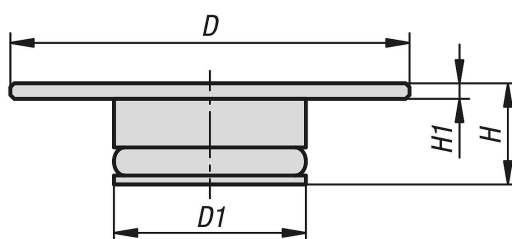
On request:

Individual versions and colours.

Accessory:

Socket head screws DIN 912.

Drawings



Aluminium cap for holes and screw heads with hex socket

Overview of items

Aluminium cap for holes and screw heads with hex socket

Order No.	D	D1	H	H1	G	Suitable for bores / hex sockets
K1798.02108	21	7,9	6,5	1	M10	8
K1798.02310	23	9,9	8,3	1	M12	10
K1798.02914	29	13,9	9	1,2	M16	14
K1798.03717	37	16,9	10,6	1,5	M20	17