

Hexagon socket button head screws with collar EN ISO 7380-2, Form B

Item description/product images



Description

Material:

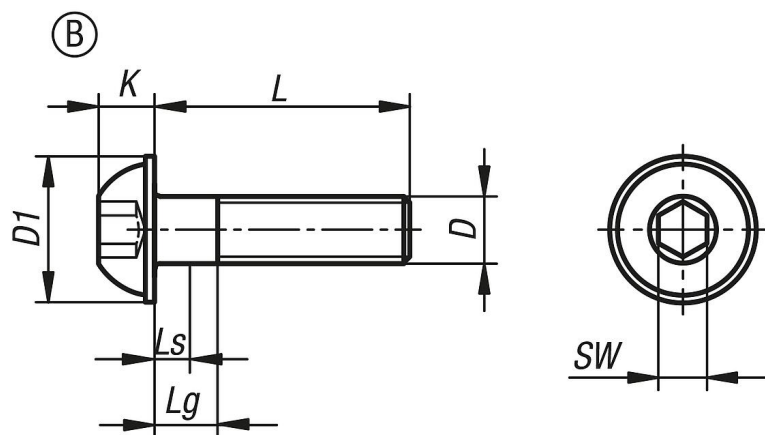
Steel or stainless steel A2.

Version:

Steel grade 10.9, bright (black) or electro zinc-plated.

Stainless steel A2-70, bright.

Drawings



Overview of items

Order No.	Form	Main material	Surface finish body	Grade	D	L	Ls min.	Lg max.	D1	K	SW
K1796.2304X8	B	steel	bright (black)	10.9	M4	8	0	2,1	9,4	2,2	2,5
K1796.2304X10	B	steel	bright (black)	10.9	M4	10	0	2,1	9,4	2,2	2,5
K1796.2304X12	B	steel	bright (black)	10.9	M4	12	0	2,1	9,4	2,2	2,5
K1796.2304X16	B	steel	bright (black)	10.9	M4	16	0	2,1	9,4	2,2	2,5
K1796.2304X20	B	steel	bright (black)	10.9	M4	20	0	2,1	9,4	2,2	2,5
K1796.2304X25	B	steel	bright (black)	10.9	M4	25	0	2,1	9,4	2,2	2,5
K1796.2304X30	B	steel	bright (black)	10.9	M4	30	6,5	10	9,4	2,2	2,5
K1796.2305X8	B	steel	bright (black)	10.9	M5	8	0	0,24	11,8	2,75	3
K1796.2305X10	B	steel	bright (black)	10.9	M5	10	0	0,24	11,8	2,75	3
K1796.2305X12	B	steel	bright (black)	10.9	M5	12	0	0,24	11,8	2,75	3
K1796.2305X16	B	steel	bright (black)	10.9	M5	16	0	0,24	11,8	2,75	3
K1796.2305X20	B	steel	bright (black)	10.9	M5	20	0	0,24	11,8	2,75	3
K1796.2305X25	B	steel	bright (black)	10.9	M5	25	0	0,24	11,8	2,75	3
K1796.2305X30	B	steel	bright (black)	10.9	M5	30	4	8	11,8	2,75	3
K1796.2305X35	B	steel	bright (black)	10.9	M5	35	9	13	11,8	2,75	3
K1796.2306X8	B	steel	bright (black)	10.9	M6	8	0	3	13,6	3,3	4
K1796.2306X10	B	steel	bright (black)	10.9	M6	10	0	3	13,6	3,3	4
K1796.2306X12	B	steel	bright (black)	10.9	M6	12	0	3	13,6	3,3	4
K1796.2306X16	B	steel	bright (black)	10.9	M6	16	0	3	13,6	3,3	4
K1796.2306X20	B	steel	bright (black)	10.9	M6	20	0	3	13,6	3,3	4
K1796.2306X25	B	steel	bright (black)	10.9	M6	25	0	3	13,6	3,3	4
K1796.2306X30	B	steel	bright (black)	10.9	M6	30	0	3	13,6	3,3	4
K1796.2306X35	B	steel	bright (black)	10.9	M6	35	6	11	13,6	3,3	4
K1796.2306X40	B	steel	bright (black)	10.9	M6	40	11	16	13,6	3,3	4
K1796.2308X12	B	steel	bright (black)	10.9	M8	12	0	3,75	17,8	4,4	5
K1796.2308X16	B	steel	bright (black)	10.9	M8	16	0	3,75	17,8	4,4	5
K1796.2308X20	B	steel	bright (black)	10.9	M8	20	0	3,75	17,8	4,4	5

Hexagon socket button head screws with collar EN ISO 7380-2, Form B

Overview of items

Order No.	Form	Main material	Surface finish body	Grade	D	L	ls min.	Lg max.	D1	K	SW
K1796.2308X25	B	steel	bright (black)	10.9	M8	25	0	3,75	17,8	4,4	5
K1796.2308X30	B	steel	bright (black)	10.9	M8	30	0	3,75	17,8	4,4	5
K1796.2308X35	B	steel	bright (black)	10.9	M8	35	0	3,75	17,8	4,4	5
K1796.2308X40	B	steel	bright (black)	10.9	M8	40	5,75	12	17,8	4,4	5
K1796.2308X50	B	steel	bright (black)	10.9	M8	50	15,75	22	17,8	4,4	5
K1796.2308X60	B	steel	bright (black)	10.9	M8	60	25,75	32	17,8	4,4	5
K1796.2310X25	B	steel	bright (black)	10.9	M10	25	0	4,5	21,9	5,5	6
K1796.2310X30	B	steel	bright (black)	10.9	M10	30	0	4,5	21,9	5,5	6
K1796.2310X35	B	steel	bright (black)	10.9	M10	35	0	4,5	21,9	5,5	6
K1796.2504X8	B	steel	galvanised	10.9	M4	8	0	2,1	9,4	2,2	2,5
K1796.2504X10	B	steel	galvanised	10.9	M4	10	0	2,1	9,4	2,2	2,5
K1796.2504X12	B	steel	galvanised	10.9	M4	12	0	2,1	9,4	2,2	2,5
K1796.2504X16	B	steel	galvanised	10.9	M4	16	0	2,1	9,4	2,2	2,5
K1796.2504X20	B	steel	galvanised	10.9	M4	20	0	2,1	9,4	2,2	2,5
K1796.2504X25	B	steel	galvanised	10.9	M4	25	0	2,1	9,4	2,2	2,5
K1796.2504X30	B	steel	galvanised	10.9	M4	30	6,5	10	9,4	2,2	2,5
K1796.2505X8	B	steel	galvanised	10.9	M5	8	0	2,4	11,8	2,75	3
K1796.2505X10	B	steel	galvanised	10.9	M5	10	0	2,4	11,8	2,75	3
K1796.2505X12	B	steel	galvanised	10.9	M5	12	0	2,4	11,8	2,75	3
K1796.2505X16	B	steel	galvanised	10.9	M5	16	0	2,4	11,8	2,75	3
K1796.2505X20	B	steel	galvanised	10.9	M5	20	0	2,4	11,8	2,75	3
K1796.2505X25	B	steel	galvanised	10.9	M5	25	0	2,4	11,8	2,75	3
K1796.2505X30	B	steel	galvanised	10.9	M5	30	4	8	11,8	2,75	3
K1796.2505X35	B	steel	galvanised	10.9	M5	35	9	13	11,8	2,75	3
K1796.2506X8	B	steel	galvanised	10.9	M6	8	0	3	13,6	3,3	4
K1796.2506X10	B	steel	galvanised	10.9	M6	10	0	3	13,6	3,3	4
K1796.2506X12	B	steel	galvanised	10.9	M6	12	0	3	13,6	3,3	4
K1796.2506X16	B	steel	galvanised	10.9	M6	16	0	3	13,6	3,3	4
K1796.2506X20	B	steel	galvanised	10.9	M6	20	0	3	13,6	3,3	4
K1796.2506X25	B	steel	galvanised	10.9	M6	25	0	3	13,6	3,3	4
K1796.2506X30	B	steel	galvanised	10.9	M6	30	0	3	13,6	3,3	4
K1796.2506X35	B	steel	galvanised	10.9	M6	35	6	11	13,6	3,3	4
K1796.2506X40	B	steel	galvanised	10.9	M6	40	11	16	13,6	3,3	4
K1796.2508X12	B	steel	galvanised	10.9	M8	12	0	3,75	17,8	4,4	5
K1796.2508X16	B	steel	galvanised	10.9	M8	16	0	3,75	17,8	4,4	5
K1796.2508X20	B	steel	galvanised	10.9	M8	20	0	3,75	17,8	4,4	5
K1796.2508X25	B	steel	galvanised	10.9	M8	25	0	3,75	17,8	4,4	5
K1796.2508X30	B	steel	galvanised	10.9	M8	30	0	3,75	17,8	4,4	5
K1796.2508X35	B	steel	galvanised	10.9	M8	35	0	3,75	17,8	4,4	5
K1796.2508X40	B	steel	galvanised	10.9	M8	40	5,75	12	17,8	4,4	5
K1796.2508X50	B	steel	galvanised	10.9	M8	50	15,75	22	17,8	4,4	5
K1796.2508X60	B	steel	galvanised	10.9	M8	60	25,75	32	17,8	4,4	5
K1796.2510X20	B	steel	galvanised	10.9	M10	20	0	4,5	21,9	5,5	6
K1796.2510X30	B	steel	galvanised	10.9	M10	30	0	4,5	21,9	5,5	6
K1796.2510X35	B	steel	galvanised	10.9	M10	35	0	4,5	21,9	5,5	6
K1796.2510X40	B	steel	galvanised	10.9	M10	40	0	4,5	21,9	5,5	6
K1796.2510X50	B	steel	galvanised	10.9	M10	50	10,5	18	21,9	5,5	6
K1796.2512X20	B	steel	galvanised	10.9	M12	20	0	5,25	26	6,6	8
K1796.2512X25	B	steel	galvanised	10.9	M12	25	0	5,25	26	6,6	8
K1796.2512X30	B	steel	galvanised	10.9	M12	30	0	5,25	26	6,6	8
K1796.2512X40	B	steel	galvanised	10.9	M12	40	0	5,25	26	6,6	8
K1796.2512X50	B	steel	galvanised	10.9	M12	50	0	5,25	26	6,6	8
K1796.2512X60	B	steel	galvanised	10.9	M12	60	15,25	24	26	6,6	8
K1796.2103X8	B	stainless steel A2	bright	70	M3	8	0	1,5	6,9	1,65	2
K1796.2103X10	B	stainless steel A2	bright	70	M3	10	0	1,5	6,9	1,65	2
K1796.2104X8	B	stainless steel A2	bright	70	M4	8	0	2,1	9,4	2,2	2,5
K1796.2104X10	B	stainless steel A2	bright	70	M4	10	0	2,1	9,4	2,2	2,5
K1796.2104X12	B	stainless steel A2	bright	70	M4	12	0	2,1	9,4	2,2	2,5
K1796.2104X16	B	stainless steel A2	bright	70	M4	16	0	2,1	9,4	2,2	2,5
K1796.2104X20	B	stainless steel A2	bright	70	M4	20	0	2,1	9,4	2,2	2,5
K1796.2104X25	B	stainless steel A2	bright	70	M4	25	0	2,1	9,4	2,2	2,5
K1796.2105X8	B	stainless steel A2	bright	70	M5	8	0	2,4	11,8	2,75	3

Hexagon socket button head screws with collar EN ISO 7380-2, Form B

Overview of items

Order No.	Form	Main material	Surface finish body	Grade	D	L	Ls min.	Lg max.	D1	K	SW
K1796.2105X10	B	stainless steel A2	bright	70	M5	10	0	2,4	11,8	2,75	3
K1796.2105X12	B	stainless steel A2	bright	70	M5	12	0	2,4	11,8	2,75	3
K1796.2105X16	B	stainless steel A2	bright	70	M5	16	0	2,4	11,8	2,75	3
K1796.2105X20	B	stainless steel A2	bright	70	M5	20	0	2,4	11,8	2,75	3
K1796.2105X25	B	stainless steel A2	bright	70	M5	25	0	2,4	11,8	2,75	3
K1796.2106X8	B	stainless steel A2	bright	70	M6	8	0	3	13,6	3,3	4
K1796.2106X10	B	stainless steel A2	bright	70	M6	10	0	3	13,6	3,3	4
K1796.2106X12	B	stainless steel A2	bright	70	M6	12	0	3	13,6	3,3	4
K1796.2106X16	B	stainless steel A2	bright	70	M6	16	0	3	13,6	3,3	4
K1796.2106X20	B	stainless steel A2	bright	70	M6	20	0	3	13,6	3,3	4
K1796.2106X25	B	stainless steel A2	bright	70	M6	25	0	3	13,6	3,3	4
K1796.2106X30	B	stainless steel A2	bright	70	M6	30	0	3	13,6	3,3	4
K1796.2106X35	B	stainless steel A2	bright	70	M6	35	6	11	13,6	3,3	4
K1796.2106X40	B	stainless steel A2	bright	70	M6	40	11	6	13,6	3,3	4
K1796.2106X45	B	stainless steel A2	bright	70	M6	45	16	21	13,6	3,3	4
K1796.2108X10	B	stainless steel A2	bright	70	M8	10	0	3,75	17,8	4,4	5
K1796.2108X12	B	stainless steel A2	bright	70	M8	12	0	3,75	17,8	4,4	5
K1796.2108X16	B	stainless steel A2	bright	70	M8	16	0	3,75	17,8	4,4	5
K1796.2108X20	B	stainless steel A2	bright	70	M8	20	0	3,75	17,8	4,4	5
K1796.2108X25	B	stainless steel A2	bright	70	M8	25	0	3,75	17,8	4,4	5