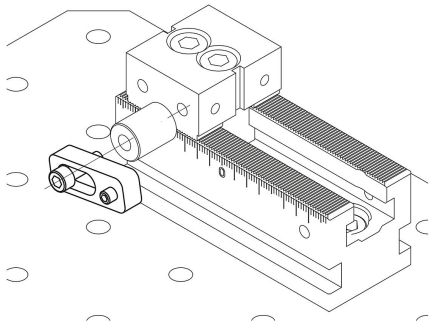


Workpiece stops for multi-clamping system

Item description/product images



Description

Material:
Carbon steel.

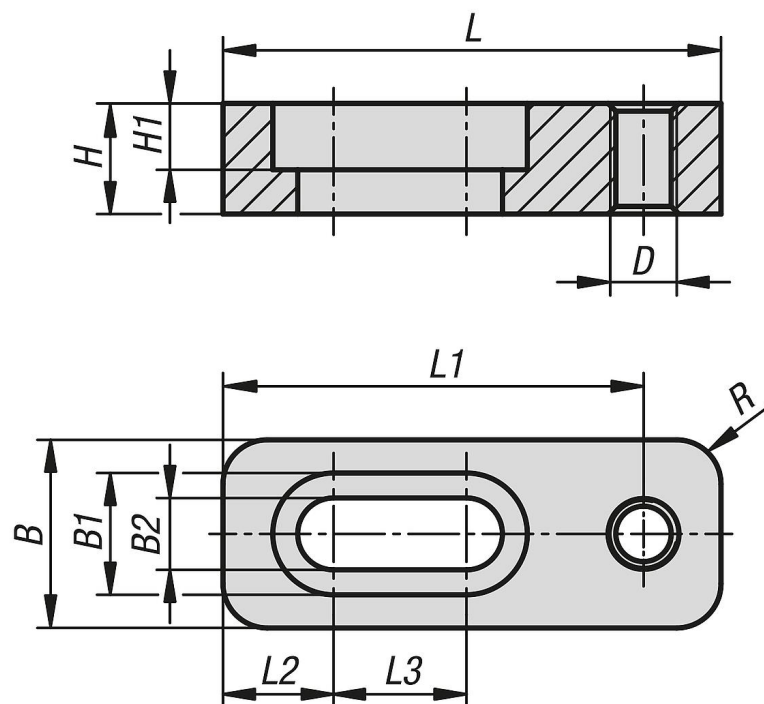
Version:
Tempered and flat faces ground (HRC 32).

Note:
Workpieces can be positioned laterally using the workpiece stops for multi-clamping systems.

Application:
The end stop can be mounted laterally on both surfaces of the fixed jaws.

Advantages:
Flexible adjustment with the elongated hole.

Drawings



Overview of items

Workpiece stops for multi-clamping system

Workpiece stops for multi-clamping system

Overview of items

Order No.	suitable for system width	L	B	H	L1	L2	L3	B1	B2	H1	R	D Internal thread
K1755.05045	50	45	17	10	38	10	12	11	6,5	6	4	M6