

# Angle joints stainless steel like DIN 71802, Form CS with sealing cap

## Item description/product images



## Description

### Product description:

Ball joints are corner connections for force transmission and are used as a connecting element for moving parts.

Ball joints with sealing cap have special application in problematic ambient conditions (dust, lubricants etc.). In this case, the space between spherical seat and ball stud is covered and sealed by a sealing cap.

### Material:

Stainless steel 1.4305.

Neoprene seal.

### Version:

Bright.

### Note:

LH thread refers to dimension D2.

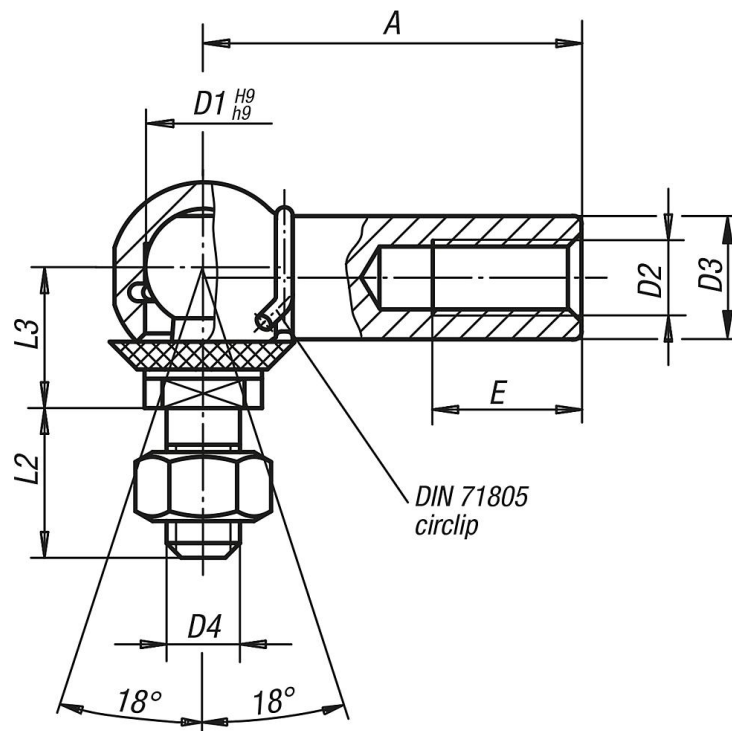
### Temperature range:

-30°C to +110°C.

Brief use in temperatures up to 140 °C.

## Drawings

Form CS  
with circlip



## Angle joints stainless steel like DIN 71802, Form CS with sealing cap

### Overview of items

Order No.	Form	Version 2	Main material	D1	D2	D3	D4	A	L2	L3	E	SW
K0734.108051	CS	LH thread	stainless steel	8	M5	8	M5	22	10,2	9	10,2	7
K0734.108052	CS	RH thread	stainless steel	8	M5	8	M5	22	10,2	9	10,2	7
K0734.110061	CS	LH thread	stainless steel	10	M6	10	M6	25	12,5	11	11,5	8
K0734.110062	CS	RH thread	stainless steel	10	M6	10	M6	25	12,5	11	11,5	8
K0734.113081	CS	LH thread	stainless steel	13	M8	13	M8	30	16,5	13	14	11
K0734.113082	CS	RH thread	stainless steel	13	M8	13	M8	30	16,5	13	14	11
K0734.116101	CS	LH thread	stainless steel	16	M10	16	M10	35	20	16	15,5	13
K0734.116102	CS	RH thread	stainless steel	16	M10	16	M10	35	20	16	15,5	13
K0734.116121	CS	LH thread	stainless steel	16	M12	16	M12	35	20	16	15,5	13
K0734.116122	CS	RH thread	stainless steel	16	M12	16	M12	35	20	16	15,5	13