

# Barrel locks with return spring steel or brass bevel up or down

## Item description/product images



### Description

#### Material:

Steel or brass.

#### Version:

Steel zinc-plated.

Brass chromed.

#### Note:

Barrel locks with return spring can be easily screwed onto doors, hatches and hoods. These locks are available in two different variants: bevelled upward or bevelled downward. The bevelled surface allows the application to be closed or opened without actuating the grip. The integrated return spring always brings the grip back to its original position.

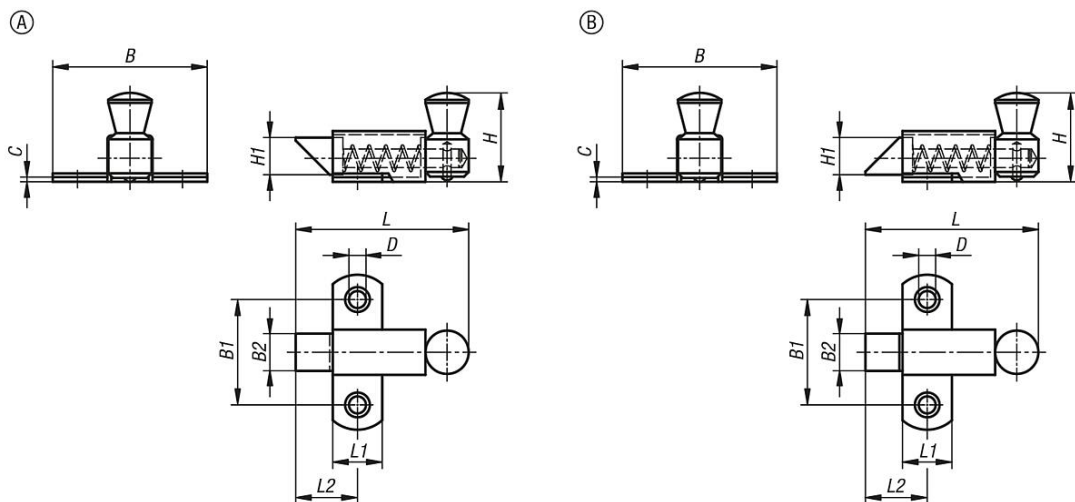
#### Type of operation:

When the grip is pushed, the barrel moves into the open position and the door can be opened. When the door is pushed to, it is locked automatically by the bevel.

#### Accessory:

Locking plate steel or brass K1669.

## Drawings



## Overview of items

### Barrel locks with return spring steel or brass

Order No.	Form	Form definition	Main material	Surface finish body	B	B1	B2	C	D	H	H1	L	L1	L2
K1668.036350	A	bevel up	steel	galvanised	35	23	8	1,2	3,5	19	8	36,5	11	13,5
K1668.056500	A	bevel up	steel	galvanised	50	34	12	1,5	4,8	29,5	12	56	16	19
K1668.073700	A	bevel up	steel	galvanised	70	45	16	2	7	38	16	73	22	28
K1668.136350	B	bevel down	steel	galvanised	35	23	8	1,2	3,5	19	8	36,5	11	13,5
K1668.156500	B	bevel down	steel	galvanised	50	34	12	1,5	4,8	29,5	12	56	16	19
K1668.173700	B	bevel down	steel	galvanised	70	45	16	2	7	38	16	73	22	28
K1668.036351	A	bevel up	brass	chromed	35	23	8	1,2	3,5	19	8	36,5	11	13,5
K1668.056501	A	bevel up	brass	chromed	50	34	12	1,5	4,8	29,5	12	56	16	19
K1668.073701	A	bevel up	brass	chromed	70	45	16	2	7	38	16	73	22	28

## Barrel locks with return spring steel or brass bevel up or down

### Overview of items

Order No.	Form	Form definition	Main material	Surface finish body	B	B1	B2	C	D	H	H1	L	L1	L2
<b>K1668.136351</b>	B	bevel down	brass	chromed	35	23	8	1,2	3,5	19	8	36,5	11	13,5
<b>K1668.156501</b>	B	bevel down	brass	chromed	50	34	12	1,5	4,8	29,5	12	56	16	19
<b>K1668.173701</b>	B	bevel down	brass	chromed	70	45	16	2	7	38	16	73	22	28