

Wheels polyamide

Item description/product images



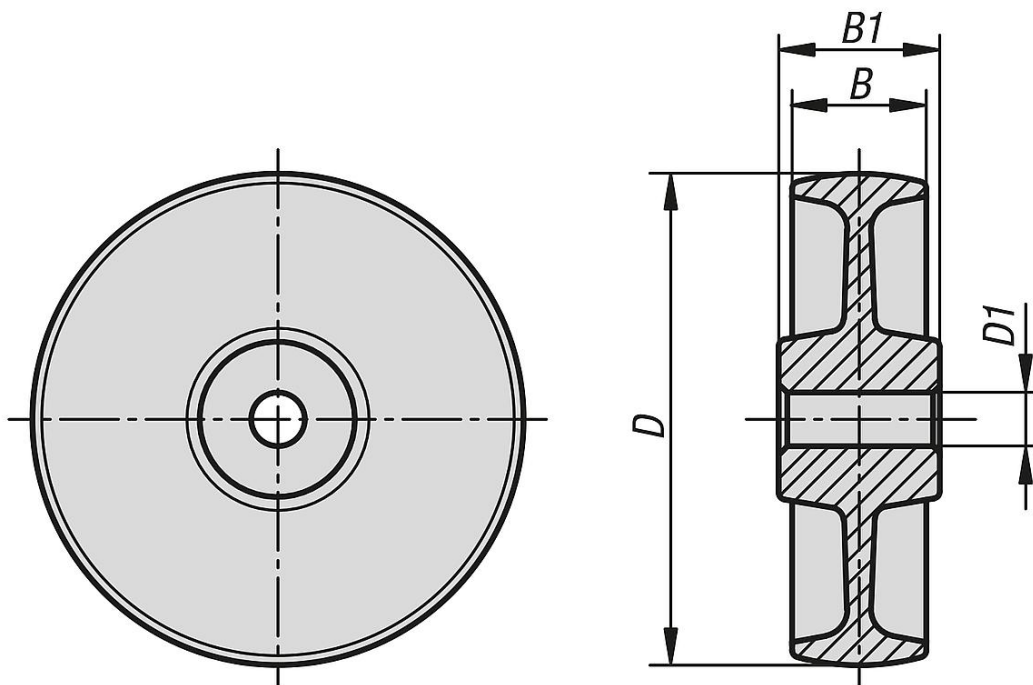
Description

Material:
Polyamide

Note:

Polyamide wheels are unbreakable, non-corroding, shock and impact proof and chemical resistant. They also have high abrasion resistance and low roll resistance. Other sizes or with ball bearing on request.

Drawings



Overview of items

Wheels polyamide

| Order No. | Wheel bearing | D | D1 | B | B1 | Permissible load kg |
|-------------|---------------|-----|----|----|----|---------------------|
| K1783.07532 | plain bearing | 75 | 12 | 32 | 35 | 200 |
| K1783.10037 | plain bearing | 100 | 15 | 37 | 45 | 280 |
| K1783.12540 | plain bearing | 125 | 15 | 40 | 45 | 300 |
| K1783.15050 | plain bearing | 150 | 20 | 50 | 60 | 400 |
| K1783.20050 | plain bearing | 200 | 20 | 50 | 60 | 600 |

