

Swivel and fixed castors stainless steel, for sterile areas

Item description/product images



Description

Material:

Housing stainless steel 1.4301.
Wheel rim, high-quality thermoplastic polyurethane.
Wheel tread, high-quality polyamide.

Version:

Housing press formed.
Double ball bearing in the castor head.
Plain bearing in wheels.

Note:

Wheel axle bolted.
Swivel and fixed castors with mounting plate.

Application:

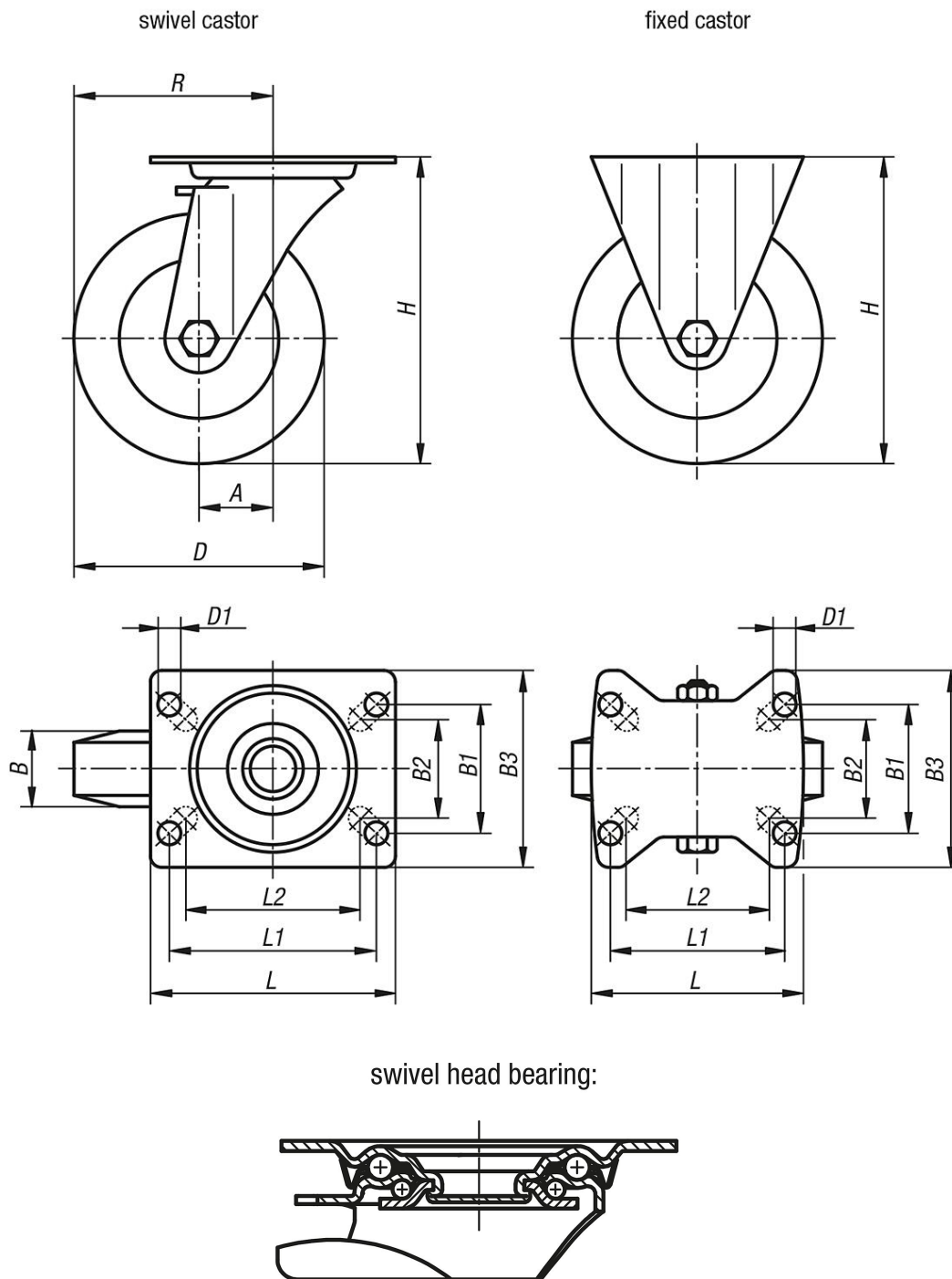
Loads can be transported with low noise and maximum ease in area's with high hygiene requirements.

Temperature range:

-20 °C - +70 °C.

Swivel and fixed castors stainless steel, for sterile areas

Drawings



Overview of items

Swivel and fixed castors stainless steel, for sterile areas

Order No.	Item	Version 1	Wheel bearing	A	B	B1	B2	B3	D	D1	H	L	L1	L2	R	Permissible load kg
K1790.211000351	Fixed castor	without locking system	plain bearing	-	35	60	55	85	100	9	125	100	80	76	-	200
K1790.211250401	Fixed castor	without locking system	plain bearing	-	40	60	55	85	125	9	150	100	80	76	-	250
K1790.211600451	Fixed castor	without locking system	plain bearing	-	45	80	75	110	160	11	195	140	105	-	-	400
K1790.212000501	Fixed castor	without locking system	plain bearing	-	50	80	75	110	200	11	235	140	105	-	-	400

Swivel and fixed castors stainless steel, for sterile areas

Overview of items

Order No.	Item	Version 1	Wheel bearing	A	B	B1	B2	B3	D	D1	H	L	L1	L2	R	Permissible load kg
K1790.21100035	Swivel castor	without locking system	plain bearing	30	35	60	55	85	100	9	125	100	80	76	80	200
K1790.21125040	Swivel castor	without locking system	plain bearing	40	40	60	55	85	125	9	150	100	80	76	102,5	250
K1790.21160045	Swivel castor	without locking system	plain bearing	60	45	80	75	110	160	11	195	140	105	-	140	400
K1790.21200050	Swivel castor	without locking system	plain bearing	65	50	80	75	110	200	11	235	140	105	-	165	400
K1790.211000352	Swivel castor	with stop-fix locking system	plain bearing	30	35	60	55	85	100	9	125	100	80	76	80	200
K1790.211250402	Swivel castor	with stop-fix locking system	plain bearing	40	40	60	55	85	125	9	150	100	80	76	102,5	250
K1790.211600452	Swivel castor	with stop-fix locking system	plain bearing	60	45	80	75	110	160	11	195	140	105	-	140	400
K1790.212000502	Swivel castor	with stop-fix locking system	plain bearing	65	50	80	75	110	200	11	235	140	105	-	165	400